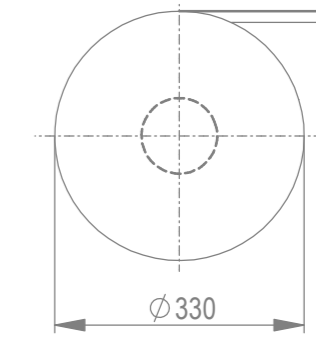
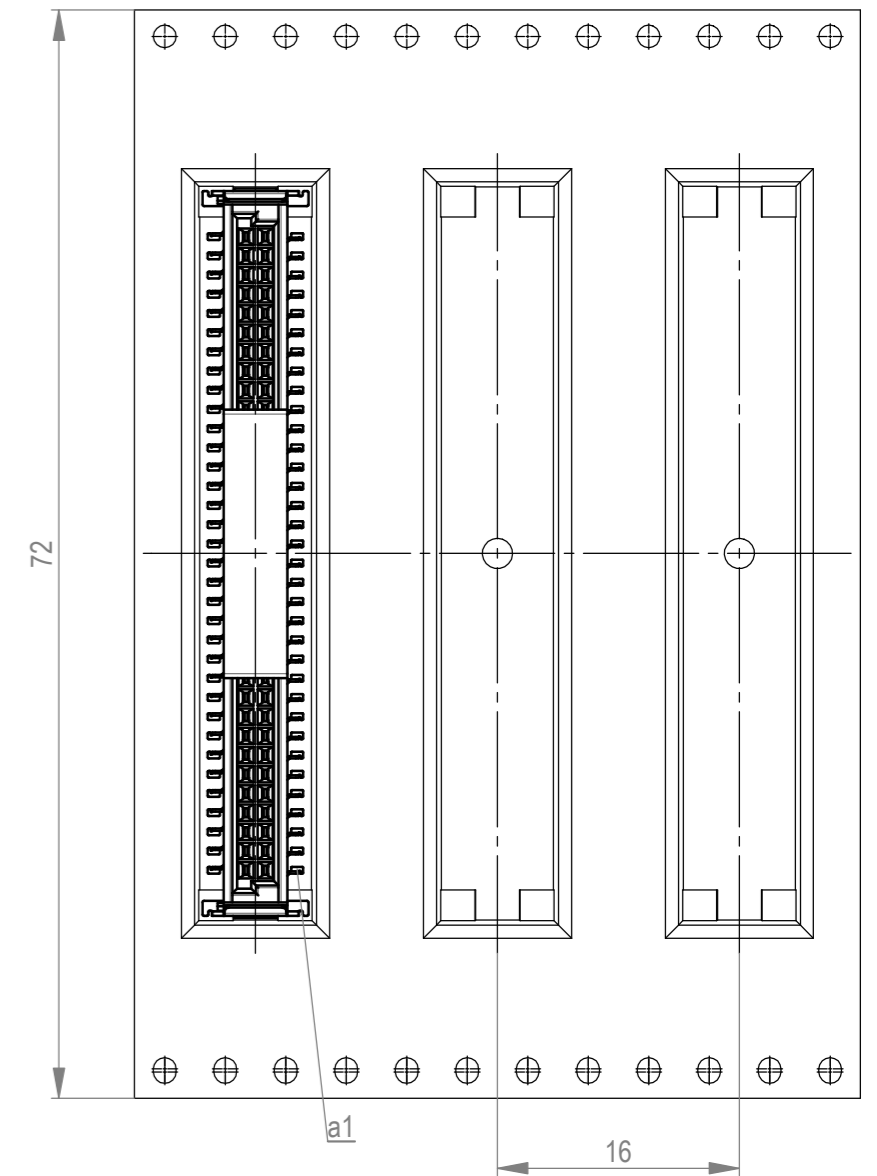


Verpackt im Gurt in Anlehnung an DIN IEC 60286-3
 tape on reel packaging according to DIN IEC 60286-3
 Verpackungseinheit: 280 Stück
 packaging unit: 280 pcs



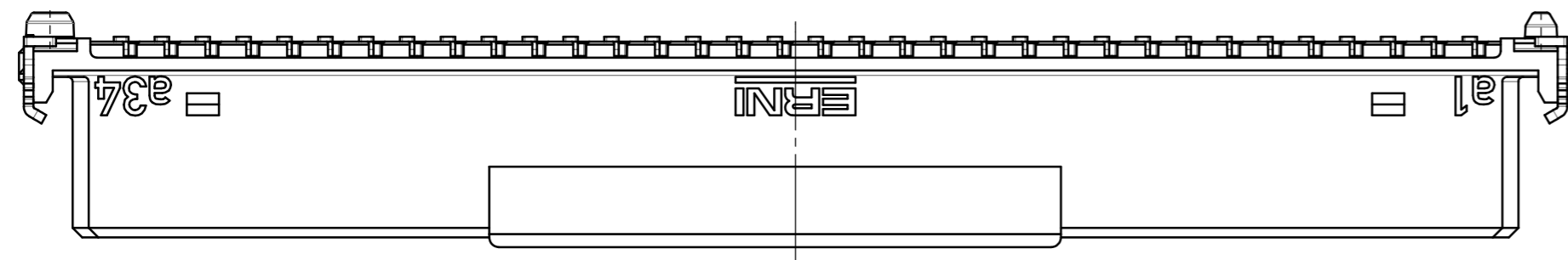
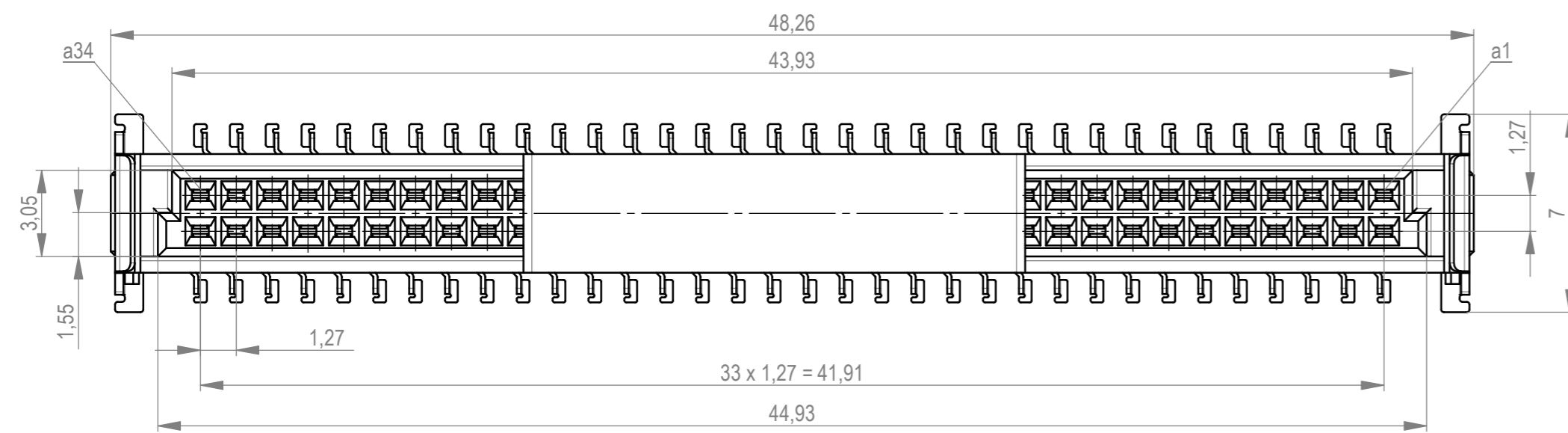
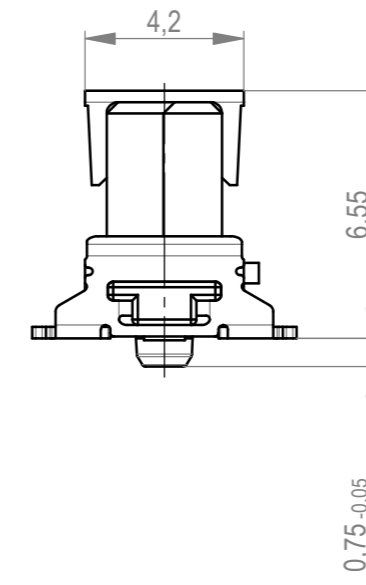
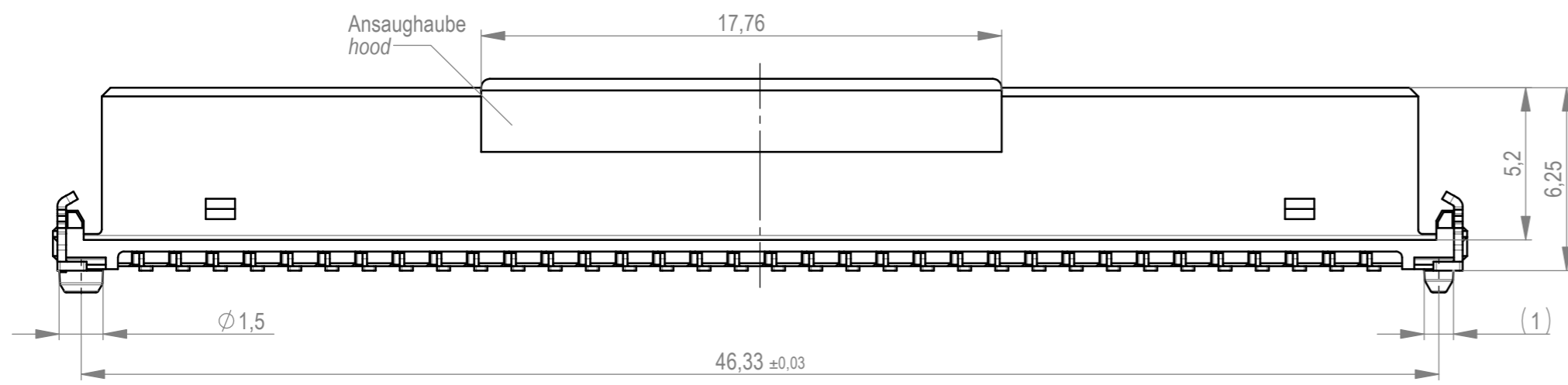
Abspulrichtung - reel off direction



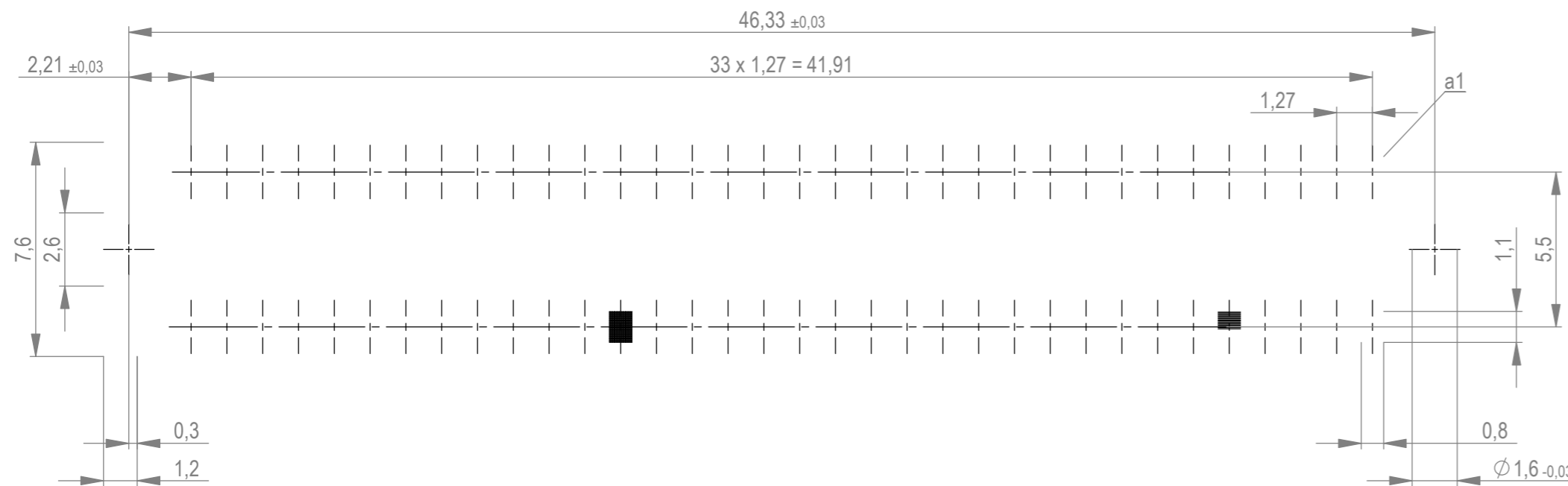
Anforderungsstufe 1
 performance level 1
 Kontaktbereich vergoldet
 mating area gold plating
 Anschlussbereich verzinkt 4-6 µm
 terminal area 4-6 µm tin plating
 Koplanarität der Anschlüsse ≤ 0,1 mm
 coplanarity area of termination ≤ 0,1 mm

BA 7-13 - 8mm Bauhöhe
 type7-13 - low profile

Dimension no.	Tolerances ISO 8015	Scale 5:1 Material
Customer drawing: This Drawing is a controlled Document.	Subject to modification without prior notice. Drawing will not be updated.	Federl. SMC-B 68-SMD-BA7-13 Female SMC-B 68-SMD-type7-13
f1 Index	12.05.2023 Date	TE Connectivity Class SMCB
		C A2



Leiterplatten-Layout Vorschlag für SMT
 PCB-Layout Proposal for SMT



Die deutsche Version dieser Zeichnung dient nur zur Erleichterung der Handhabung. Bei Abweichungen vom englischen Original gilt das englische Original. This drawing has been created for convenience only and may deviate from the original.
 In case of any deviation the English version shall prevail.
 The English version of this drawing has been created for convenience only and may deviate from the original.
 In case of any deviation the English version shall prevail.
 The German version of this drawing has been created for convenience only and may deviate from the original.
 In case of any deviation the English version shall prevail.