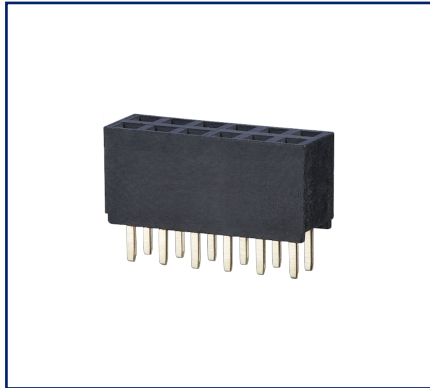
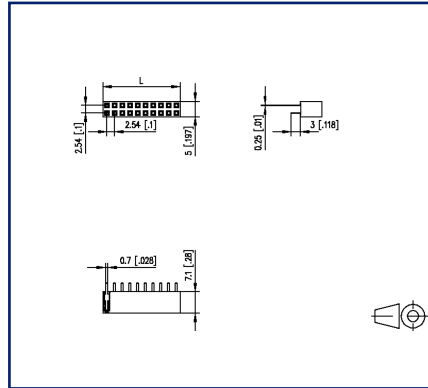


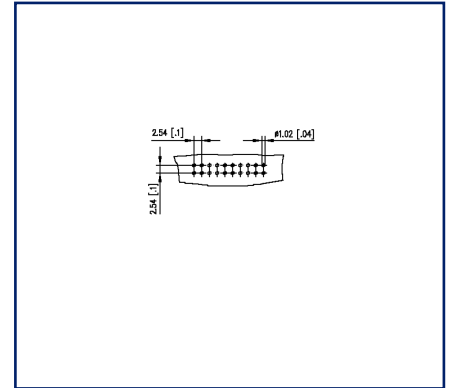
Illustrations



Dimensional drawing



Drill pattern



See enlarged drawings at the end of document

Product specification

- female connector, THR solderable
- centerline 2.54 mm, direction of connection vertical 0°
- closed ends
- color black
- dual rows
- Tape & Reel packaging possible

Technical Data**General Data**

Solder pin length	3 mm
min. number of poles	2
max. number of poles	40
Protection category	IP00
Rated current	3 A

Material

insulating material	PA6
contact material	CuZn
contact pin material	CuSn
contact pin surface	Ni + Au Flash
Glow-Wire Flammability GWFI	-
Glow-Wire Flammability GWIT	-

Climatic Data

upper limit temperature	105 °C
lower limit temperature	-40 °C

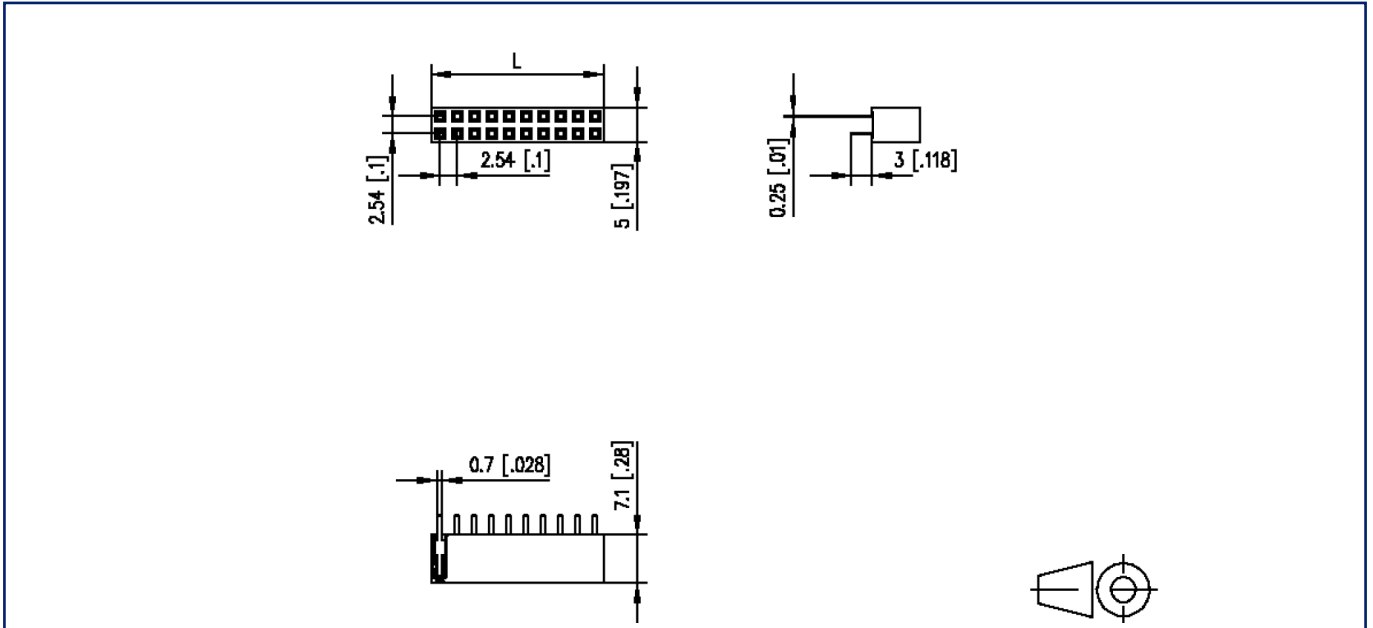
general

Tolerance	ISO 2768 -mH
Solderability	reflowable



Illustrations

Dimensional drawing



$L = (\text{pole size} - 1) \times \text{centerline} + 3.04 \text{ mm} [0.12]$

Illustrations

Drill pattern

