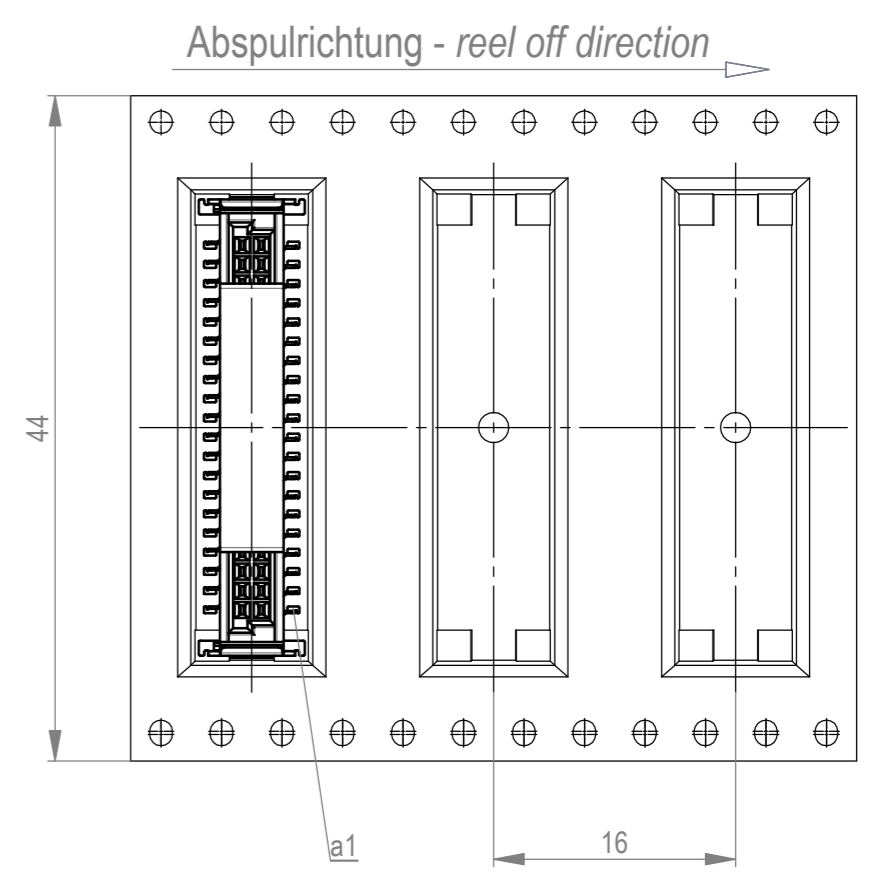
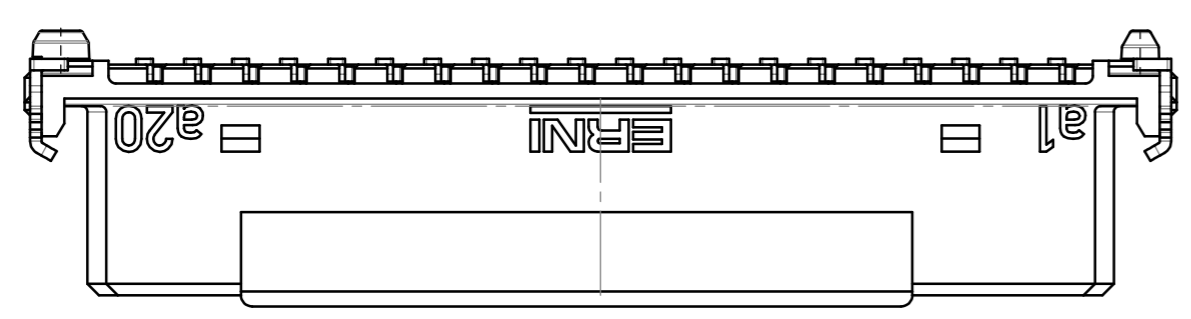
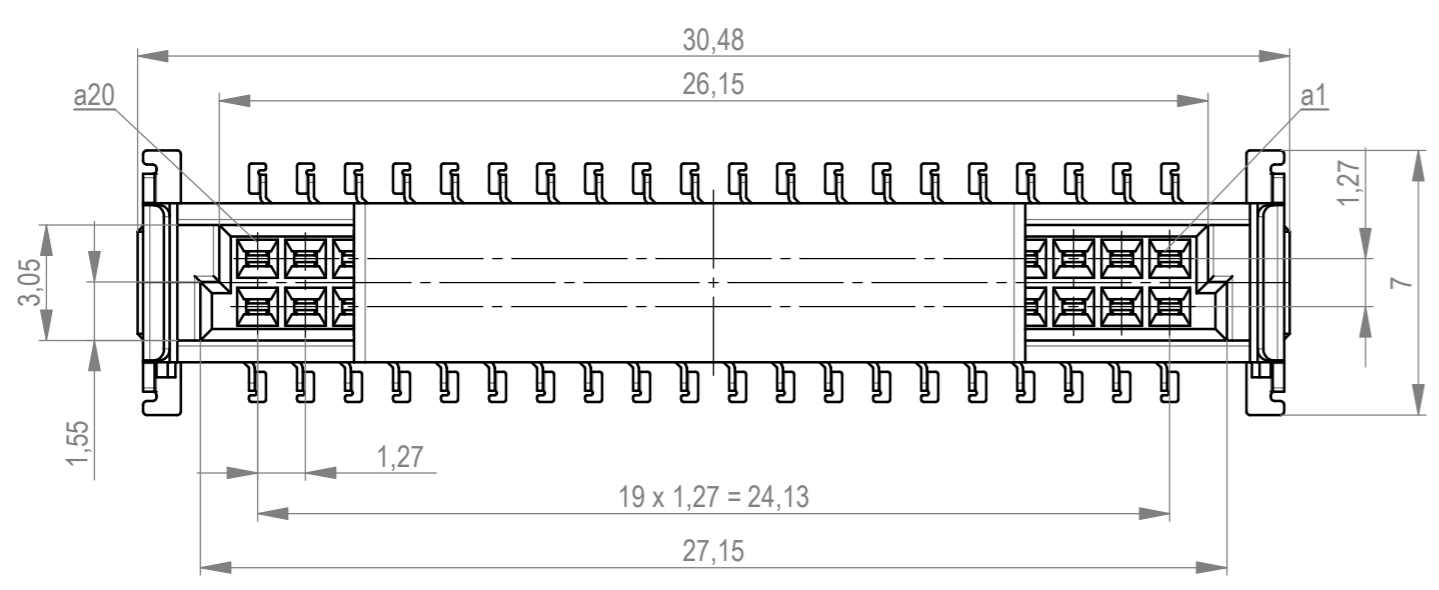
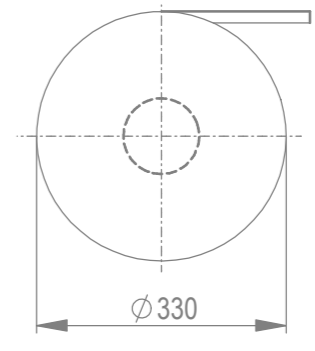
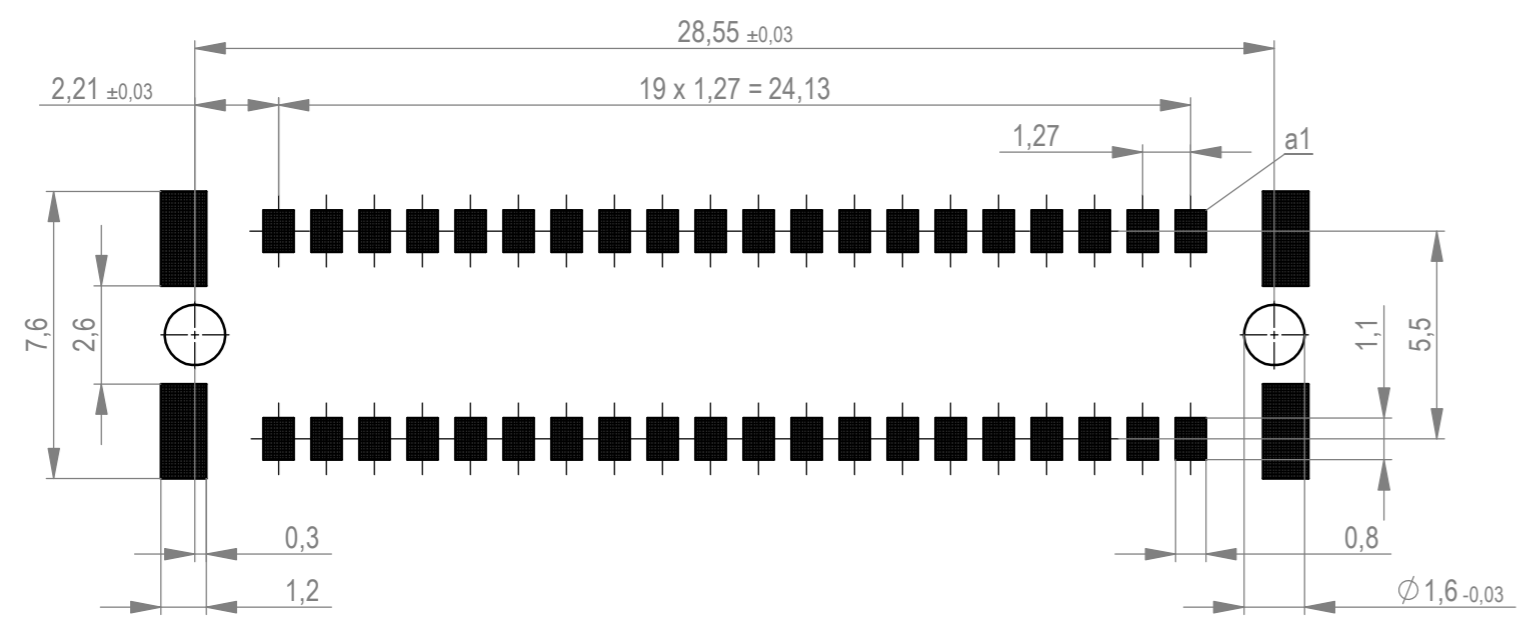


Verpackt im Gurt in Anlehnung an DIN IEC 60286-3
 tape on reel packaging according to DIN IEC 60286-3
 Verpackungseinheit: 280 Stück
 packaging unit: 280 pcs



Leiterplatten-Layout Vorschlag für SMT
 PCB-Layout Proposal for SMT



Anforderungsstufe 1
 performance level 1

Kontaktbereich vergoldet
 mating area gold plating

Anschlussbereich verzinkt 4-6 µm
 terminal area 4-6 µm tin plating

Koplanarität der Anschlüsse ≤ 0,1 mm
 coplanarity area of termination ≤ 0,1 mm

BA 7-13 - 8mm Bauhöhe
 type7-13 - low profile

Die deutsche Version dieser Zeichnung dient nur zur Erläuterung der Handlung. Bei Abweichungen vom englischen Original gilt das englische Original. This drawing has been created for convenience only and may deviate from the english original. In case of any deviation the English version shall prevail. All rights reserved for the event of the grant of a patent, utility model or design.

Dimension no.	Tolerances ISO 8015	Scale 5:1 Material	
Customer drawing: This Drawing is a controlled Document.	Subject to modification without prior notice. Drawing will not be updated.	Federl. SMC-B 40-SMD-BA7-13 Female SMC-B 40-SMD-type7-13	
c1 12.05.2023 Index Date		TE Connectivity Class SMCB	
		C-204632-E	
		C A2	