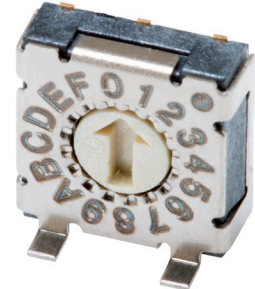


**SERIES:** RDS-7229-ASMT | **DESCRIPTION:** ROTARY DIP SWITCH**FEATURES**

- IP67 rated
- 4, 10, & 16 positions
- angled surface mount

**SPECIFICATIONS**

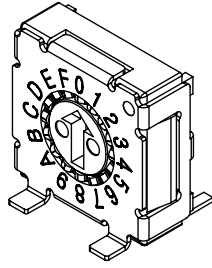
| parameter             | conditions/description                | min | typ    | max | units   |
|-----------------------|---------------------------------------|-----|--------|-----|---------|
| rated voltage         | switching                             |     |        | 50  | Vdc     |
|                       | non-switching                         |     |        | 50  | Vdc     |
| rated current         | switching                             |     |        | 100 | mA      |
|                       | non-switching                         |     |        | 100 | mA      |
| withstanding voltage  | for 1 minute                          |     | 250    |     | Vac     |
| contact resistance    |                                       |     |        | 100 | mΩ      |
| insulation resistance | at 100 Vdc                            | 100 |        |     | MΩ      |
| operating torque      |                                       |     |        | 200 | gf*cm   |
| actuator travel       | continuous rotation                   |     | 360    |     | degrees |
| operating temperature |                                       | -40 |        | 85  | °C      |
| storage temperature   |                                       | -40 |        | 85  | °C      |
| life                  | at 5 Vdc, 100 mA, 15~20 cycles/minute |     | 10,000 |     | steps   |
| flammability rating   | UL94V-0                               |     |        |     |         |
| RoHS                  | yes                                   |     |        |     |         |
| IP level              | IP67 (IEC 60529:2001)                 |     |        |     |         |

**PART NUMBER KEY**

|             |            |   |  |   |             |   |   |   |             |   |           |
|-------------|------------|---|--|---|-------------|---|---|---|-------------|---|-----------|
|             | <b>RDS</b> | - | <b>XXS</b>   | - | <b>7229</b> | - | <b>X</b>  | - | <b>ASMT</b> | - | <b>TR</b> |
| Base Number |            |   | No. of Positions:<br>4 = 4 Positions<br>10 = 10 Positions<br>16 = 16 Positions |   |             |   | Actuator Style:<br>A = Flat Arrow<br>C = Flat Cross<br>R = Raised Arrow<br>S = Raised Slotted |   |             |   |           |

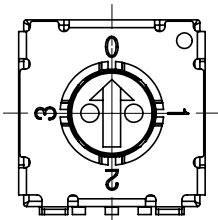
## MECHANICAL DRAWING (FLAT ARROW ACTUATOR)

units: mm  
tolerance: ±0.1 mm  
unless otherwise noted

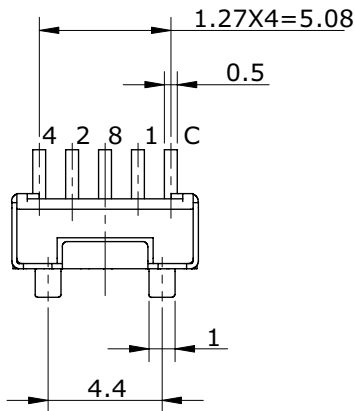
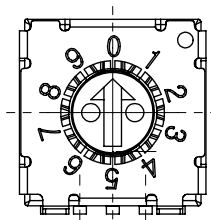


| ITEM | DESCRIPTION | MATERIAL        | PLATING/COLOR  |
|------|-------------|-----------------|--|
| 1    | actuator    | LCP (UL94V-0)   | blue [4 position]<br>gray [10 position]<br>ivory [16 position] |
| 2    | housing     | LCP (UL94V-0)   | dark gray  |
| 3    | face plate  | stainless steel |  |
| 4    | terminals   | copper alloy    | gold   |

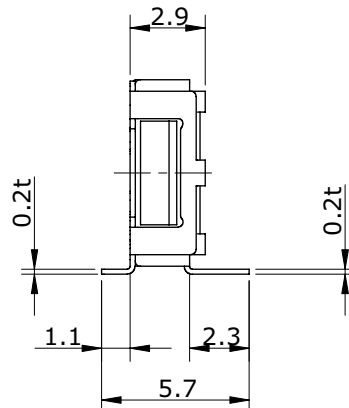
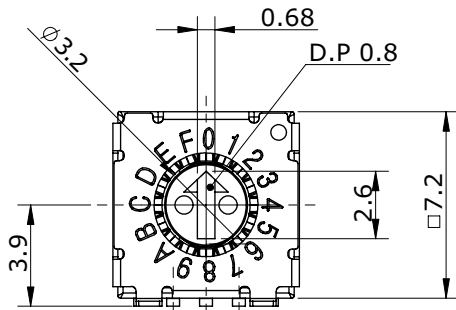
4 POSITION



10 POSITION

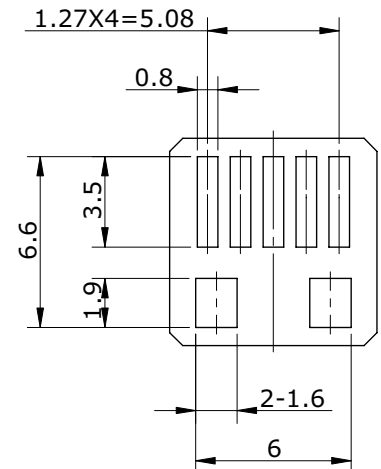


16 POSITION



| ON ○    |   | CODE |   |   |   |   |
|---------|---|------|---|---|---|---|
| OFF ●   |   | POS  | 1 | 2 | 4 | 8 |
| TYPE    |   |      |   |   |   |   |
| 4 STEP* | 0 | ●    | ● | ● | ● | ● |
|         | 1 | ○    | ● | ● | ● | ● |
|         | 2 | ●    | ○ | ● | ● | ● |
|         | 3 | ○    | ○ | ● | ● | ● |
| 10 STEP | 4 | ●    | ● | ○ | ● | ● |
|         | 5 | ○    | ● | ○ | ● | ● |
|         | 6 | ●    | ○ | ○ | ● | ● |
|         | 7 | ○    | ○ | ○ | ● | ● |
|         | 8 | ●    | ● | ● | ○ | ○ |
|         | 9 | ○    | ● | ● | ○ | ○ |
| 16 STEP | A | ●    | ○ | ● | ○ | ○ |
|         | B | ○    | ○ | ● | ○ | ○ |
|         | C | ●    | ● | ○ | ○ | ○ |
|         | D | ○    | ● | ○ | ○ | ○ |
|         | E | ●    | ○ | ○ | ○ | ○ |
|         | F | ○    | ○ | ○ | ○ | ○ |

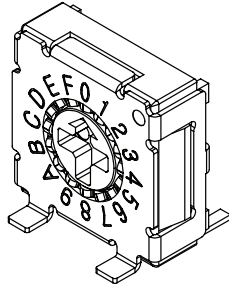
Note: \*Terminals 4 and 8 have no function on 4 position model.



Recommended PCB Layout  
Top View

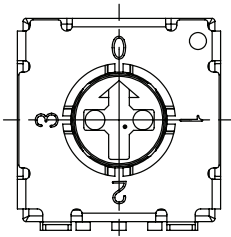
## MECHANICAL DRAWING (FLAT CROSS ACTUATOR)

units: mm  
tolerance: ±0.1 mm  
unless otherwise noted

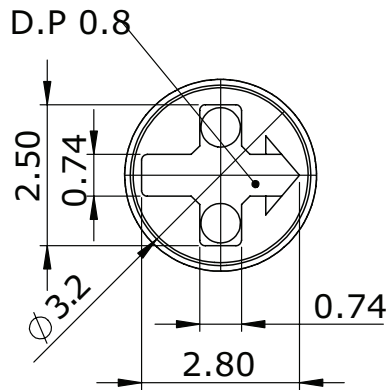
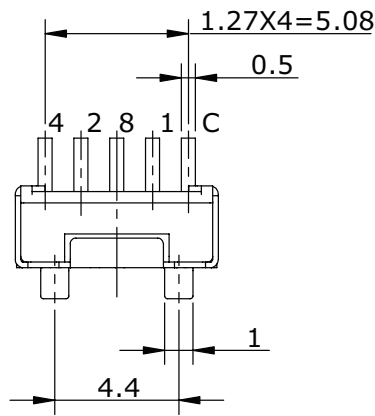
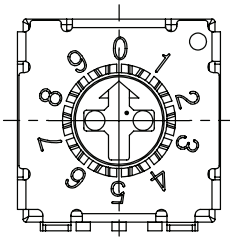


| ITEM | DESCRIPTION | MATERIAL        | PLATING/COLOR  |
|------|-------------|-----------------|--|
| 1    | actuator    | LCP (UL94V-0)   | blue [4 position]<br>gray [10 position]<br>ivory [16 position] |
| 2    | housing     | LCP (UL94V-0)   | dark gray  |
| 3    | face plate  | stainless steel |  |
| 4    | terminals   | copper alloy    | gold   |

4 POSITION



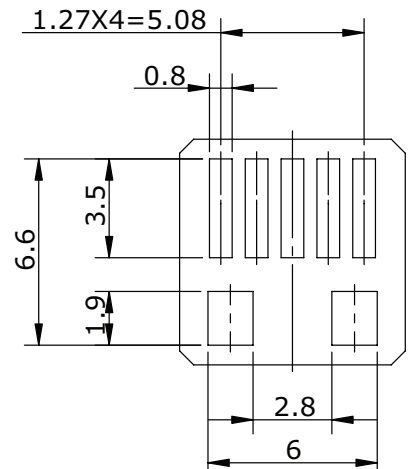
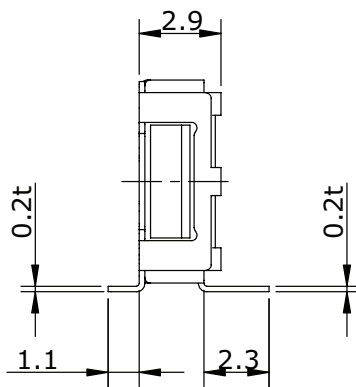
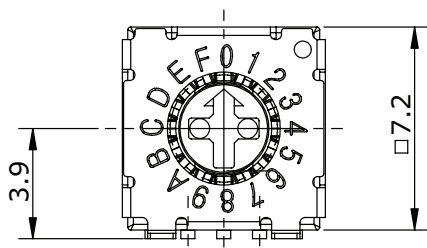
10 POSITION



| ON ○    |   | CODE |   |   |   |   |
|---------|---|------|---|---|---|---|
| OFF ●   |   | POS  | 1 | 2 | 4 | 8 |
| TYPE    |   |      |   |   |   |   |
| 4 STEP* | 0 | ●    | ● | ● | ● | ● |
|         | 1 | ○    | ● | ● | ● | ● |
|         | 2 | ●    | ○ | ● | ● | ● |
|         | 3 | ○    | ○ | ● | ● | ● |
| 10 STEP | 4 | ●    | ● | ○ | ● | ● |
|         | 5 | ○    | ● | ○ | ● | ● |
|         | 6 | ●    | ○ | ○ | ● | ● |
|         | 7 | ○    | ○ | ○ | ● | ● |
|         | 8 | ●    | ● | ● | ○ | ○ |
|         | 9 | ○    | ● | ● | ○ | ○ |
| 16 STEP | A | ●    | ○ | ● | ○ | ○ |
|         | B | ○    | ○ | ● | ○ | ○ |
|         | C | ●    | ● | ○ | ○ | ○ |
|         | D | ○    | ● | ○ | ○ | ○ |
|         | E | ●    | ○ | ○ | ○ | ○ |
|         | F | ○    | ○ | ○ | ○ | ○ |

Note: \*Terminals 4 and 8 have no function on 4 position model.

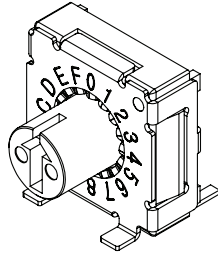
16 POSITION



Recommended PCB Layout  
Top View

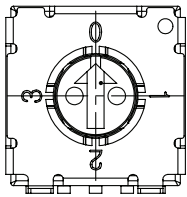
## MECHANICAL DRAWING (RAISED ARROW ACTUATOR)

units: mm  
tolerance: ±0.1 mm  
unless otherwise noted

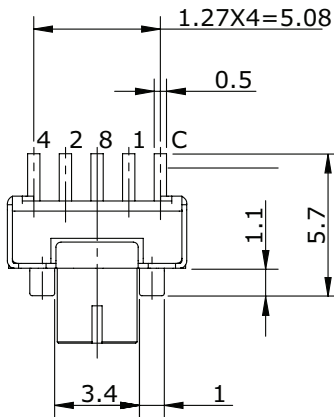
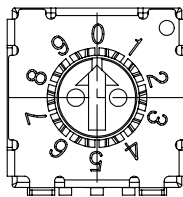


| ITEM | DESCRIPTION | MATERIAL        | PLATING/COLOR  |
|------|-------------|-----------------|--|
| 1    | actuator    | LCP (UL94V-0)   | blue [4 position]<br>gray [10 position]<br>ivory [16 position] |
| 2    | housing     | LCP (UL94V-0)   | dark gray  |
| 3    | face plate  | stainless steel |  |
| 4    | terminals   | copper alloy    | gold   |

**4 POSITION**



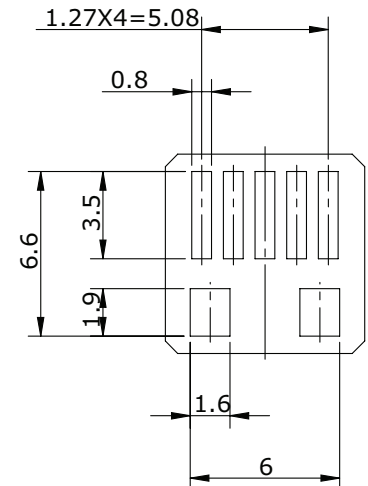
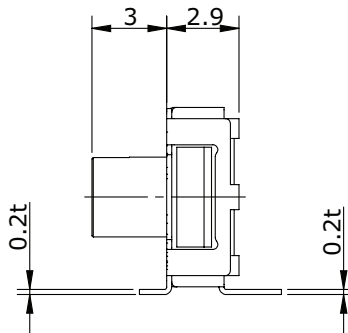
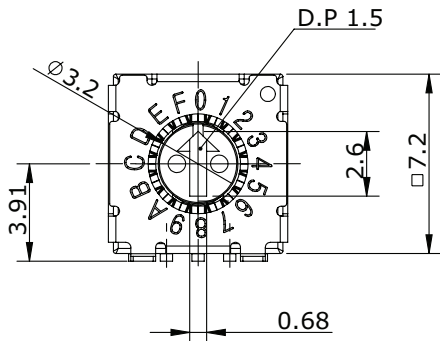
**10 POSITION**



| ON ○    |     |      |   |   |   |
|---------|-----|------|---|---|---|
| OFF ●   |     | CODE |   |   |   |
| TYPE    | POS | 1    | 2 | 4 | 8 |
| 4 STEP* | 0   | ●    | ● | ● | ● |
|         | 1   | ○    | ● | ● | ● |
|         | 2   | ●    | ○ | ● | ● |
|         | 3   | ○    | ○ | ● | ● |
| 10 STEP | 4   | ●    | ● | ○ | ● |
|         | 5   | ○    | ● | ○ | ● |
|         | 6   | ●    | ○ | ○ | ● |
|         | 7   | ○    | ○ | ○ | ● |
|         | 8   | ●    | ● | ● | ○ |
|         | 9   | ○    | ● | ● | ○ |
| 16 STEP | A   | ●    | ○ | ● | ○ |
|         | B   | ○    | ○ | ● | ○ |
|         | C   | ●    | ● | ○ | ○ |
|         | D   | ○    | ● | ○ | ○ |
|         | E   | ●    | ○ | ○ | ○ |
|         | F   | ○    | ○ | ○ | ○ |

Note: \*Terminals 4 and 8 have no function on 4 position model.

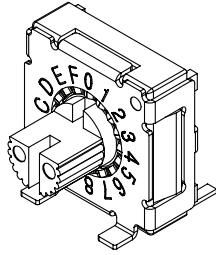
**16 POSITION**



Recommended PCB Layout  
Top View

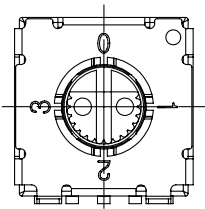
## MECHANICAL DRAWING (RAISED SLOTTED ACTUATOR)

units: mm  
tolerance: ±0.1 mm  
unless otherwise noted

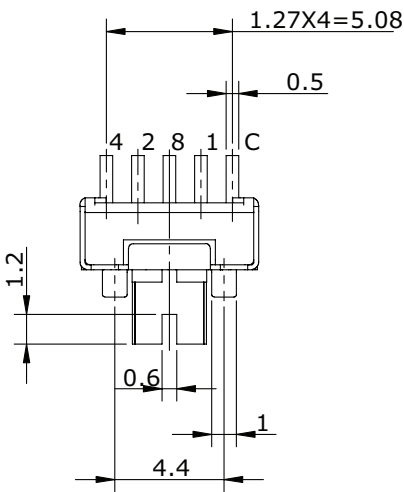
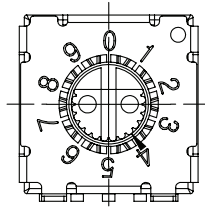


| ITEM | DESCRIPTION | MATERIAL        | PLATING/COLOR  |
|------|-------------|-----------------|--|
| 1    | actuator    | LCP (UL94V-0)   | blue (4 position)<br>gray (10 position)<br>ivory (16 position) |
| 2    | housing     | LCP (UL94V-0)   | dark gray  |
| 3    | face plate  | stainless steel |  |
| 4    | terminals   | copper alloy    | gold   |

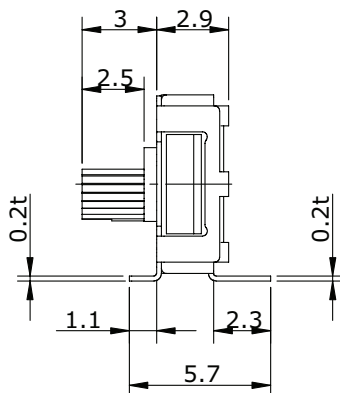
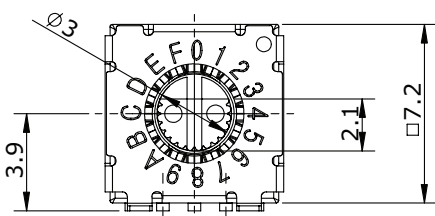
**4 POSITION**



**10 POSITION**

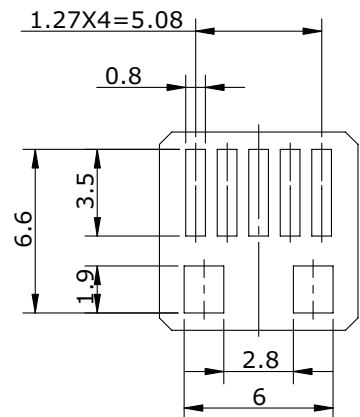


**16 POSITION**



| ON ○    |     |      |   |   |   |
|---------|-----|------|---|---|---|
| OFF ●   |     | CODE |   |   |   |
| TYPE    | POS | 1    | 2 | 4 | 8 |
| 4 STEP* | 0   | ●    | ● | ● | ● |
|         | 1   | ○    | ● | ● | ● |
|         | 2   | ●    | ○ | ● | ● |
|         | 3   | ○    | ○ | ● | ● |
| 10 STEP | 4   | ●    | ● | ○ | ● |
|         | 5   | ○    | ● | ○ | ● |
|         | 6   | ●    | ○ | ○ | ● |
|         | 7   | ○    | ○ | ○ | ● |
|         | 8   | ●    | ● | ● | ○ |
|         | 9   | ○    | ● | ● | ○ |
| 16 STEP | A   | ●    | ○ | ● | ○ |
|         | B   | ○    | ○ | ● | ○ |
|         | C   | ●    | ● | ○ | ○ |
|         | D   | ○    | ● | ○ | ○ |
|         | E   | ●    | ○ | ○ | ○ |
|         | F   | ○    | ○ | ○ | ○ |

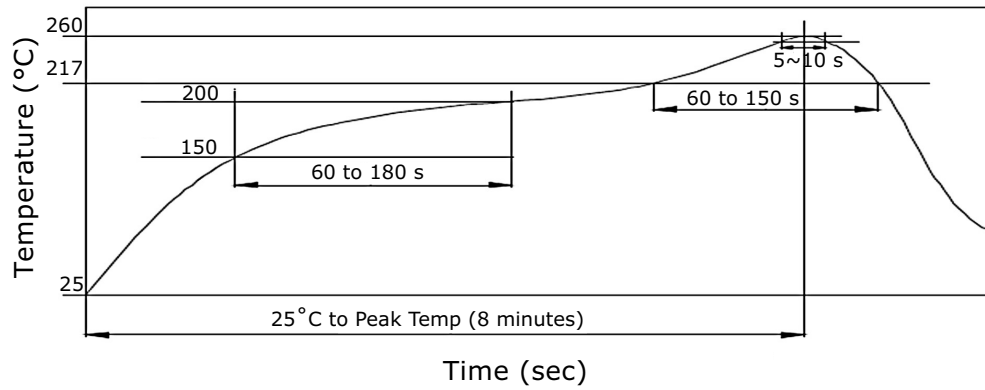
Note: \*Terminals 4 and 8 have no function on 4 position model.



Recommended PCB Layout  
Top View

## SOLDERABILITY

| parameter        | conditions/description | min | typ | max | units |
|------------------|------------------------|-----|-----|-----|-------|
| hand soldering   | for maximum 3 seconds  |     |     | 350 | °C    |
| reflow soldering |                        |     |     | 260 | °C    |

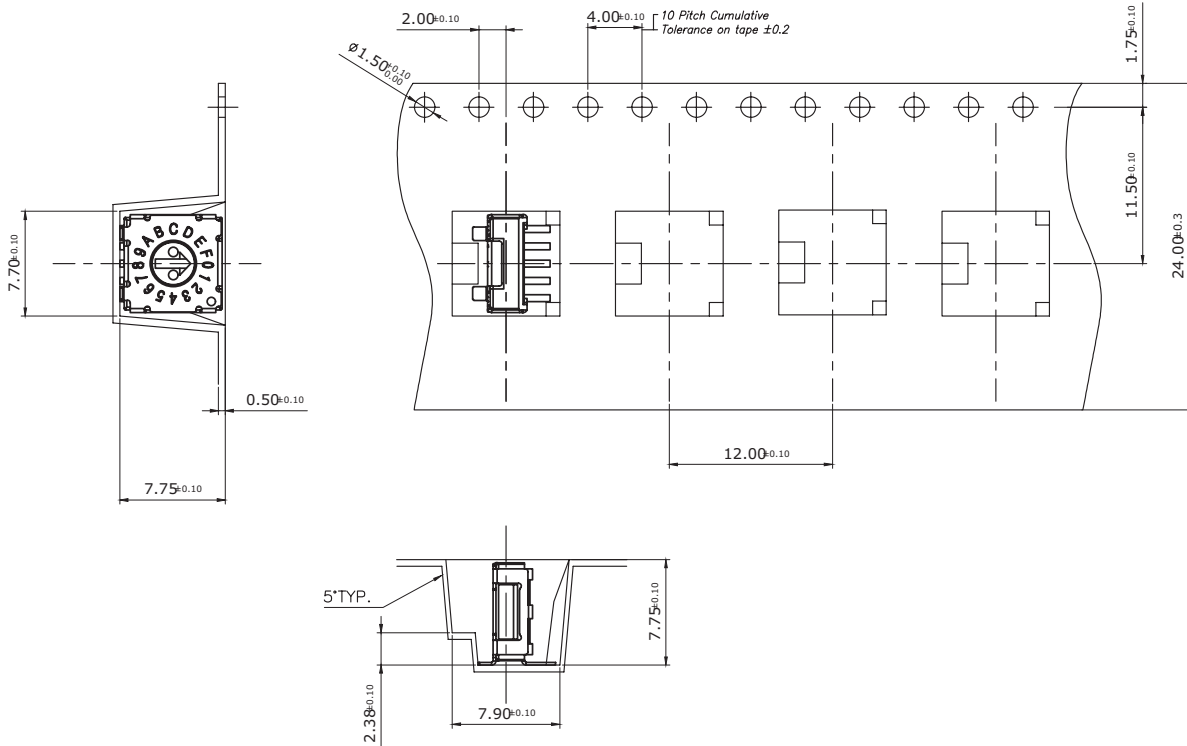


## PACKAGING

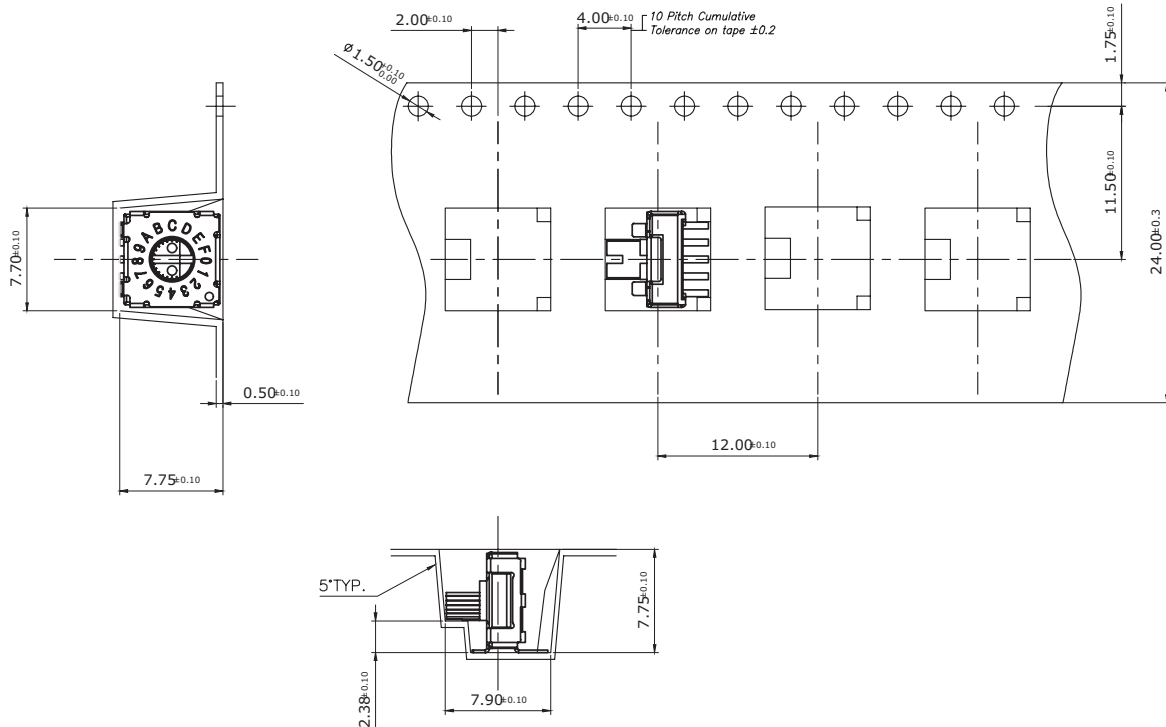
units: mm

Reel Size:  $\varnothing$ 330 mm  
QTY: 580 pcs

### FLAT ACTUATOR MODELS



### RAISED ACTUATOR MODELS



## REVISION HISTORY

| rev. | description                  | date       |
|------|------------------------------|------------|
| 1.0  | initial release              | 12/11/2020 |
| 1.01 | logo, datasheet style update | 08/05/2022 |

The revision history provided is for informational purposes only and is believed to be accurate.



CUI Devices offers a one (1) year limited warranty. Complete warranty information is listed on our website.

CUI Devices reserves the right to make changes to the product at any time without notice. Information provided by CUI Devices is believed to be accurate and reliable. However, no responsibility is assumed by CUI Devices for its use, nor for any infringements of patents or other rights of third parties which may result from its use.

CUI Devices products are not authorized or warranted for use as critical components in equipment that requires an extremely high level of reliability. A critical component is any component of a life support device or system whose failure to perform can be reasonably expected to cause the failure of the life support device or system, or to affect its safety or effectiveness.

[cuidevices.com](http://cuidevices.com)