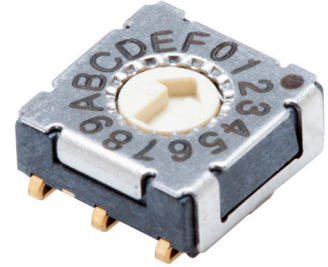


SERIES: RDS-7229-JSMT | **DESCRIPTION:** ROTARY DIP SWITCH**FEATURES**

- IP67 rated
- 4, 10, & 16 positions
- J hook surface mount

**SPECIFICATIONS**

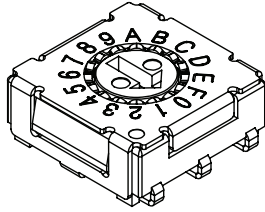
| parameter | conditions/description | min | typ | max | units |
|-----------------------|---------------------------------------|-----|--------|-----|---------|
| rated voltage | switching | | | 50 | Vdc |
| | non-switching | | | 50 | Vdc |
| rated current | switching | | | 100 | mA |
| | non-switching | | | 100 | mA |
| withstanding voltage | for 1 minute | | 250 | | Vac |
| contact resistance | | | | 100 | mΩ |
| insulation resistance | at 100 Vdc | 100 | | | MΩ |
| operating torque | | | | 200 | gf*cm |
| actuator travel | continuous rotation | | 360 | | degrees |
| operating temperature | | -40 | | 85 | °C |
| storage temperature | | -40 | | 85 | °C |
| life | at 5 Vdc, 100 mA, 15~20 cycles/minute | | 10,000 | | steps |
| flammability rating | UL94V-0 | | | | |
| RoHS | yes | | | | |
| IP level | IP67 (IEC 60529:2001) | | | | |

PART NUMBER KEY

| | | | | | |
|-------------|--|---------------|---|---------------|--|
| RDS | - XXS | - 7229 | - X | - JSMT | - XX |
| Base Number | No. of Positions: 4 = 4 Positions 10 = 10 Positions 16 = 16 Positions | | Actuator Style: A = Flat Arrow C = Flat Cross R = Raised Arrow S = Raised Slotted | | Packaging: "blank" = Tube TR = Tape and Reel |

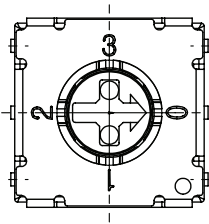
MECHANICAL DRAWING (FLAT ARROW ACTUATOR)

units: mm
tolerance: ±0.1 mm
unless otherwise noted

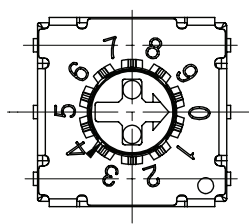


| ITEM | DESCRIPTION | MATERIAL | PLATING/COLOR |
|------|-------------|-----------------|--|
| 1 | actuator | LCP (UL94V-0) | blue [4 position] gray [10 position] ivory [16 position] |
| 2 | housing | LCP (UL94V-0) | dark gray |
| 3 | face plate | stainless steel | |
| 4 | terminals | copper alloy | gold |

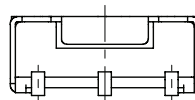
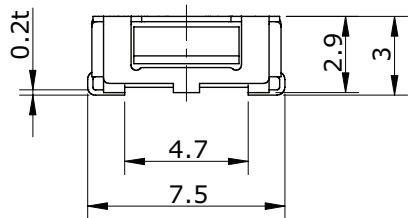
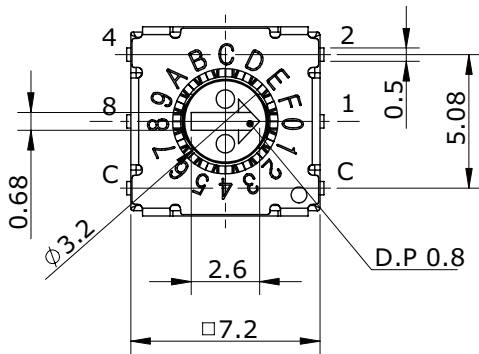
4 POSITION



10 POSITION

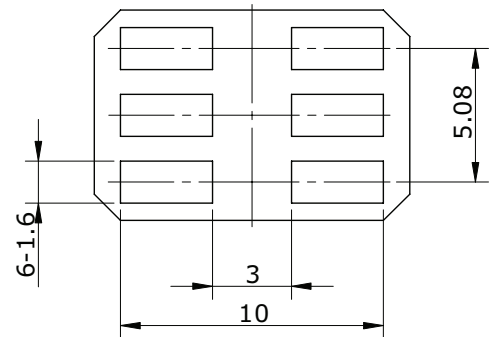


16 POSITION



| ON ○ | | | | | |
|---------|-----|------|---|---|---|
| OFF ● | | CODE | | | |
| TYPE | POS | 1 | 2 | 4 | 8 |
| 4 STEP* | 0 | ● | ● | ● | ● |
| | 1 | ○ | ● | ● | ● |
| | 2 | ● | ○ | ● | ● |
| | 3 | ○ | ○ | ● | ● |
| 10 STEP | 4 | ● | ● | ○ | ● |
| | 5 | ○ | ● | ○ | ● |
| | 6 | ● | ○ | ○ | ● |
| | 7 | ○ | ○ | ○ | ● |
| | 8 | ● | ● | ● | ○ |
| | 9 | ○ | ● | ● | ○ |
| 16 STEP | A | ● | ○ | ● | ○ |
| | B | ○ | ○ | ● | ○ |
| | C | ● | ● | ○ | ○ |
| | D | ○ | ● | ○ | ○ |
| | E | ● | ○ | ○ | ○ |
| | F | ○ | ○ | ○ | ○ |

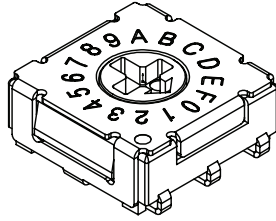
Note: *Terminals 4 and 8 have no function on 4 position model.



Recommended PCB Layout
Top View

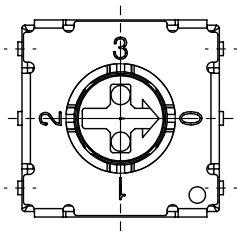
MECHANICAL DRAWING (FLAT CROSS ACTUATOR)

units: mm
tolerance: ±0.1 mm
unless otherwise noted

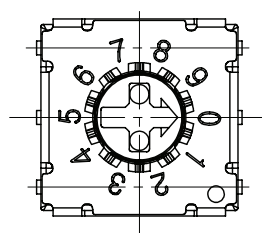


| ITEM | DESCRIPTION | MATERIAL | PLATING/COLOR |
|------|-------------|-----------------|--|
| 1 | actuator | LCP (UL94V-0) | blue [4 position] gray [10 position] ivory [16 position] |
| 2 | housing | LCP (UL94V-0) | dark gray |
| 3 | face plate | stainless steel | |
| 4 | terminals | copper alloy | gold |

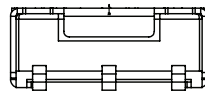
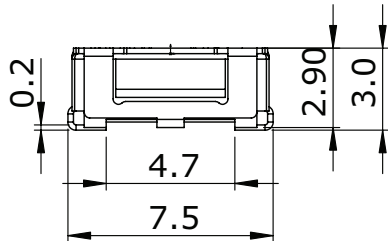
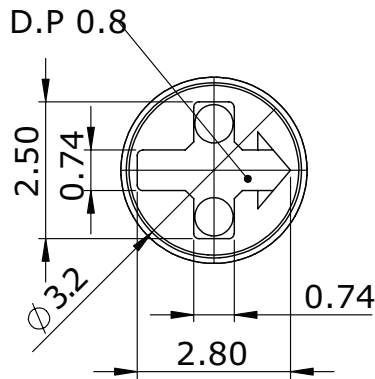
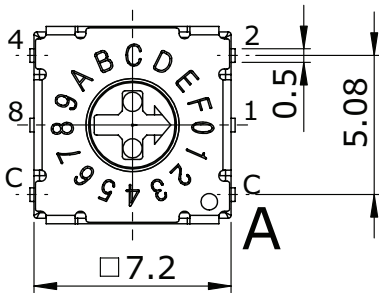
4 POSITION



10 POSITION

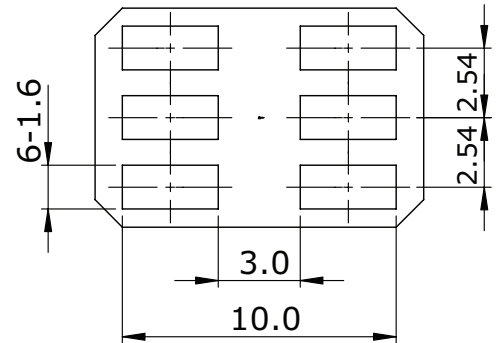


16 POSITION



| ON ○ | | | | | |
|---------|-----|------|---|---|---|
| OFF ● | | CODE | | | |
| TYPE | POS | 1 | 2 | 4 | 8 |
| 4 STEP* | 0 | ● | ● | ● | ● |
| | 1 | ○ | ● | ● | ● |
| | 2 | ● | ○ | ● | ● |
| | 3 | ○ | ○ | ● | ● |
| 10 STEP | 4 | ● | ● | ○ | ● |
| | 5 | ○ | ● | ○ | ● |
| | 6 | ● | ○ | ○ | ● |
| | 7 | ○ | ○ | ○ | ● |
| | 8 | ● | ● | ● | ○ |
| | 9 | ○ | ● | ● | ○ |
| 16 STEP | A | ● | ○ | ● | ○ |
| | B | ○ | ○ | ● | ○ |
| | C | ● | ● | ○ | ○ |
| | D | ○ | ● | ○ | ○ |
| | E | ● | ○ | ○ | ○ |
| | F | ○ | ○ | ○ | ○ |

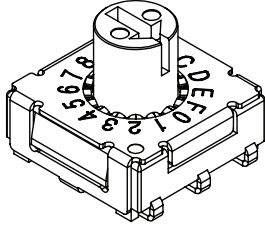
Note: *Terminals 4 and 8 have no function on 4 position model.



Recommended PCB Layout
Top View

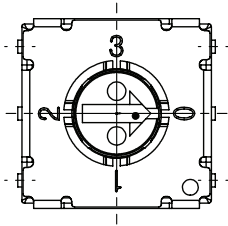
MECHANICAL DRAWING (RAISED ARROW ACTUATOR)

units: mm
tolerance: ±0.1 mm
unless otherwise noted

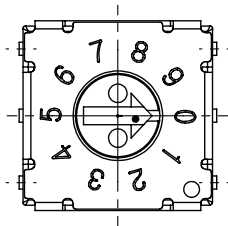


| ITEM | DESCRIPTION | MATERIAL | PLATING/COLOR |
|------|-------------|-----------------|--|
| 1 | actuator | LCP (UL94V-0) | blue (4 position) gray (10 position) ivory (16 position) |
| 2 | housing | LCP (UL94V-0) | dark gray |
| 3 | face plate | stainless steel | |
| 4 | terminals | copper alloy | gold |

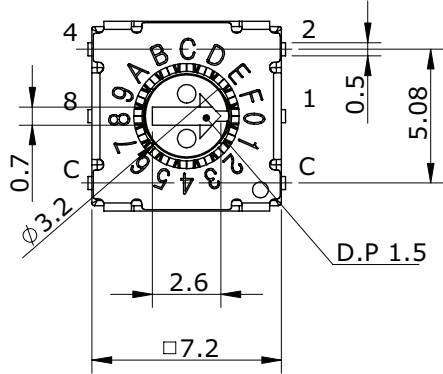
4 POSITION



10 POSITION

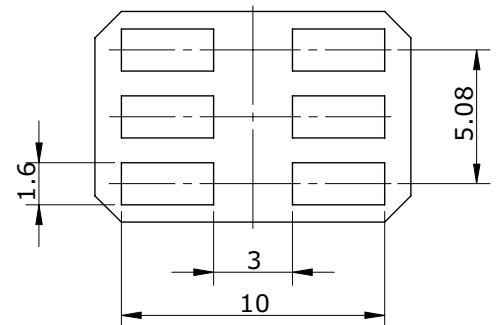
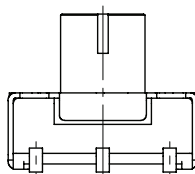
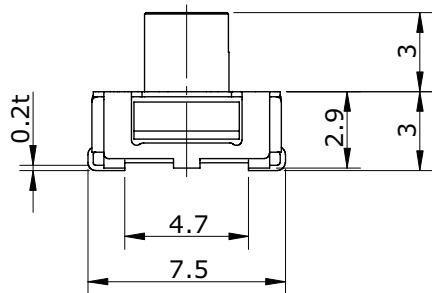


16 POSITION



| | | DN | O | | | | |
|---------|---------|-----|---|------|---|---|--|
| | | OFF | ● | CODE | | | |
| TYPE | | POS | 1 | 2 | 4 | 8 | |
| 10 STEP | 4 STEP* | 0 | ● | ● | ● | ● | |
| | | 1 | ○ | ● | ● | ● | |
| | | 2 | ● | ○ | ● | ● | |
| | | 3 | ○ | ○ | ● | ● | |
| | | 4 | ● | ● | ○ | ● | |
| | | 5 | ○ | ● | ○ | ● | |
| | | 6 | ● | ○ | ○ | ● | |
| | | 7 | ○ | ○ | ○ | ● | |
| | | 8 | ● | ● | ● | ○ | |
| | | 9 | ○ | ● | ● | ○ | |
| 16 STEP | | A | ● | ○ | ● | ○ | |
| | | B | ○ | ○ | ● | ○ | |
| | | C | ● | ● | ○ | ○ | |
| | | D | ○ | ● | ○ | ○ | |
| | | E | ● | ○ | ○ | ○ | |
| | | F | ○ | ○ | ○ | ○ | |

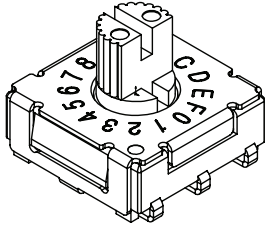
Note: *Terminals 4 and 8 have no function on 4 position model.



Recommended PCB Layout
Top View

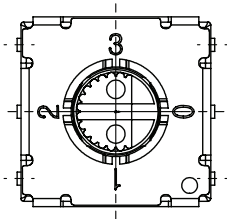
MECHANICAL DRAWING (RAISED SLOTTED ACTUATOR)

units: mm
tolerance: ±0.1 mm
unless otherwise noted

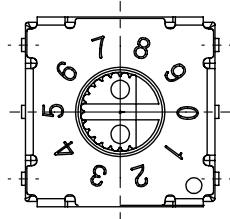


| ITEM | DESCRIPTION | MATERIAL | PLATING/COLOR |
|------|-------------|-----------------|--|
| 1 | actuator | LCP (UL94V-0) | blue (4 position) gray (10 position) ivory (16 position) |
| 2 | housing | LCP (UL94V-0) | dark gray |
| 3 | face plate | stainless steel | |
| 4 | terminals | copper alloy | gold |

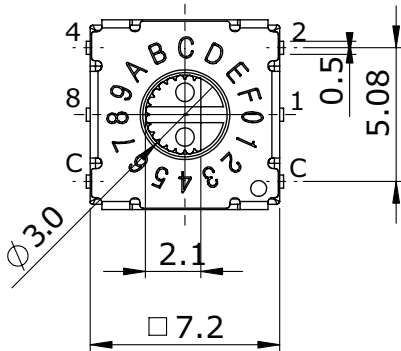
4 POSITION



10 POSITION

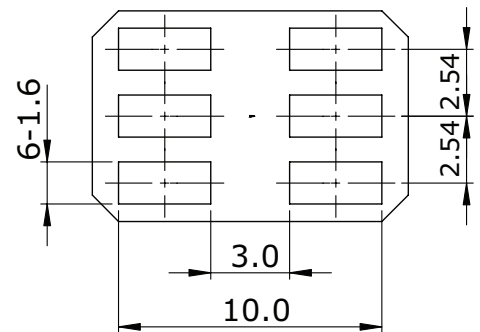
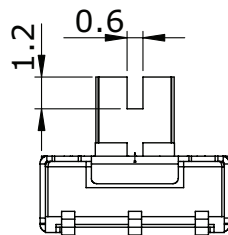
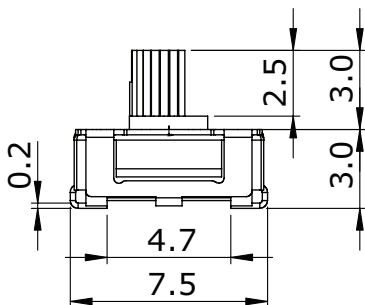


16 POSITION



| ON ○ | | | | | | |
|---------|---------|------|---|---|---|---|
| OFF ● | | CODE | | | | |
| TYPE | POS | 1 | 2 | 4 | 8 | |
| 4 STEP* | 0 | ● | ● | ● | ● | |
| | 1 | ○ | ● | ● | ● | |
| | 2 | ● | ○ | ● | ● | |
| | 3 | ○ | ○ | ● | ● | |
| | 4 | ● | ● | ○ | ● | |
| | 10 STEP | 5 | ○ | ● | ○ | ● |
| | | 6 | ● | ○ | ○ | ● |
| | | 7 | ○ | ○ | ○ | ● |
| | | 8 | ● | ● | ● | ○ |
| | | 9 | ○ | ● | ● | ○ |
| 16 STEP | | A | ● | ○ | ● | ○ |
| | B | ○ | ○ | ● | ○ | |
| | C | ● | ● | ○ | ○ | |
| | D | ○ | ● | ○ | ○ | |
| | E | ● | ○ | ○ | ○ | |
| | F | ○ | ○ | ○ | ○ | |

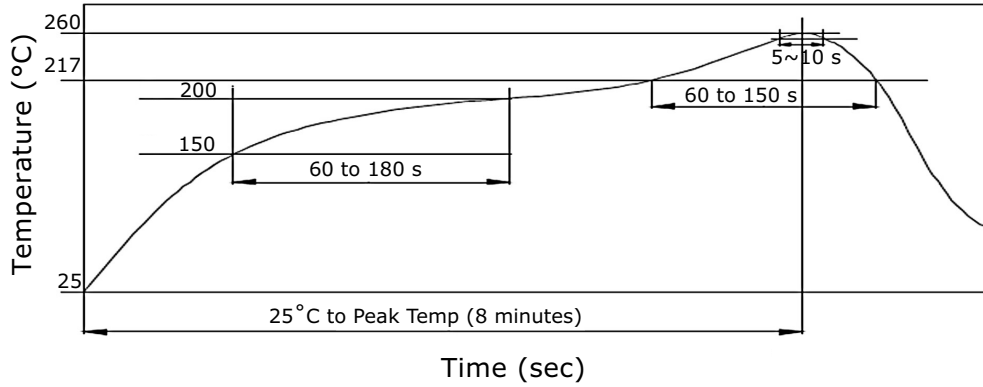
Note: *Terminals 4 and 8 have no function on 4 position model.



Recommended PCB Layout
Top View

SOLDERABILITY

| parameter | conditions/description | min | typ | max | units |
|------------------|------------------------|-----|-----|-----|-------|
| hand soldering | for maximum 3 seconds | | | 350 | °C |
| reflow soldering | | | | 260 | °C |



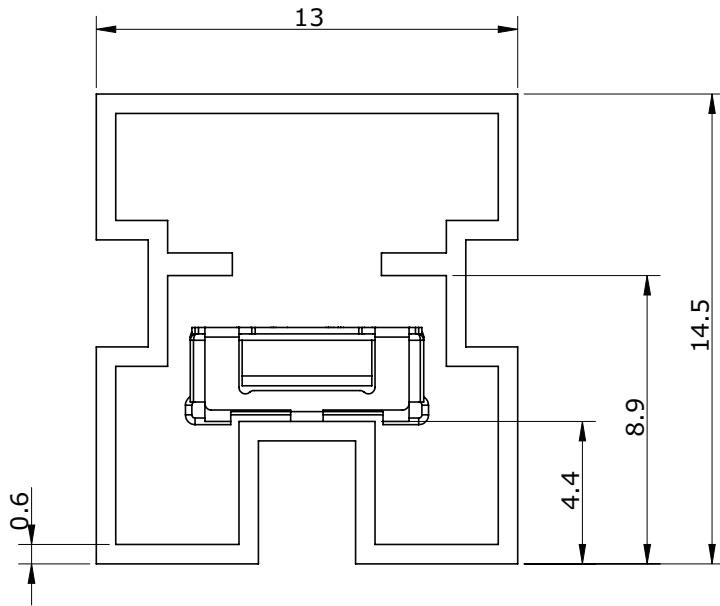
PACKAGING (TUBE)

units: mm

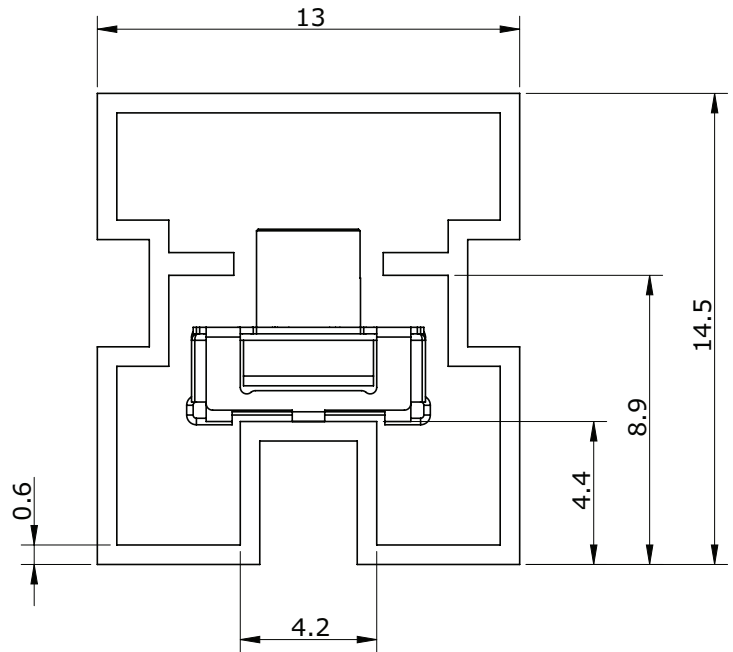
Tube Size: 14.5 x 13.0 x 545 mm

Tube QTY: 70 pcs

FLAT ACTUATOR MODELS



RAISED ACTUATOR MODELS



PACKAGING (TAPE & REEL)

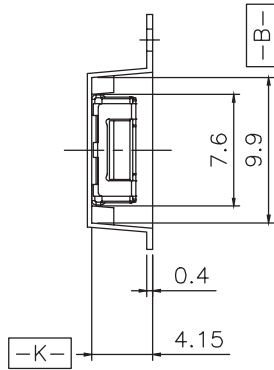
units: mm

Reel Size: $\varnothing 330$ mm

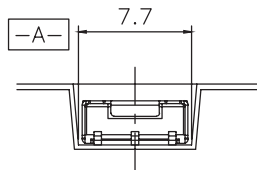
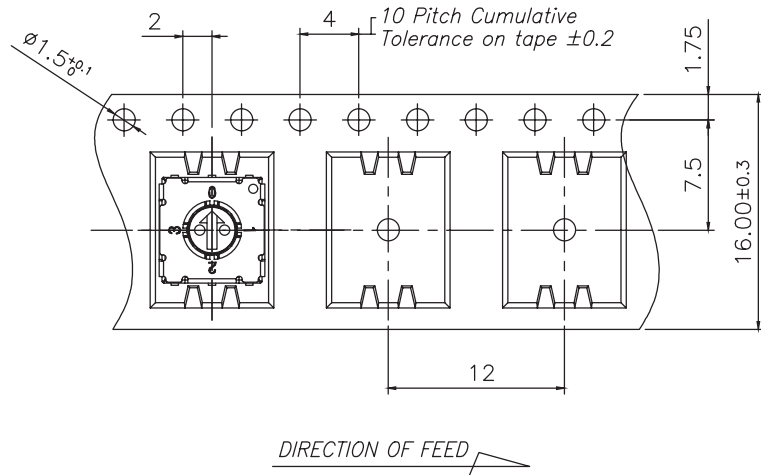
QTY:

Flat actuator models: 1,300 pcs/reel

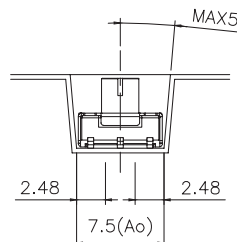
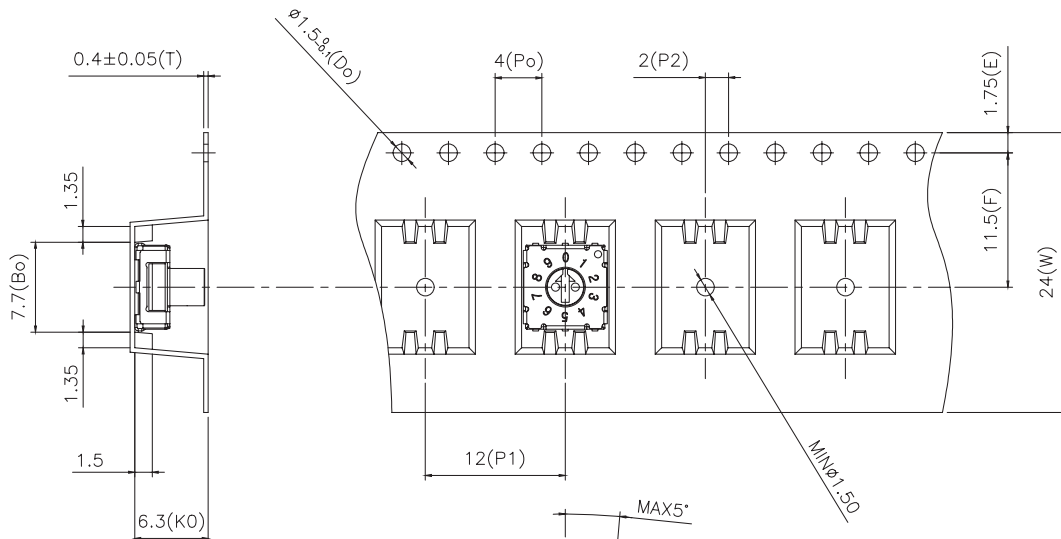
Raised actuator models: 800 pcs/reel



FLAT ACTUATOR MODELS



RAISED ACTUATOR MODELS



REVISION HISTORY

| rev. | description | date |
|------|------------------------------|------------|
| 1.0 | initial release | 12/11/2020 |
| 1.01 | logo, datasheet style update | 08/05/2022 |

The revision history provided is for informational purposes only and is believed to be accurate.



CUI Devices offers a one (1) year limited warranty. Complete warranty information is listed on our website.

CUI Devices reserves the right to make changes to the product at any time without notice. Information provided by CUI Devices is believed to be accurate and reliable. However, no responsibility is assumed by CUI Devices for its use, nor for any infringements of patents or other rights of third parties which may result from its use.

CUI Devices products are not authorized or warranted for use as critical components in equipment that requires an extremely high level of reliability. A critical component is any component of a life support device or system whose failure to perform can be reasonably expected to cause the failure of the life support device or system, or to affect its safety or effectiveness.

cuidevices.com