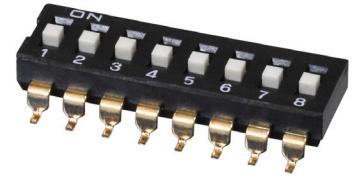


SERIES: DS04-254-SMT | **DESCRIPTION:** DIP SWITCH

FEATURES

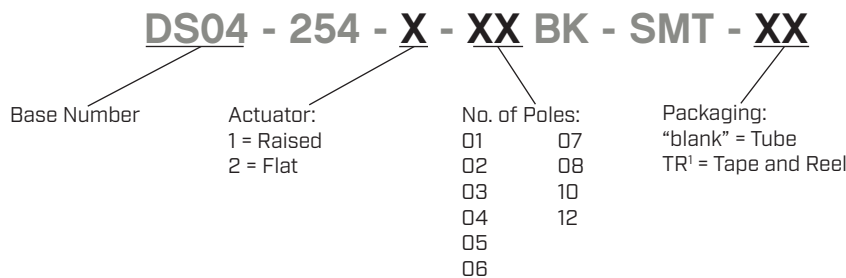
- 2.54 mm pitch
- 1-12 pole options
- raised or flat actuator option
- surface mount
- tube or tape & reel packaging



SPECIFICATIONS

| parameter | conditions/description | min | typ | max | units |
|--------------------------|----------------------------|------|-----|-----------|------------|
| rated voltage (per pole) | switching non-switching | | | 24 50 | Vdc Vdc |
| rated current (per pole) | switching non-switching | | | 25 100 | mA mA |
| withstanding voltage | for 1 minute | | 500 | | Vac |
| contact resistance | initial after life test | | | 50 100 | mΩ mΩ |
| insulation resistance | at 500 Vdc | 100 | | | MΩ |
| operating force | | | | 1000 | g |
| switch travel | | | | 0.9 | mm |
| operating temperature | | -40 | | 85 | °C |
| storage temperature | | -40 | | 85 | °C |
| life | | 2000 | | | cycles |
| flammability rating | UL94V-0 | | | | |
| RoHS | yes | | | | |

PART NUMBER KEY



Notes: 1. Tape and Reel packaging only available on flat actuator options.

MECHANICAL DRAWING

units: mm

tolerance:

0.5<X≤3.0: ±0.15 mm

3.0<X≤6.0: ±0.20 mm

6.0<X≤30.0: ±0.25 mm

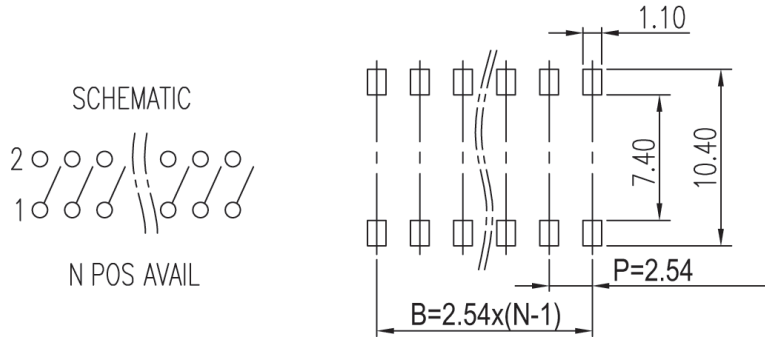
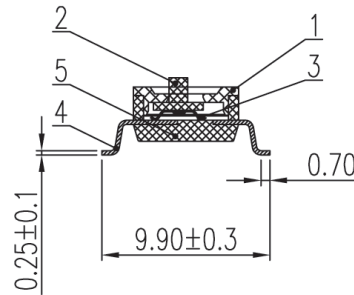
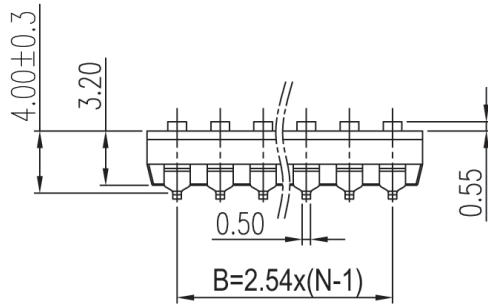
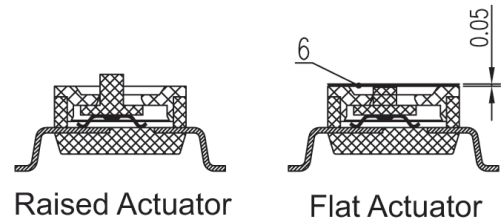
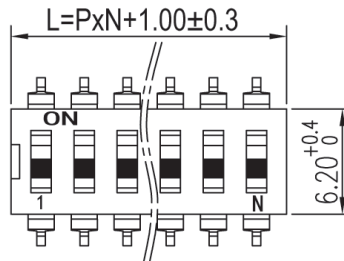
30.0<X≤120.0: ±0.30 mm

120.0<X≤400.0: ±0.50 mm

X>400.0: ±0.80 mm

unless otherwise noted

| ITEM | DESCRIPTION | MATERIAL | PLATING/COLOR |
|------|-------------|---------------|---------------|
| 1 | housing | PBT (UL94V-0) | black |
| 2 | actuator | PBT (UL94V-0) | white |
| 3 | contact | copper alloy | gold |
| 4 | pins 1,2 | copper alloy | gold |
| 5 | base | PBT (UL94V-0) | black |
| 6 | tape | polyimide | |



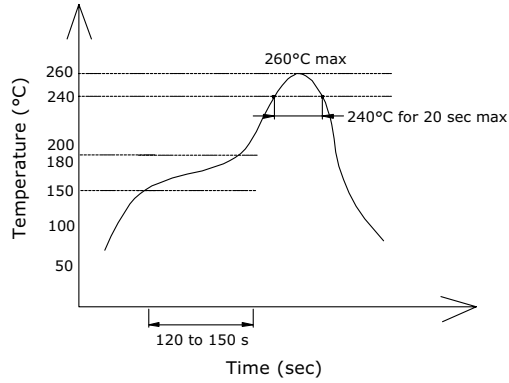
Recommended PCB Layout
Top View

| This series is constructed of single piece modules where L is the total length, P is the pitch, and N is the number of poles. | | | | | | | | | | |
|---|------|------|------|-------|-------|-------|-------|-------|-------|-------|
| N | 01 | 02 | 03 | 04 | 05 | 06 | 07 | 08 | 10 | 12 |
| L | 3.54 | 6.08 | 8.62 | 11.16 | 13.70 | 16.24 | 18.78 | 21.32 | 26.40 | 31.48 |
| B | -- | 2.54 | 5.08 | 7.62 | 10.16 | 12.70 | 15.24 | 17.78 | 22.86 | 27.94 |

SOLDERABILITY

| parameter | conditions/description | min | typ | max | units |
|-------------------------------|-----------------------------|-----|-----|-----|-------|
| hand soldering ² | for maximum 3 seconds | 315 | 320 | 325 | °C |
| reflow soldering ² | 240-260 °C (20 seconds max) | | | 260 | °C |

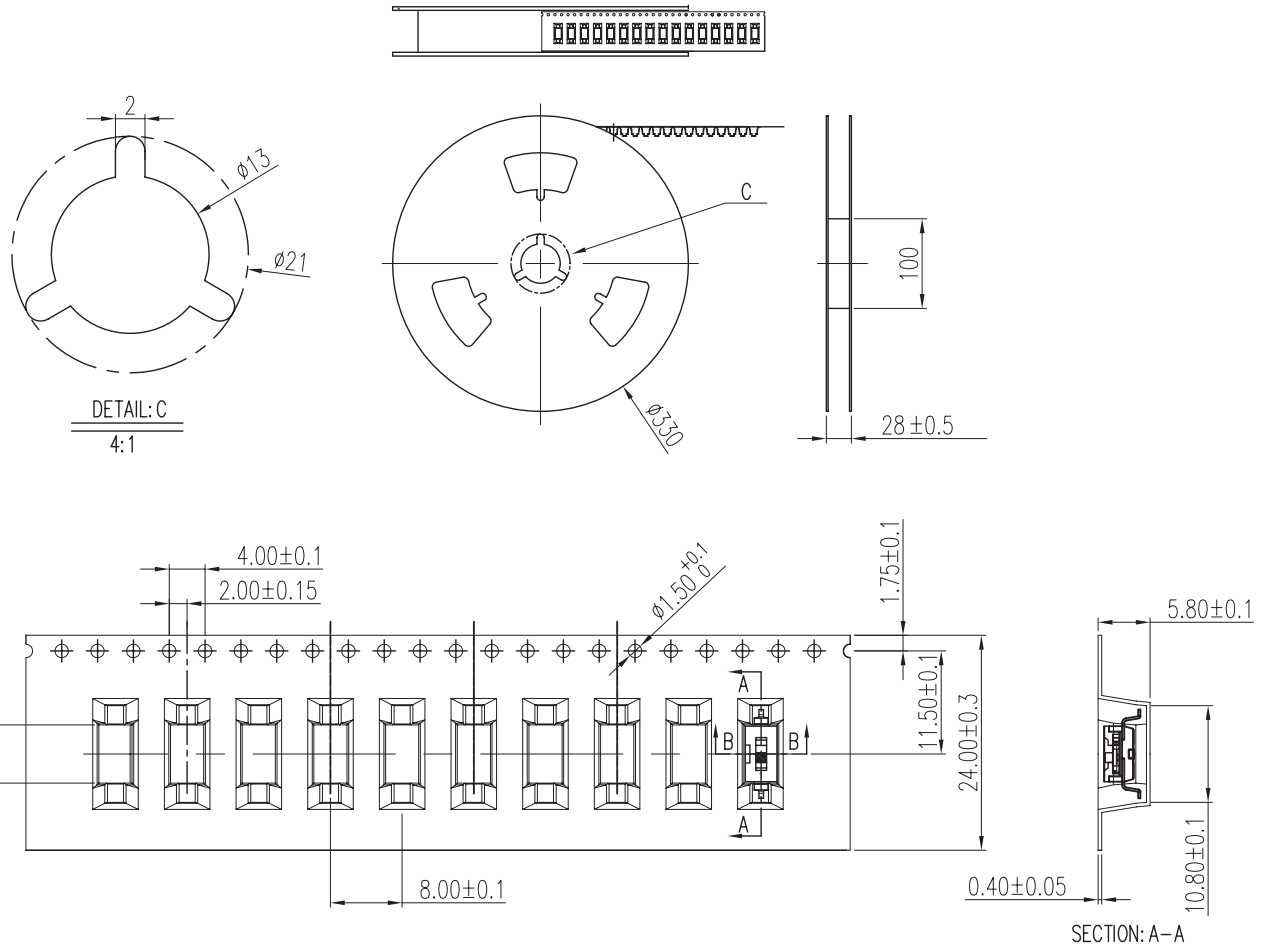
Notes: 2. Keep in "off" position during soldering.



PACKAGING (TAPE & REEL, 1 POLE MODELS)

units: mm

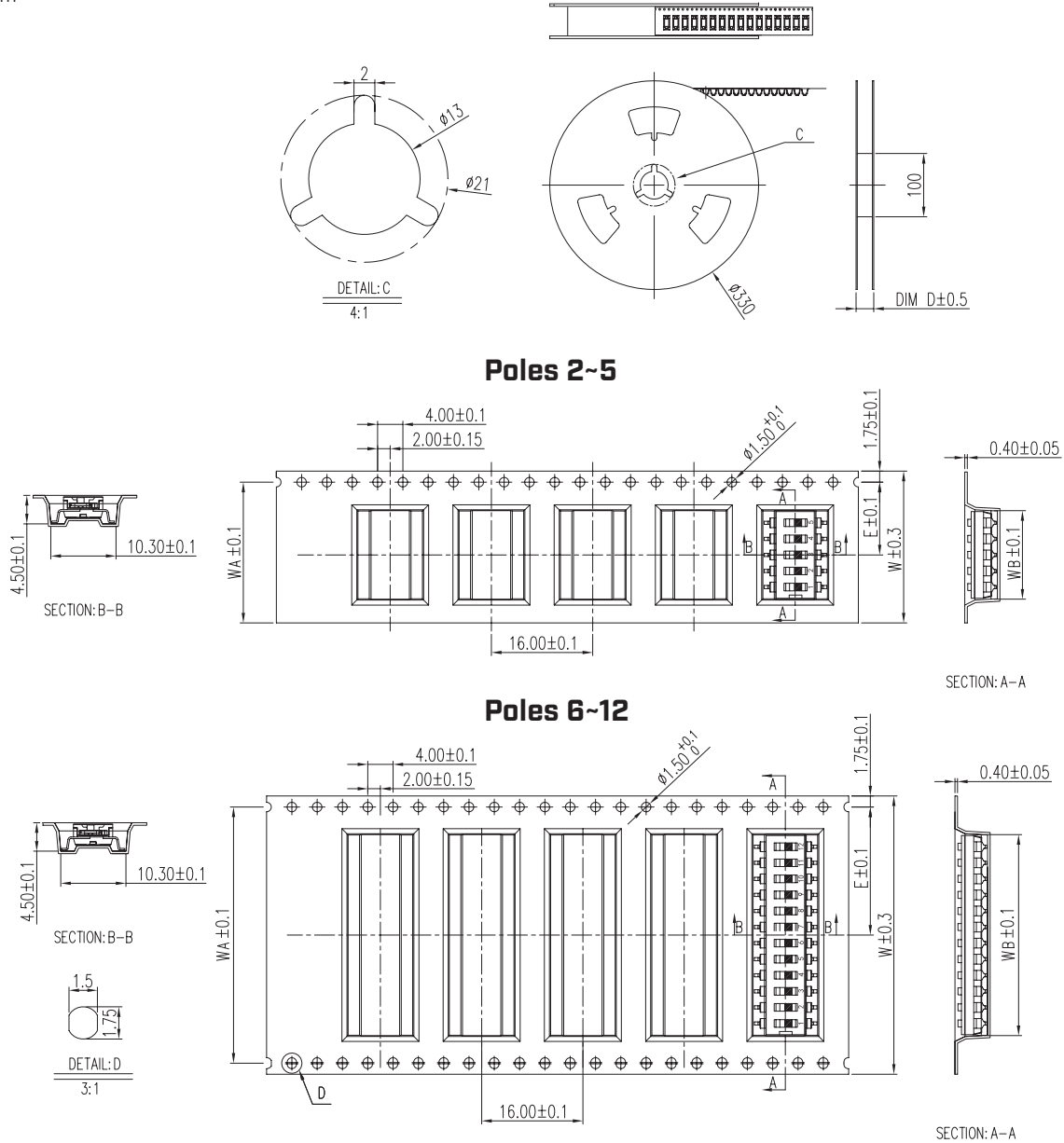
Reel Size: Ø330 mm
Reel QTY: 1500 pcs



PACKAGING (TAPE & REEL, 2~12 POLE MODELS)

units: mm

Reel Size: $\varnothing 330$ mm

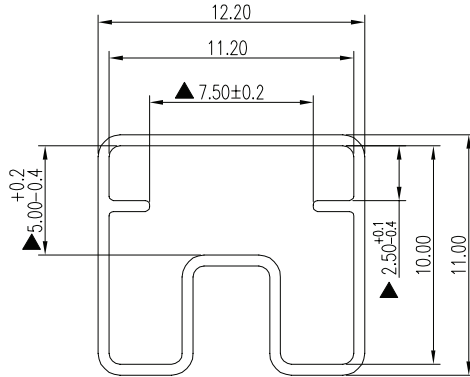


| Tape Dimensions | | | | | | |
|-----------------|--------|---------|---------|--------|--------|-----|
| #Poles | W [mm] | WA [mm] | WB [mm] | E [mm] | D [mm] | QTY |
| 2 | 16.00 | 14.55 | 6.26 | 7.50 | 20 | 800 |
| 3 | 16.00 | 14.55 | 8.92 | 7.50 | 20 | 800 |
| 4 | 24.00 | 22.25 | 11.46 | 11.50 | 28 | 800 |
| 5 | 24.00 | 22.25 | 14.00 | 11.50 | 28 | 800 |
| 6 | 32.00 | 28.50 | 16.54 | 14.20 | 36 | 800 |
| 7 | 32.00 | 28.50 | 19.08 | 14.20 | 36 | 800 |
| 8 | 44.00 | 40.50 | 21.62 | 20.25 | 48 | 800 |
| 10 | 44.00 | 40.50 | 26.70 | 20.25 | 48 | 800 |
| 12 | 44.00 | 40.50 | 31.78 | 20.25 | 48 | 800 |

PACKAGING (TUBE)

units: mm

Tube Size: 12.20 x 11.00 x 500 mm



REVISION HISTORY

| rev. | description | date |
|------|--|------------|
| 1.0 | initial release | 12/02/2019 |
| 1.01 | added tube packaging details | 03/02/2021 |
| 1.02 | changed packaging tape width on 8 pole version | 04/13/2022 |
| 1.03 | logo, datasheet style update | 08/05/2022 |

The revision history provided is for informational purposes only and is believed to be accurate.



CUI Devices offers a one (1) year limited warranty. Complete warranty information is listed on our website.

CUI Devices reserves the right to make changes to the product at any time without notice. Information provided by CUI Devices is believed to be accurate and reliable. However, no responsibility is assumed by CUI Devices for its use, nor for any infringements of patents or other rights of third parties which may result from its use.

CUI Devices products are not authorized or warranted for use as critical components in equipment that requires an extremely high level of reliability. A critical component is any component of a life support device or system whose failure to perform can be reasonably expected to cause the failure of the life support device or system, or to affect its safety or effectiveness.

cuidevices.com