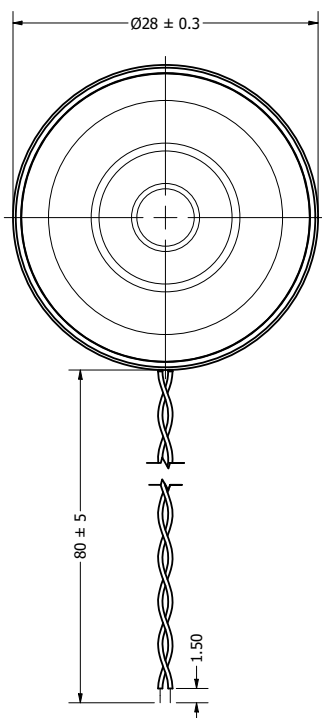
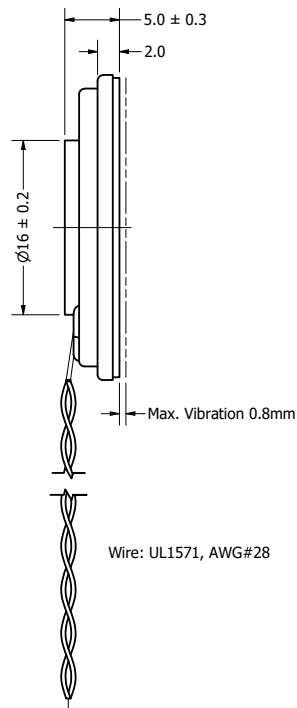


Part Number:	SM280604-2	
	DRAWN	5/4/2018
Description:	Dynamic Speaker	
	CHECKED	5/4/2018
	C.H.	
	APPROVED	5/4/2018
	C.E.	
<small>This document contains data proprietary to DB Unlimited. Any use or reproduction, in any form, without prior written permission of DB Unlimited is prohibited. All terms and conditions can be found at www.dbunlimitedco.com</small>		

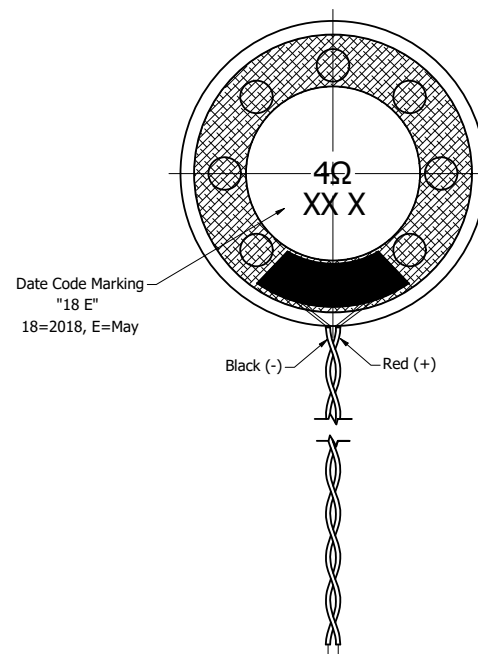
Top View



Side View



Bottom View



Items	Specifications	Conditions
Sound Pressure Level	93	dB (0.2@10cm), Avg.
Resonant Frequency	650	Hz
Frequency Range	650 ~ 20,000	Hz
Nominal Power	0.2	W
Max. Power	0.4	W
Impedance	4	Ω
Cone Material	Mylar	
Mount Type	Lead Wires	
Storage Temperature	-30 ~ +70	°C
Operating Temperature	-20 ~ +60	°C

REVISION HISTORY

REV	DESCRIPTION	DATE	APPROVED
	Released from Engineering	5/4/2018	C.E.
1	Updated SPL distance	8/12/2019	C.E.

NOTES

- 1) All dimensions are in mm unless otherwise noted
- 2) All tolerances are ± 0.5 mm unless otherwise noted
- 3) All parts meet RoHS
- 4) Subject to change or redrawn without notice