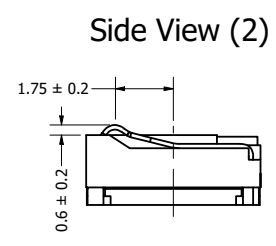
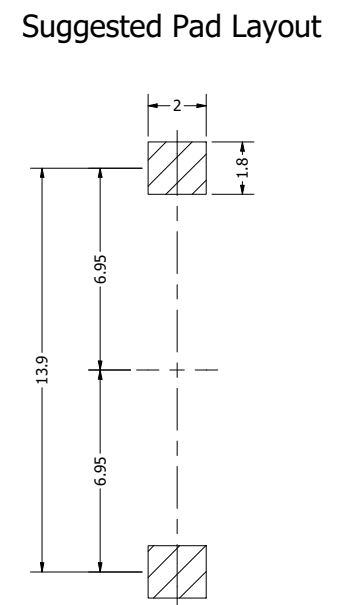
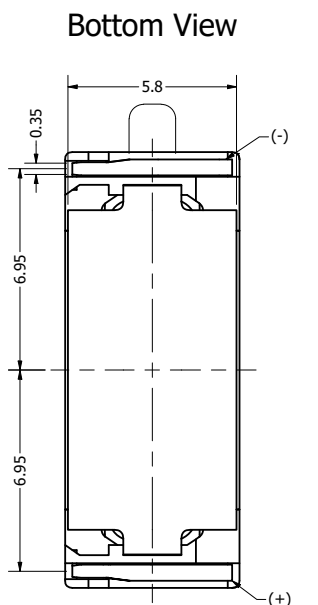
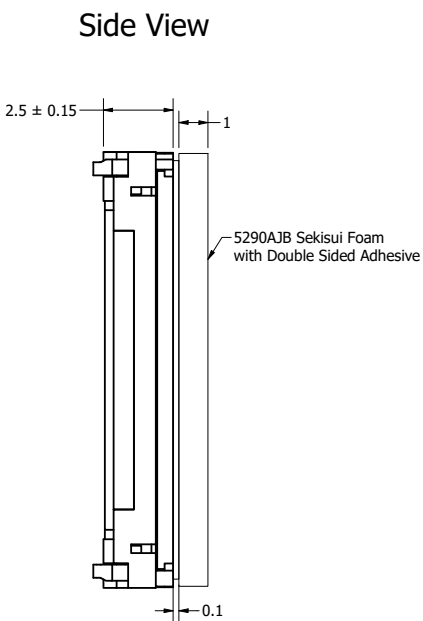
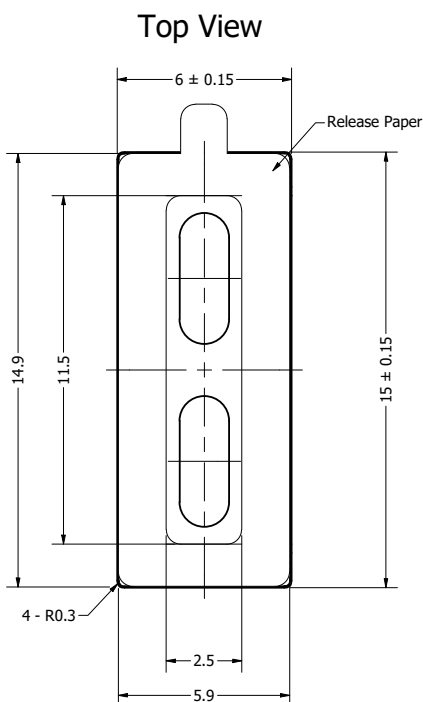


| | | |
|--|--------------------|----------|
| Part Number: | SW150908-1 | |
| Drawn: | CJ | 7/9/2020 |
| Checked: | P.D. | 7/9/2020 |
| Approved: | J.S. | 7/9/2020 |
| Description: | Waterproof Speaker | |
| This document contains data proprietary to DB Unlimited. Any use or reproduction, in any form, without prior written permission of DB Unlimited is prohibited. All terms and conditions can be found at www.dbunlimitedco.com | | |



| Items | Specifications | Conditions |
|-----------------------|----------------|----------------------------------|
| Sound Pressure Level | 86 | dB (@ 0.5W/10cm), In 2cc chamber |
| Resonant Frequency | 1,000 | Hz, In 2cc chamber |
| Frequency Range | 1,000 ~ 20,000 | Hz, In 2cc chamber |
| Nominal Power | 0.5 | W, In 2cc chamber |
| Max. Power | 0.7 | W, In 2cc chamber |
| Impedance | 8 | Ω |
| Cone Material | PEEK | |
| Mount Type | Flush Mount | |
| IP Rating | IPX8 | |
| Storage Temperature | -40 ~ +80 | °C |
| Operating Temperature | -20 ~ +70 | °C |

| REVISION HISTORY | | | |
|------------------|---------------------------|----------|----------|
| REV | DESCRIPTION | DATE | APPROVED |
| | Released from Engineering | 7/9/2020 | J.S. |

| NOTES | | | |
|---|--|--|--|
| 1) All dimensions are in mm unless otherwise noted | | | |
| 2) All tolerances are ± 0.5 mm unless otherwise noted | | | |
| 3) All parts meet RoHS | | | |
| 4) Subject to change or redrawn without notice | | | |