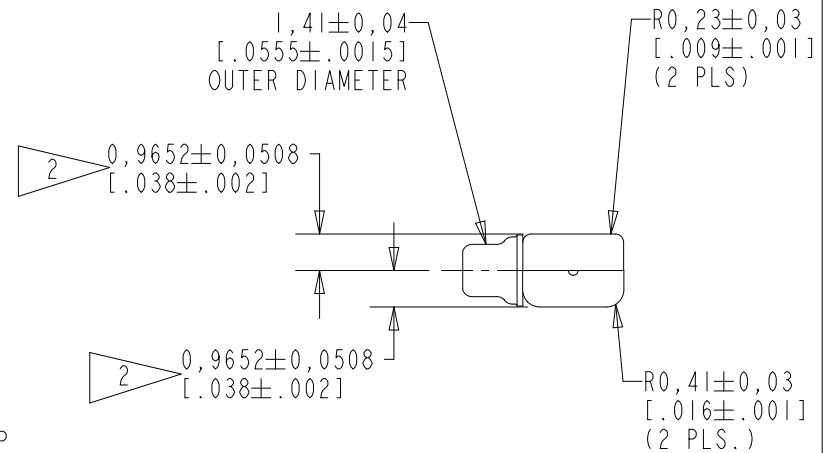
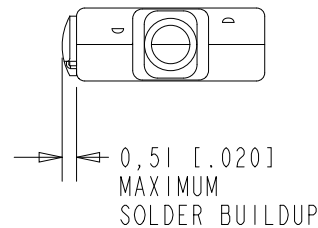
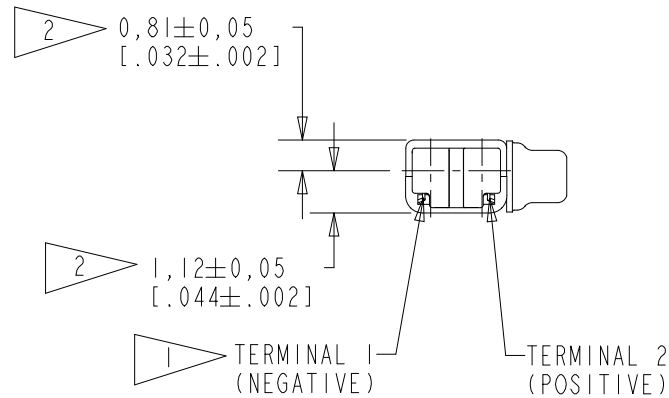
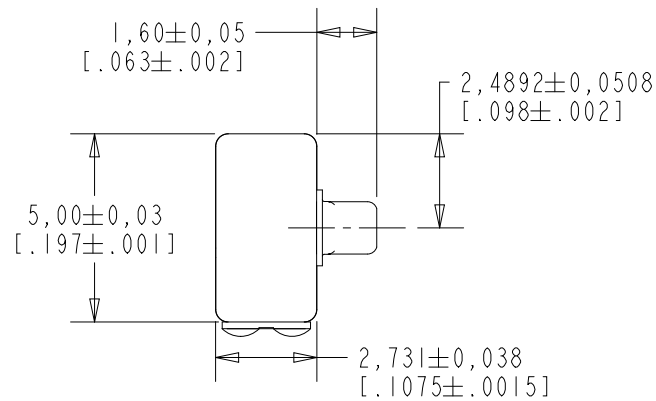


FK-26433-000  
SHT 1.1

NOTES:

- 1 A POSITIVE GOING VOLTAGE AT TERMINAL 2, RELATIVE TO TERMINAL 1, CAUSES A DECREASE IN PRESSURE AT THE SOUND OUTLET.
- 2 LOCATED FROM TWO SURFACES FOR CUSTOMER CONVENIENCE. ONLY APPLICABLE FROM ONE SURFACE, NOT TO BE USED TOGETHER.



SCALE 2:1

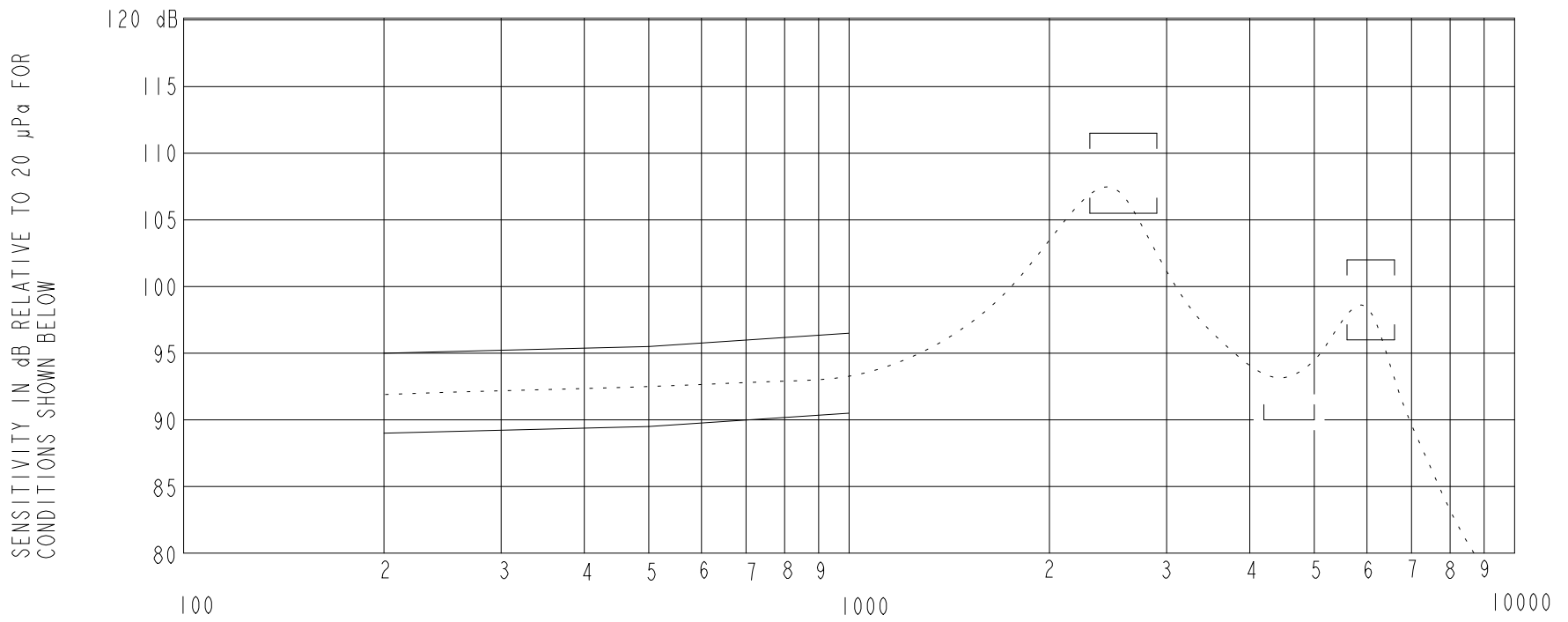
NOMINAL WEIGHT .11 GRAMS

DIMENSIONS IN MILLIMETERS [INCHES]

**KNOWLES ELECTRONICS**  
ITASCA, ILLINOIS U.S.A.

Revision	C.O. #	Implementation Date	RELEASE LEVEL	REVISION
H	PI0003458	10-18-19	Active	H
G	CI0114032	11-7-12		

SCALE: 5:1		DR. BY	DATE
DO NOT SCALE DRAWING		MMM	9-6-05
TITLE: RECEIVER		FK-26433-000	GJP 9-12-05
OUTLINE DRAWING		SHT 1.1	APP. BY DATE GJP 9-12-05



ACOUSTICAL

SENSITIVITY  
 DEVICE PRODUCE THE SPL LISTED BELOW UNDER TEST CONDITIONS IN TABLE 3.  
 NOMINAL SENSITIVITY AT 1KHz IS dB RELATIVE TO 20 μPa.

FREQUENCY (Hz)	MINIMUM	NOMINAL	MAXIMUM
200	89.0	92.0	95.0
500	89.5	92.5	95.5
1000	90.5	93.5	96.5
2300-2900	105.5	110.5	115.5
4200-5000	90.0	---	---
5600-6600	96.0	99.0	102.0

PORT LOCATION: 3S

TABLE 1

TOTAL HARMONIC DISTORTION  
 DEVICE WILL NOT EXCEED TOTAL HARMONIC DISTORTION LEVELS LISTED BELOW.

FREQUENCY (Hz)	AC DRIVE (mA rms)	DC BIAS (mA)	LIMIT (%)
800	0.39	0	5
2400	0.78	0	10

TABLE 2

TEST CONDITIONS

NOMINAL SOURCE VOLTAGE	0.39 mA rms, 0 mA DC BIAS
SOURCE IMPEDANCE	<1 Ohm
TUBING	10mm [.394"] LONG, 1mm [.039"] I.D.
COUPLER CAVITY	2 CM <sup>3</sup> , SIMULATED ANSI S3.7 TYPE HA-3 (IEC 60318-5)

TABLE 3

ELECTRICAL

DC RESISTANCE	580 Ohms ± 10%
IMPEDANCE @ 500 Hz	690 Ohms ± 15%
IMPEDANCE @ 1kHz	940 Ohms ± 15%

TABLE 4

ISOLATION: CASE WILL BE ELECTRICALLY ISOLATED FROM THE COIL CIRCUIT.

Revision	C.O. #	Implementation Date	RELEASE LEVEL	REVISION
H	PI0003458	10-18-19	Active	H
G	CI0114032	11-7-12		
WHEN TEST LIMITS ARE USED TO ESTABLISH INCOMING INSPECTION ACCEPTANCE/REJECTION CRITERIA, CORRELATION OF TEST EQUIPMENT WITH KNOWLES IS ALSO REQUIRED FOR ELIMINATION OF EQUIPMENT AND TEST METHOD VARIATION				
TITLE: RECEIVER		FK-26433-000	DR. BY	DATE
PERFORMANCE SPECIFICATION		SHT 2.1	MMM	9-6-05
			GJP	9-12-05
			APP. BY	DATE
			GJP	9-12-05

**KNOWLES ELECTRONICS**  
 ITASCA, ILLINOIS U.S.A.