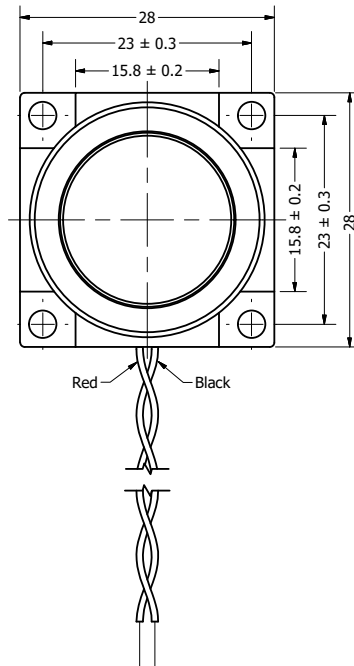
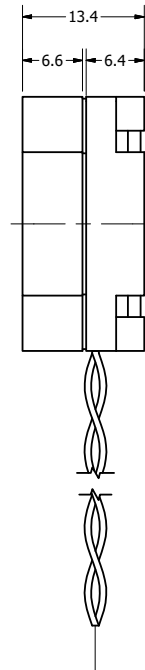


Part Number:	<b>SM280708-2</b>	
	DRAWN	10/13/2017
	CHECKED	10/24/2017
Description:	Dynamic Speaker	APPROVED
		C.E.
This document contains data proprietary to DB Unlimited. Any use or reproduction, in any form, without prior written permission of DB Unlimited is prohibited. All terms and conditions can be found at <a href="http://www.dbunlimitedco.com">www.dbunlimitedco.com</a>		

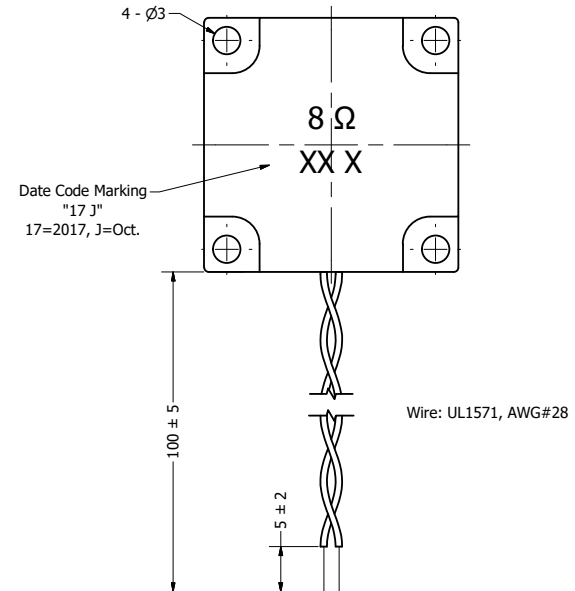
Top View



Side View



Bottom View



Items	Specifications	Conditions
Sound Pressure Level	89	dB (@ 10cm), Avg.
Resonant Frequency	750	Hz
Frequency Range	750 ~ 6,000	Hz
Nominal Power	3	W
Max. Power	4	W
Impedance	8	Ω
Cone Material	PET	
Mount Type	Frame Mount	
Storage Temperature	-40 ~ +85	°C
Operating Temperature	-30 ~ +70	°C
Weight	16.2	g

REVISION HISTORY			
REV	DESCRIPTION	DATE	APPROVED
	Released from Engineering	10/24/2017	C.E.

- NOTES
- 1) All dimensions are in mm unless otherwise noted
  - 2) All tolerances are ± 0.5 mm unless otherwise noted
  - 3) All parts meet RoHS
  - 4) Subject to change or redrawn without notice