

MODEL: CDS-25148 | **DESCRIPTION:** SPEAKER**FEATURES**

- micro-speaker
- small footprint
- rated 1.5 W

**SPECIFICATIONS**

| parameter | conditions/description | min | typ | max | units |
|-------------------------|--|----------|----------|----------|--------------------|
| input power | maximum power: IEC-60268-5, filter 60s on/120s off, 10 cycles at room temp | | 1.5 | 2.0 | W |
| impedance | at 1.4 kHz, 1.0 V | 6.8 | 8 | 9.2 | Ω |
| resonant frequency (Fo) | at 1.0 V | 600 | 750 | 900 | Hz |
| frequency response | output SPL ± 10 dB | Fo | | 20,000 | Hz |
| sound pressure level | at 1.5 W, 0.1 m ave, at 1.0, 1.2, 1.5, 2.0 kHz at 1.0 W, 1.0 m ave, at 1.0, 1.2, 1.5, 2.0 kHz | 91 70 | 94 73 | 97 76 | dB dB |
| distortion | at 1.4 kHz, 1.5 W | | | 5 | % |
| buzz, rattle, etc. | must be normal at sine wave between Fo ~ 20 kHz | | 3.46 | | V |
| polarity | cone will move forward with positive dc current to "+" terminal | | | | |
| dimensions | 25 x 14.0 x 4.5 | | | | mm |
| magnet | Nd-Fe-B, $\varnothing 6.8 \times 1.5$ | | | | mm |
| material | ABS UL-94 1/16" HB (black) | | | | |
| cone material | cloth | | | | |
| terminal | solder pads | | | | |
| weight | | | 1.72 | | g |
| operating temperature | | -20 | | 55 | $^{\circ}\text{C}$ |
| storage temperature | | -30 | | 70 | $^{\circ}\text{C}$ |
| RoHS | yes | | | | |

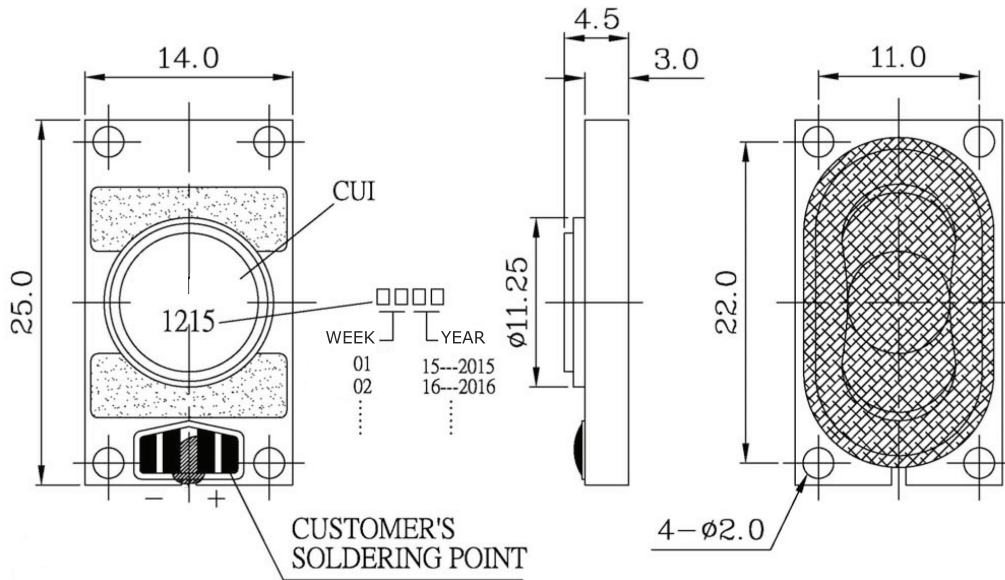
Notes: 1. All specifications measured at 5-35 $^{\circ}\text{C}$, humidity at 45-85%, under 86-106kPa pressure, unless otherwise noted.

SOLDERABILITY

| parameter | conditions/description | min | typ | max | units |
|----------------|-------------------------------|-----|-----|-----|--------------------|
| hand soldering | for maximum 3 ± 1 seconds | 360 | 370 | 380 | $^{\circ}\text{C}$ |

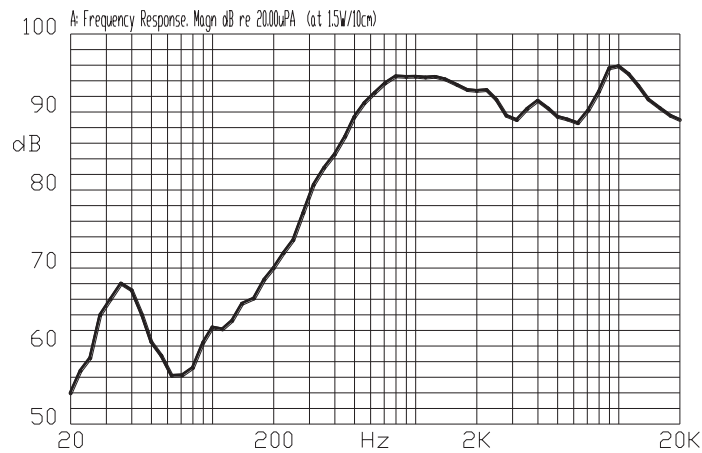
MECHANICAL DRAWING

units: mm
tolerance: ±0.3 mm

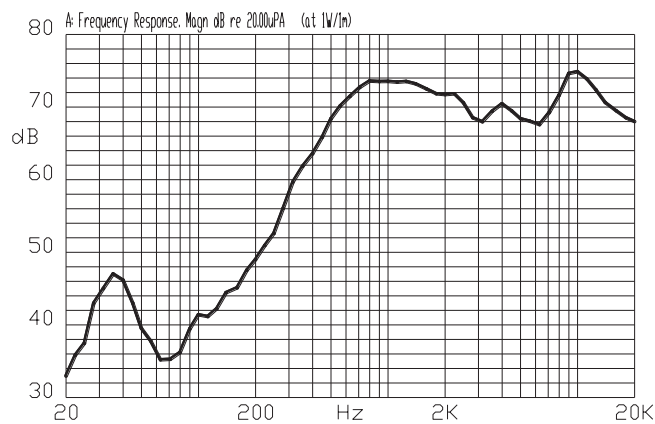


FREQUENCY RESPONSE CURVES

Frequency Response Curve (1.5 W, 0.1m)



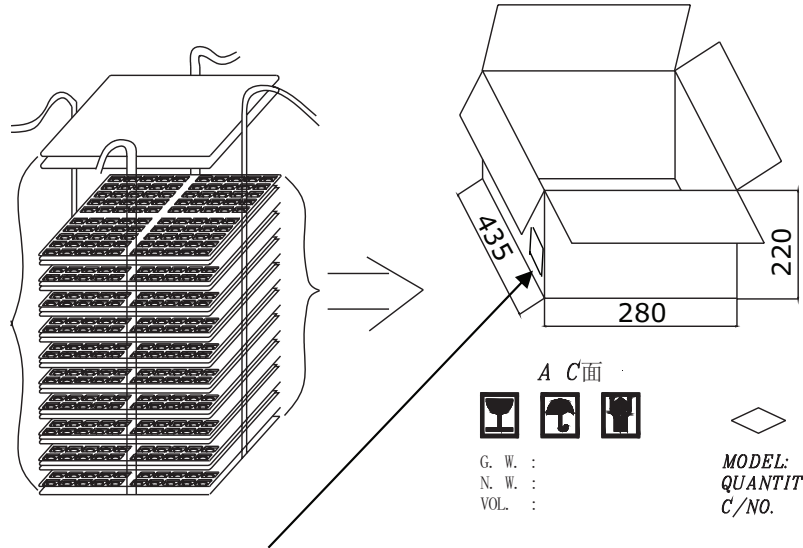
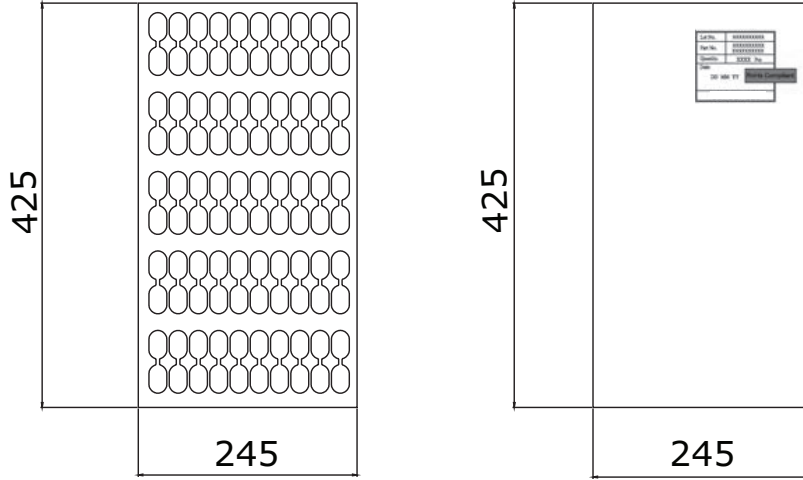
Frequency Response Curve (1.0 W, 1.0m)



PACKAGING

units: mm

Tray Size: 425 x 245 x 11 mm
 Carton Size: 435 x 280 x 220 mm
 Tray QTY: 100 pcs per tray
 Carton QTY: 2,000 pcs per carton



| | |
|-----------|--------------------------|
| Lot No. | XXXXXXXXXX |
| Part No. | XXXXXXXXXX XXXXXXXXXX |
| Quantity. | XXXX Pcs |
| Date: | DD MM YY |
| | RoHS Compliant |

REVISION HISTORY

| rev. | description | date |
|------|------------------------------|------------|
| 1.0 | initial release | 04/28/2015 |
| 1.01 | updated datasheet | 07/23/2015 |
| 1.02 | brand update | 01/22/2020 |
| 1.03 | modified solder pads | 12/16/2020 |
| 1.04 | logo, datasheet style update | 08/05/2022 |

The revision history provided is for informational purposes only and is believed to be accurate.



CUI Devices offers a one (1) year limited warranty. Complete warranty information is listed on our website.

CUI Devices reserves the right to make changes to the product at any time without notice. Information provided by CUI Devices is believed to be accurate and reliable. However, no responsibility is assumed by CUI Devices for its use, nor for any infringements of patents or other rights of third parties which may result from its use.

CUI Devices products are not authorized or warranted for use as critical components in equipment that requires an extremely high level of reliability. A critical component is any component of a life support device or system whose failure to perform can be reasonably expected to cause the failure of the life support device or system, or to affect its safety or effectiveness.

cuidevices.com