

6

5

4

3

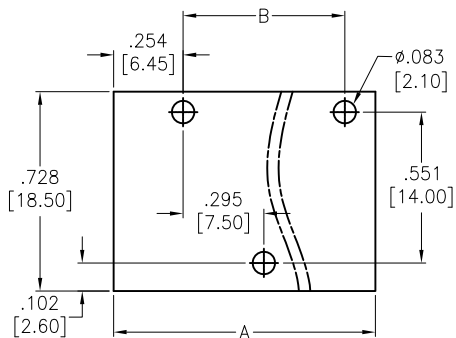
2

1

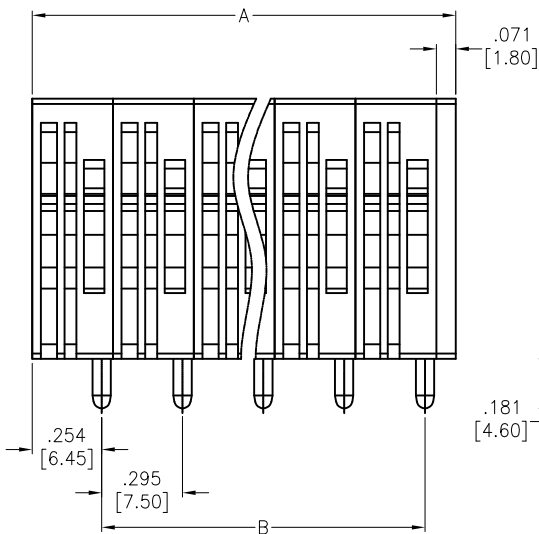
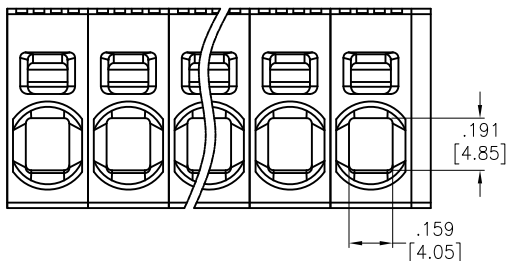
APPROVED: _____

DATE: _____ TITLE: _____

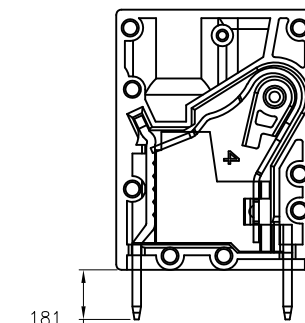
Rev	AWO #	Description	Date	Appr
-		RELEASED	11/26/18	



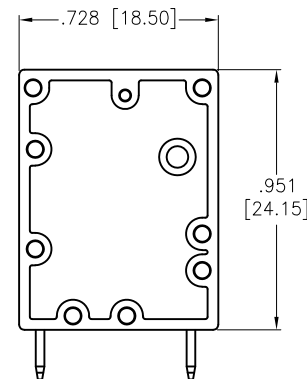
RECOMMENDED PCB LAYOUT



01P 02P 03P xxP



WITHOUT COVER



SPECIFICATIONS:

Material:

Insulator: PA, rated UL 94V-0

Insulator color: Green

Contact: Copper Alloy, Tin plated

Electrical:

Voltage rating: 600 V

Current rating: 40 A

Dielectric withstanding voltage: 2,200 VAC for 1 minute

Mechanical:

Strip length: 15~16mm

Wire Range: 24~8 AWG

Temperature Rating:

Operating temperature: -40°C to +105°C

Environmental:

Lead free, RoHS compliant.

Poles: 01 thru XXP

A = .295 [7.50] X No. of Positions +.071 [1.80]

B = .295 [7.50] X No. of Spaces

UNLESS OTHERWISE SPECIFIED
ALL DIMENSIONS ARE INCHES [MM]
TOLERANCES: EXCEPT AS NOTED

INCHES		HOLES	
.X	± .10	Ø.X	± .10
.XX	± .020	Ø.XX	± .015
.XXX	± .015	Ø.XXX	± .010

ADAM TECH INTERCONNECTS

909 Rahway Avenue,
Union, NJ 07083
Phone: 908-687-5000
Fax: 908-687-5710

TITLE SPRING CLAMP EURO BLOCK, .295 [7.50] PITCH			
SIZE X	PART NO. EB167A-XX-M-180	REV. -	
REF: S00067C	SCALE: NTS	SHEET 1 OF 1	



6

5

4

3

2

1