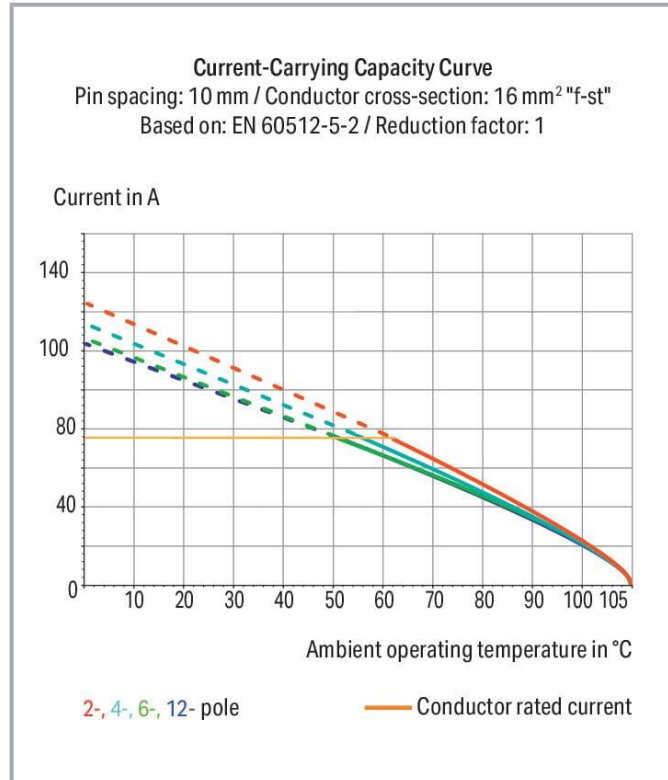


Data sheet | Item number: 2616-1101

PCB terminal block; lever; 16 mm<sup>2</sup>; Pin spacing 10 mm; 1-pole; Push-in CAGE CLAMP®; 16,00 mm<sup>2</sup>; gray



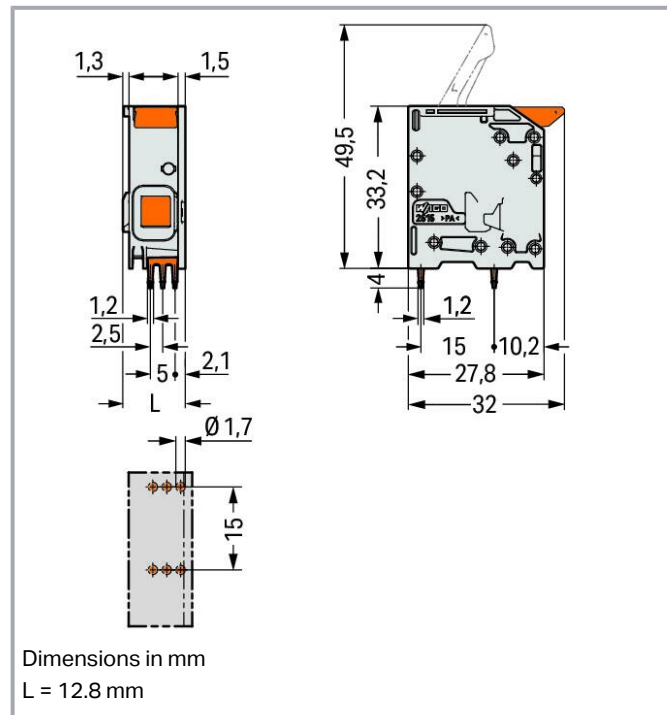
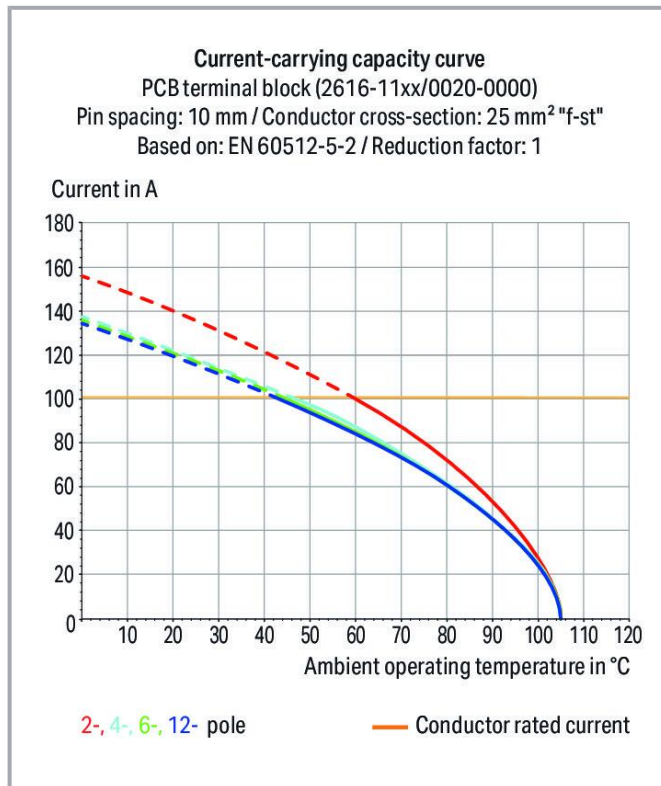
[www.wago.com/2616-1101](http://www.wago.com/2616-1101)



Subject to changes. Please also observe the further product documentation!

WAGO GmbH & Co. KG  
Hansastr. 27  
32423 Minden  
Phone: +49571 887-0 | Fax: +49571 887-169  
Email: [info.de@wago.com](mailto:info.de@wago.com) | Web: [www.wago.com](http://www.wago.com)

Do you have any questions about our products?  
We are always happy to take your call at +49 (571) 887-44222.



## Item description

- PCB terminal blocks with Push-in CAGE CLAMP<sup>®</sup> connection and levers
- Push-in termination of solid and ferruled conductors
- Intuitive and tool-free operation
- Several clamping units can be held open simultaneously, simplifying the connection of multi-core cables
- Testing can be performed both parallel and perpendicular to conductor entry

## Data

### Notes

| Note |  |
|------|--|
|      | The inherent stability of a single-pole PCB terminal block is less than that of a multi-pole terminal strip. The customer must therefore ensure that these terminal blocks are protected against excessive mechanical stress (e.g., torsional or bending stress), both when connecting the conductor and during subsequent use, for example by providing additional support, shortly holding the connected conductor and appropriate actuation instructions. |

| Variants: | Other pole numbers |
|-----------|--------------------|
|           | Direct marking     |

Subject to changes. Please also observe the further product documentation!



Other colors

Other versions (or variants) can be requested from WAGO Sales or configured at <https://configurator.wago.com/>.

## Electrical data

### Ratings per IEC/EN

|                               |   |
|-------------------------------|---|
| Ratings per                   | IEC/EN 60664-1  |
| Nominal voltage (III/3)       | 1000 V  |
| Rated impulse voltage (III/3) | 8 kV  |
| Rated voltage (III/2)         | 1000 V  |
| Rated impulse voltage (III/2) | 8 kV  |
| Nominal voltage (II/2)        | 1000 V  |
| Rated surge voltage (II/2)    | 8 kV  |
| Rated current                 | 76 A  |
| Legend (ratings)              | (III / 2) $\hat{=}$ Overvoltage category III / Pollution degree 2 |

### Ratings per UL

|                                |         |
|--------------------------------|---------|
| Approvals per                  | UL 1059 |
| Rated voltage UL (Use Group B) | 600 V   |
| Rated current UL (Use Group B) | 78 A    |
| Rated voltage UL (Use Group C) | 600 V   |
| Rated current UL (Use Group C) | 78 A    |

### Ratings per CSA

|                                 |        |
|---------------------------------|--------|
| Approvals per                   | CSA    |
| Rated voltage CSA (Use Group B) | 600 V  |
| Rated current CSA (Use Group B) | 72 A   |
| Rated voltage CSA (Use Group C) | 1000 V |
| Rated current CSA (Use Group C) | 72 A   |

### Connection data

|                            |   |
|----------------------------|---|
| Connection points          | 1 |
| Total number of potentials | 1 |
| Number of connection types | 1 |
| Number of levels           | 1 |

Subject to changes. Please also observe the further product documentation!

WAGO GmbH &amp; Co. KG

Hansastr. 27

32423 Minden

Phone: +49571 887-0 | Fax: +49571 887-169

Email: [info.de@wago.com](mailto:info.de@wago.com) | Web: [www.wago.com](http://www.wago.com)

Do you have any questions about our products?

We are always happy to take your call at +49 (571) 887-44222.



## Connection 1

|   |  |
|---|--|
| Connection technology                             | Push-in CAGE CLAMP®                        |
| Actuation type                                    | Lever                                      |
| Solid conductor                                   | 0.75 ... 16 mm <sup>2</sup> / 18 ... 4 AWG |
| Fine-stranded conductor                           | 0.75 ... 25 mm <sup>2</sup> / 18 ... 4 AWG |
| Fine-stranded conductor; with insulated ferrule   | 0.75 ... 16 mm <sup>2</sup>                |
| Fine-stranded conductor; with uninsulated ferrule | 0.75 ... 16 mm <sup>2</sup>                |
| Fine-stranded conductor; with twin ferrule        | 0.75 ... 6 mm <sup>2</sup>                 |
| Strip length                                      | 18 ... 20 mm / 0.71 ... 0.79 inches        |
| Conductor connection direction to PCB             | 0°   |
| Pole number                                       | 1  |

## Physical data

|                                      |                          |
|--------------------------------------|--------------------------|
| Pin spacing                          | 10 mm / 0.394 inches     |
| Width                                | 12.8 mm / 0.504 inches   |
| Height                               | 37.2 mm / 1.465 inches   |
| Height from the surface              | 33.2 mm / 1.307 inches   |
| Depth                                | 32 mm / 1.26 inches      |
| Solder pin length                    | 4 mm                     |
| Solder pin dimensions                | 1.2 x 1.2 mm             |
| Drilled hole diameter with tolerance | 1.7 <sup>(+0.1)</sup> mm |

## PCB contact

|                                     |  |
|-------------------------------------|--|
| PCB contact                         | THT                                      |
| Solder pin arrangement              | Over the entire terminal strip (in-line) |
| Number of solder pins per potential | 6  |

## Material data

|                             |  |
|-----------------------------|--|
| Note (material data)        | Information on material specifications can be found here |
| Color                       | gray   |
| Material group              | I  |
| Insulation material         | Polyamide (PA66)   |
| Flammability class per UL94 | V0   |
| Clamping spring material    | Chrome-nickel spring steel (CrNi)                        |

Subject to changes. Please also observe the further product documentation!

|                  |  |
|------------------|--|
| Contact material | Electrolytic copper (E <sub>Cu</sub> ) |
| Contact plating  | Tin                                    |
| Fire load        | 0.147 MJ                               |
| Actuator color   | orange                                 |
| Weight           | 10.8 g                                 |

### Environmental requirements

|                         |                 |
|-------------------------|-----------------|
| Limit temperature range | -60 ... +105 °C |
| Processing temperature  | -35 ... +60 °C  |

### Commercial data



|                       |               |
|-----------------------|---------------|
| eCl@ss 10.0           | 27-44-04-01   |
| eCl@ss 9.0            | 27-44-04-01   |
| ETIM 8.0              | EC002643      |
| ETIM 7.0              | EC002643      |
| ECCN                  | NO DATA       |
| PU (SPU)              | 100 pcs       |
| Packaging type        | box           |
| Country of origin     | PL            |
| GTIN                  | 4055143692762 |
| Customs tariff number | 85369010000   |

### Environmental Product Compliance

|                        |                         |
|------------------------|-------------------------|
| RoHS Compliance Status | Compliant, No Exemption |
|------------------------|-------------------------|

### Approvals / Certificates

#### General approvals






| Logo   | Approval                                | Additional Approval Text | Certificate name |
|--|---|--------------------------|------------------|
|  | CSA<br>DEKRA Certification B.V.         | C22.2                    | 70154737         |
|  | cURus<br>Underwriters Laboratories Inc. | C22.2 No. 158            | E45172           |
|  | KEMA/KEUR                               | EN 60947-7-4             | 71-              |

Subject to changes. Please also observe the further product documentation!



## Optional accessories

### Ferrule

| Ferrule   |   |
|---|---|
|  | <b>Item no.: 216-210</b><br>Ferrule; Sleeve for 16 mm <sup>2</sup> / AWG 6; insulated; electro-tin plated; electrolytic copper; gastight crimped; <a href="http://www.wago.com/216-210">www.wago.com/216-210</a><br>acc. to DIN 46228, Part 4/09.90; blue   |
|  | <b>Item no.: 216-286</b><br>Ferrule; Sleeve for 2.5 mm <sup>2</sup> / AWG 14; insulated; electro-tin plated; electrolytic copper; gastight crimped; <a href="http://www.wago.com/216-286">www.wago.com/216-286</a><br>acc. to DIN 46228, Part 4/09.90; blue |
|  | <b>Item no.: 216-287</b><br>Ferrule; Sleeve for 4 mm <sup>2</sup> / AWG 12; insulated; electro-tin plated; electrolytic copper; gastight crimped; <a href="http://www.wago.com/216-287">www.wago.com/216-287</a><br>acc. to DIN 46228, Part 4/09.90; gray   |
|  | <b>Item no.: 216-288</b><br>Ferrule; Sleeve for 6 mm <sup>2</sup> / AWG 10; insulated; electro-tin plated; electrolytic copper; gastight crimped; <a href="http://www.wago.com/216-288">www.wago.com/216-288</a><br>acc. to DIN 46228, Part 4/09.90; yellow |
|  | <b>Item no.: 216-289</b><br>Ferrule; Sleeve for 10 mm <sup>2</sup> / AWG 8; insulated; electro-tin plated; electrolytic copper; gastight crimped; <a href="http://www.wago.com/216-289">www.wago.com/216-289</a><br>acc. to DIN 46228, Part 4/09.90; red    |

## Downloads

### Documentation

#### Additional Information

|                        |            |        |          |
|------------------------|------------|--------|----------|
| Technical Section      | 2019 Apr 3 | pdf    | Download |
| Technical explanations |            | 2.1 MB |          |

## CAD/CAE-Data

### CAD data

|                        |     |          |
|------------------------|-----|----------|
| 2D/3D Models 2616-1101 | URL | Download |
|------------------------|-----|----------|

### PCB Design

|  |     |          |
|--|-----|----------|
| Symbol and Footprint via Ultra Librarian 2616-1101 | URL | Download |
|--|-----|----------|

CAX data for your PCB design, consisting of "schematic symbols and PCB footprints", allow easy integration of the WAGO component into your development environment.

Subject to changes. Please also observe the further product documentation!



Supported formats:

- Accel EDA 14 & 15
- Altair
- Altium 6 to current version
- Autodesk Fusion 360
- Cadence Allegro
- DesignSpark
- Eagle Libraries
- KiCad
- Mentor Graphics
- BoardStation
- Mentor Graphics Design Architect
- Mentor Graphics Design
- Expedition 99 and 2000
- OrCAD 9.X PCB and Capture
- PADS PowerPCB 3, 3.5, 4.X, and 5.X
- PADS PowerPCB and PowerLogic 3.0
- PCAD 2000, 2001, 2002, 2004, and 2006
- Pulsonix 8.5 or newer
- STL
- 3D STEP
- TARGET 3001!
- View Logic ViewDraw
- Quadcept
- Zuken CadStar 3 and 4
- Zuken CR-5000 and CR-8000
- Zuken eCADSTAR 2020 and 2021Zuken CR-5000 and CR-8000

PCB Component Libraries (EDA), PCB CAD Library Ultra Librarian

---

Symbol and Footprint via SamacSys 2616-1101

[URL](#)

[Download](#)

CAX data for your PCB design, consisting of "schematic symbols and PCB footprints", allow easy integration of the WAGO component into your development environment.

Supported formats:

- 3D (stp)
- Altium

Subject to changes. Please also observe the further product documentation!

---

WAGO GmbH & Co. KG

Hansastr. 27

32423 Minden

Phone: +49571 887-0 | Fax: +49571 887-169

Email: [info.de@wago.com](mailto:info.de@wago.com) | Web: [www.wago.com](http://www.wago.com)

Do you have any questions about our products?

We are always happy to take your call at +49 (571) 887-44222.



- CADSTAR
- Capture
- CircuitStudio
- CR-5000
- CR-8000
- DEHDL
- DesignSpark PCB
- DesignSpark PCB PRO
- DipTrace
- EAGLE
- Easy-PC
- EasyEDA
- eCADSTAR
- KiCad
- OrCAD\_Allegro16
- PADS
- Proteus
- Pulsonix
- Quadcept
- SOLIDWORKS PCB
- TARGET 3001!
- xDX Designer
- Xpedition

PCB Component Libraries (EDA), PCB CAD Library SamacSys Electronic Component Search Engine

---

#### CAE data

|                        |                     |                          |
|------------------------|---------------------|--------------------------|
| ZUKEN Portal 2616-1101 | <a href="#">URL</a> | <a href="#">Download</a> |
|------------------------|---------------------|--------------------------|

---

#### Asset Administration Shell

|                                      |                     |                          |
|--------------------------------------|---------------------|--------------------------|
| Asset Administration Shell 2616-1101 | <a href="#">URL</a> | <a href="#">Download</a> |
|--------------------------------------|---------------------|--------------------------|

---

## Environmental Product Compliance

### Compliance Search

Environmental Product Compliance 2616-1101

Subject to changes. Please also observe the further product documentation!

---

WAGO GmbH & Co. KG  
Hansastr. 27  
32423 Minden  
Phone: +49571 887-0 | Fax: +49571 887-169  
Email: [info.de@wago.com](mailto:info.de@wago.com) | Web: [www.wago.com](http://www.wago.com)

Do you have any questions about our products?  
We are always happy to take your call at +49 (571) 887-44222.

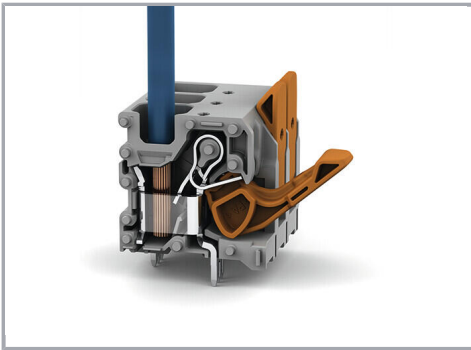


PCB terminal block; lever; 16 mm<sup>2</sup>; Pin spacing 10 mm; 1-pole; Push-in CAGE CLAMP®; 16,00 mm<sup>2</sup>; gray

---

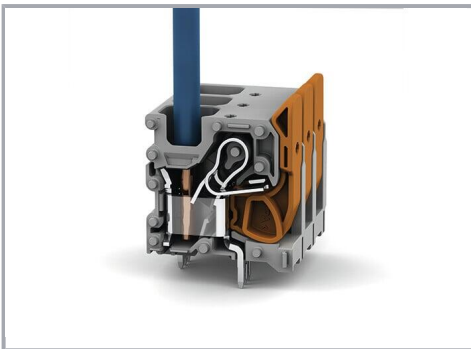
## Installation Notes

### Conductor termination



Insert fine-stranded conductors – and remove all conductors – via operating tool.

### Conductor termination



Insert solid conductors via push-in termination.

Subject to changes. Please also observe the further product documentation!