



Protective collar for pushbutton, 22 mm, 360° metal Viewable from the side

product brand name	SIRIUS ACT
product designation	360° protective collar
design of the product	for pushbuttons, visibility from the side
product type designation	3SU1
General technical data	
protection class IP	IP66, IP67, IP69(IP69K)
degree of protection NEMA rating	1, 2, 3, 3R, 4, 4X, 12
Installation/ mounting/ dimensions	
depth	19.5 mm
Accessories	
material of accessory	Metal
color of accessory	Silver
Certificates/ approvals	
General Product Approval	Declaration of Conformity



[Miscellaneous](#)

[Miscellaneous](#)

Declaration of Conformity	Test Certificates	Marine / Shipping
---------------------------	-------------------	-------------------



[Type Test Certificates/Test Report](#)



Marine / Shipping	other
-------------------	-------



[Confirmation](#)

Further information

Information- and Downloadcenter (Catalogs, Brochures,...)

<https://www.siemens.com/ic10>

Industry Mall (Online ordering system)

<https://mall.industry.siemens.com/mall/en/en/Catalog/product?mlfb=3SU1950-0DK80-0AA0>

Cax online generator

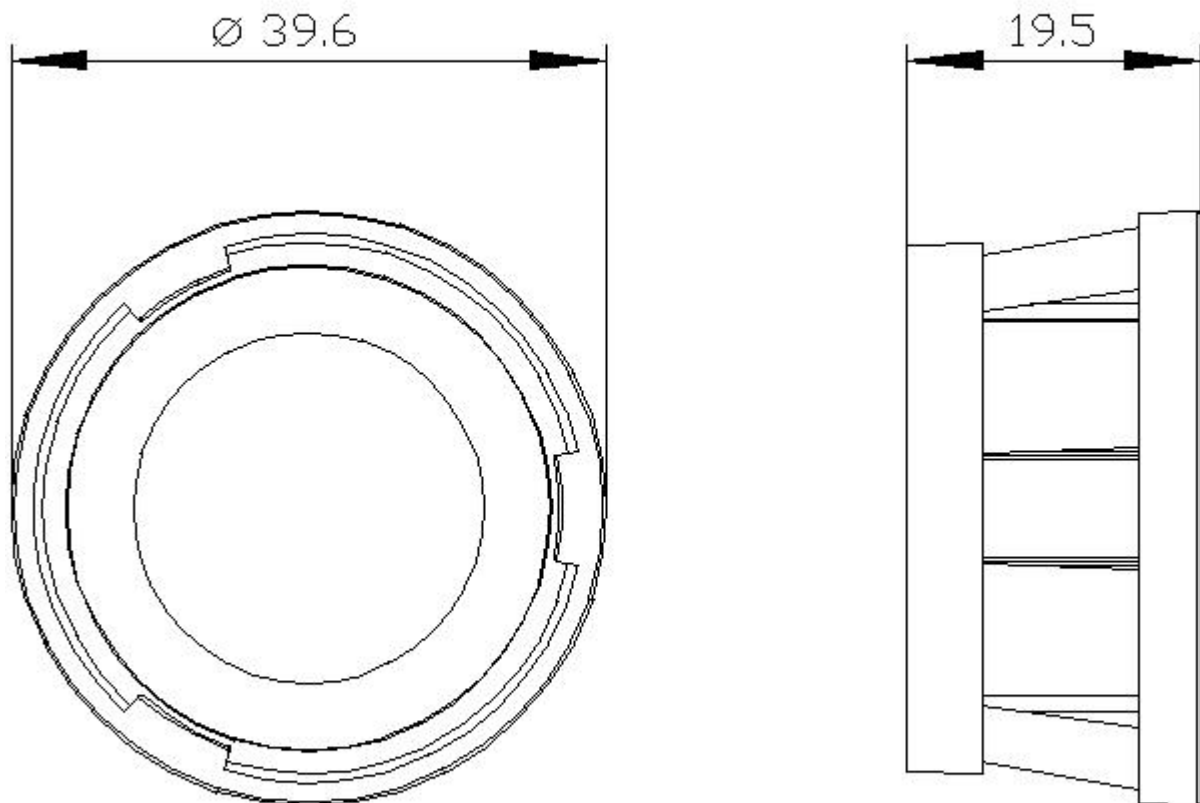
<http://support.automation.siemens.com/WW/CAXorder/default.aspx?lang=en&mlfb=3SU1950-0DK80-0AA0>

Service&Support (Manuals, Certificates, Characteristics, FAQs,...)

<https://support.industry.siemens.com/cs/ww/en/ps/3SU1950-0DK80-0AA0>

Image database (product images, 2D dimension drawings, 3D models, device circuit diagrams, EPLAN macros, ...)

http://www.automation.siemens.com/bilddb/cax_de.aspx?mlfb=3SU1950-0DK80-0AA0&lang=en



last modified:

10/26/2020 