



Actuator head for position switch 3SE52 Roller lever made of stainless steel with Plastic roller 13 mm functional at -40 °C

|   |  |
|---|--|
| <b>product brand name</b>                                 | SIRIUS   |
| <b>product designation</b>                                | actuator head for position switch                    |
| <b>product type designation</b>                           | 3SE5   |
| <b>General technical data</b>                             |  |
| product function positive opening                         | Yes  |
| <b>shock resistance</b>                                   |  |
| • according to IEC 60068-2-27                             | 30g / 11 ms  |
| • for railway applications according to EN 61373          | Category 1, Class B                                  |
| <b>vibration resistance</b>                               |  |
| • according to IEC 60068-2-6                              | 0.35 mm/5g   |
| • for railway applications according to EN 61373          | Category 1, Class B                                  |
| mechanical service life (switching cycles) typical        | 15 000 000   |
| <b>material of the enclosure of the switch head</b>       | plastic  |
| <b>reference code according to IEC 81346-2</b>            | T  |
| <b>active principle</b>                                   | mechanical   |
| <b>Substance Prohibitance (Date)</b>                      | 07/01/2006   |
| <b>minimum actuating force in directions of actuation</b> | 10 N   |
| design of the interface for safety-related communication  | without  |
| <b>Enclosure</b>  |  |
| <b>coating of the enclosure</b>                           | Other types  |
| <b>Drive Head</b>   |  |
| <b>design of the actuating element</b>                    | Roller lever, high-grade steel lever, plastic roller |
| <b>standard-compliant actuator head</b>                   | EN 50047, design E                                   |
| <b>shape of the switch head</b>                           | roller   |
| <b>outer diameter of the switch head</b>                  | 13 mm  |
| <b>Communication/ Protocol</b>                            |  |
| <b>design of the interface</b>                            | without  |
| <b>Ambient conditions</b>                                 |  |
| <b>ambient temperature</b>                                |  |
| • during operation  | -40 ... +85 °C                                       |
| • during storage  | -40 ... +90 °C                                       |
| <b>explosion protection category for dust</b>             | none   |
| <b>Installation/ mounting/ dimensions</b>                 |  |
| <b>mounting position</b>                                  | any  |
| <b>fastening method</b>                                   | lockable plug-in fixing                              |
| <b>Certificates/ approvals</b>                            |  |
| General Product Approval                                  | Declaration of Conformity                            |



[Confirmation](#)



Declaration of  
Conformity

Test Certificates

other



EG-Konf.

[Type Test Certificates/Test Report](#)

[Confirmation](#)

### Further information

Information- and Downloadcenter (Catalogs, Brochures,...)

<https://www.siemens.com/ic10>

Industry Mall (Online ordering system)

<https://mall.industry.siemens.com/mall/en/en/Catalog/product?mlfb=3SE5000-0AE12-1AJ0>

Cax online generator

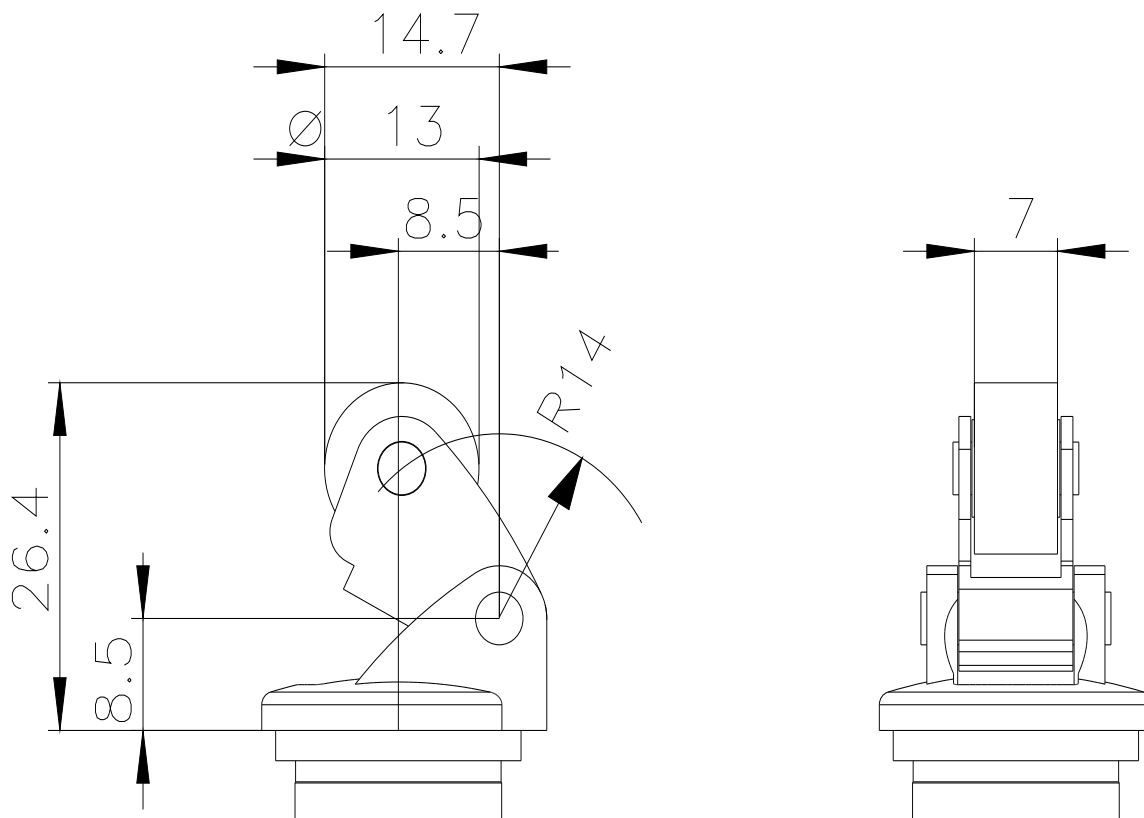
<http://support.automation.siemens.com/WW/CAXorder/default.aspx?lang=en&mlfb=3SE5000-0AE12-1AJ0>

Service&Support (Manuals, Certificates, Characteristics, FAQs,...)

<https://support.industry.siemens.com/cs/ww/en/ps/3SE5000-0AE12-1AJ0>

Image database (product images, 2D dimension drawings, 3D models, device circuit diagrams, EPLAN macros, ...)

[http://www.automation.siemens.com/bilddb/cax\\_de.aspx?mlfb=3SE5000-0AE12-1AJ0&lang=en](http://www.automation.siemens.com/bilddb/cax_de.aspx?mlfb=3SE5000-0AE12-1AJ0&lang=en)



last modified:

12/21/2020