



holder, universal, 3-way, plastic/metal, minimum order quantity 5 or a multiple thereof

product brand name	SIRIUS ACT
product designation	Holders
design of the product	holder, universal for plastic/metal
product type designation	3SU1
manufacturer's article number	
<ul style="list-style-type: none"> of the supplied holder 	3SU1550-0AA10-0AA0
Actuator	
design of the actuating element	3-way without module
number of contact modules	0
Holder	
material of the holder	Plastic
Display	
number of LED modules	0
General technical data	
product function positive opening	No
product component	
<ul style="list-style-type: none"> diode 	No
<ul style="list-style-type: none"> lamp transformer 	No
<ul style="list-style-type: none"> light source 	No
<ul style="list-style-type: none"> series resistor 	No
insulation voltage rated value	500 V
degree of pollution	3
surge voltage resistance rated value	6 kV
shock resistance	
<ul style="list-style-type: none"> according to IEC 60068-2-27 	sinusoidal half-wave 15g / 11 ms
<ul style="list-style-type: none"> for railway applications according to EN 61373 	Category 1, Class B
vibration resistance	
<ul style="list-style-type: none"> according to IEC 60068-2-6 	10 ... 500 Hz: 5g
<ul style="list-style-type: none"> for railway applications according to EN 61373 	Category 1, Class B
reference code according to IEC 81346-2	U
Substance Prohibitance (Date)	10/01/2014
Auxiliary circuit	
number of NC contacts for auxiliary contacts	0
number of NO contacts for auxiliary contacts	0
Connections/ Terminals	
tightening torque of the screws in the bracket	1 ... 1.2 N·m
tightening torque	
<ul style="list-style-type: none"> for grounding 	0.8 ... 1 N·m
Ambient conditions	
ambient temperature	

<ul style="list-style-type: none"> during operation during storage 	-25 ... +70 °C -40 ... +80 °C
environmental category during operation according to IEC 60721	3M6, 3S2, 3B2, 3C3, 3K6 (with relative air humidity of 10 ... 95%, no condensation in operation permitted)

Environmental footprint

Environmental Product Declaration(EPD)	Yes
Global Warming Potential [CO2 eq] total	0.593 kg
Global Warming Potential [CO2 eq] during manufacturing	0.625 kg
Global Warming Potential [CO2 eq] during operation	0.235 kg
Global Warming Potential [CO2 eq] after end of life	-0.267 kg
Siemens Eco Profile (SEP)	Siemens EcoTech

Installation/ mounting/ dimensions

<ul style="list-style-type: none"> fastening method fastening method of modules and accessories 	without Front plate mounting
height	40 mm
width	30 mm
shape of the installation opening	round
installation width	30 mm
installation depth	30.1 mm
thickness of the front plate usable	1 ... 6 mm

Approvals Certificates

General Product Approval



[Confirmation](#)



Test Certificates	Marine / Shipping	other
-------------------	-------------------	-------

[Type Test Certificates/Test Report](#)



[Confirmation](#)

Environment

[EPD Typ II/III \(with lifecycle assessment\)](#)

[Siemens EcoTech Profile \(SEP\)](#)

Further information

Information on the packaging

<https://support.industry.siemens.com/cs/ww/en/view/109813875>

Information- and Downloadcenter (Catalogs, Brochures,...)

<https://www.siemens.com/ic10>

Industry Mall (Online ordering system)

<https://mall.industry.siemens.com/mall/en/en/Catalog/product?mlfb=3SU1550-0AA10-0AA0>

Cax online generator

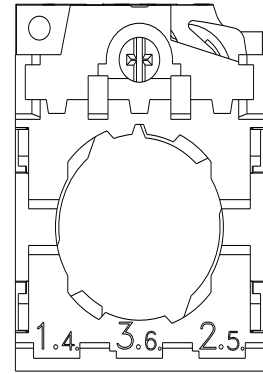
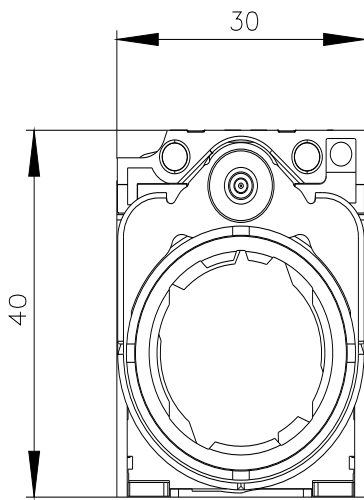
<http://support.automation.siemens.com/WW/CAXorder/default.aspx?lang=en&mlfb=3SU1550-0AA10-0AA0>

Service&Support (Manuals, Certificates, Characteristics, FAQs,...)

<https://support.industry.siemens.com/cs/ww/en/ps/3SU1550-0AA10-0AA0>

Image database (product images, 2D dimension drawings, 3D models, device circuit diagrams, EPLAN macros, ...)

http://www.automation.siemens.com/bilddb/cax_de.aspx?mlfb=3SU1550-0AA10-0AA0&lang=en



last modified:

2/7/2024 