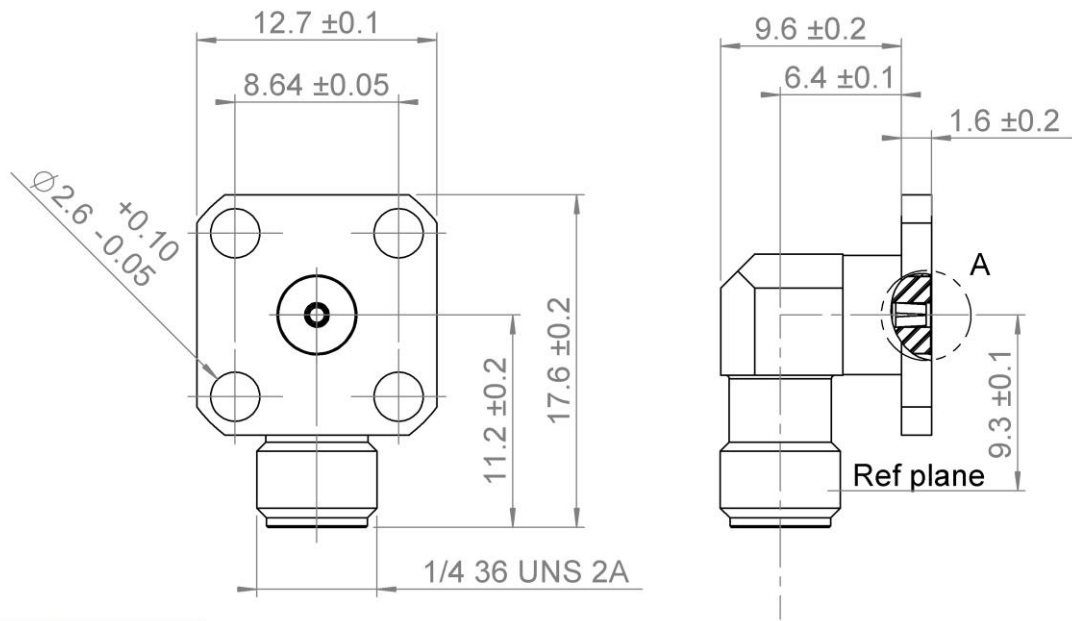
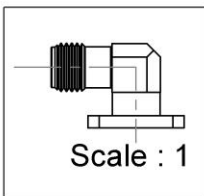


PAGE 1/2	ISSUE 2031A	SERIES SMA-X	PART NUMBER R125670000X
----------	-------------	--------------	--------------------------------

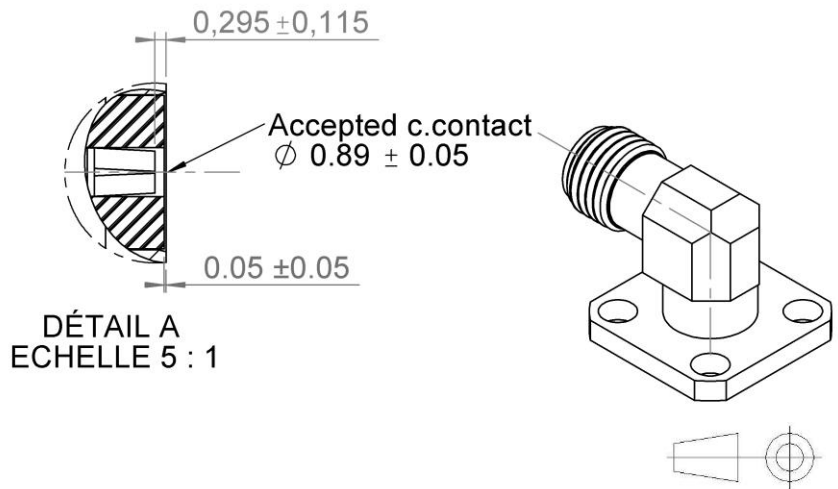


PANEL CUT OUT

	mm	
	Maxi	mini
A	4.2	4.1
B	2.7	2.6
C	8.69	8.59



All dimensions are in mm.



COMPONENTS	MATERIALS	PLATING (µm)
Body	STAINLESS STEEL	GOLD 0.5 OVER NICKEL 2
Center contact	BERYLLIUM COPPER	GOLD 0.5 OVER NICKEL 2
Outer contact		
Insulator	PTFE	
Gasket		
Others parts		
-	-	-
-	-	-

PAGE 2/2	ISSUE 2031A	SERIES SMA-X	PART NUMBER R125670000X
----------	--------------------	---------------------	--------------------------------

PACKAGING

Standard	Unit	Other
1	-	Contact us

ELECTRICAL CHARACTERISTICS

Impedance		50	Ω	
Frequency		0-18	GHz	
VSWR	1.10	+	0,0150	x F(GHz) Maxi
Insertion loss			0.02+0.1	√F(GHz) dB Maxi
RF leakage	-	(90	- F(GHz)) dB Maxi
Voltage rating			335	Vrms Maxi
Dielectric withstanding voltage			1000	Vrms mini
Insulation resistance			5000	MΩ mini

MECHANICAL CHARACTERISTICS

Center contact retention				
Axial force – Mating End		27	N mini	
Axial force – Opposite end		27	N mini	
Torque		2.8	N.cm mini	
Recommended torque				
Mating		80-120	N.cm	
Panel nut		NA	N.cm	
Mating life		500	Cycles Maxi	
Weight		4,9000	g Maxi	

ENVIRONMENTAL

Operating temperature	-65/+165	°C	
Hermetic seal	NA	Atm.cm3/s	
Panel leakage	NA		

SPECIFICATION

RAD-GEN-CONN 001
RAD-DET-CONN 003

OTHER CHARACTERISTICS

Assembly instruction:**NA**

Others: