

PAGE 1/2

ISSUE 30.01.15

SERIE : SPnT

PART NUMBER : R573483520

## RF CHARACTERISTICS

Number of ways : 5  
 Frequency range : 0 - 18 GHz  
 Impedance : 50 Ohms

Frequency (GHz)	DC - 3	3 - 8	8 - 12.4	12.4 - 18
VSWR max	1.20	1.30	1.40	1.50
Insertion loss max	0.20 dB	0.30 dB	0.40 dB	0.50 dB
Isolation min	80 dB	70 dB	60 dB	60 dB
Average power (*)	240 W	150 W	120 W	100 W

## ELECTRICAL CHARACTERISTICS

Actuator : LATCHING  
 Nominal current \*\* : 375 mA  
 Actuator voltage (Vcc) : 28V (24 to 30V)  
 Terminals : solder pins (250°C max. / 30 sec.)  
 Self cut-off time : 40 ms < CT < 120 ms  
 TTL inputs (E) - High level : 2.2 to 5.5 V / 800µA at 5.5 V  
 - Low level : 0 to 0.8 V / 20µA at 0.8 V

## MECHANICAL CHARACTERISTICS

Connectors : SMA female per MIL-C 39012  
 Life : 5.000.000 cycles per position  
 Switching Time\*\*\* : < 40 ms  
 Construction : Splashproof  
 Weight : < 220 g

## ENVIRONMENTAL CHARACTERISTICS

Operating temperature range : -40°C to +85°C  
 Storage temperature range : -55°C to +85°C

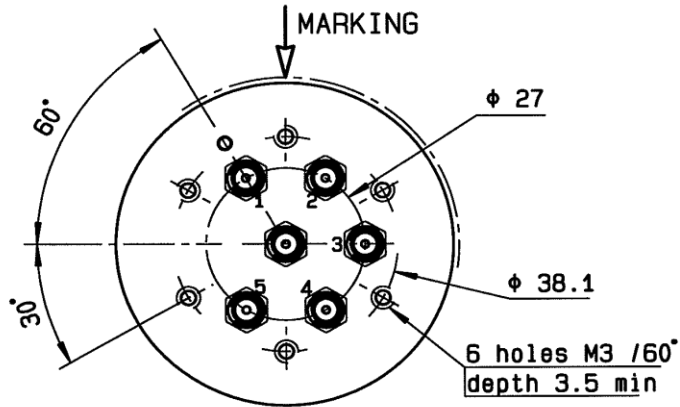
(\* Average power at 25°C per RF Path)

(\*\* At 25° C ±10%)

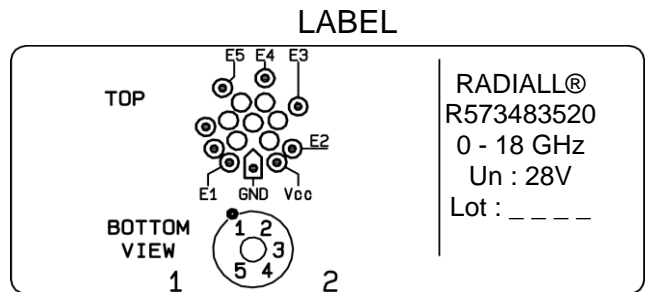
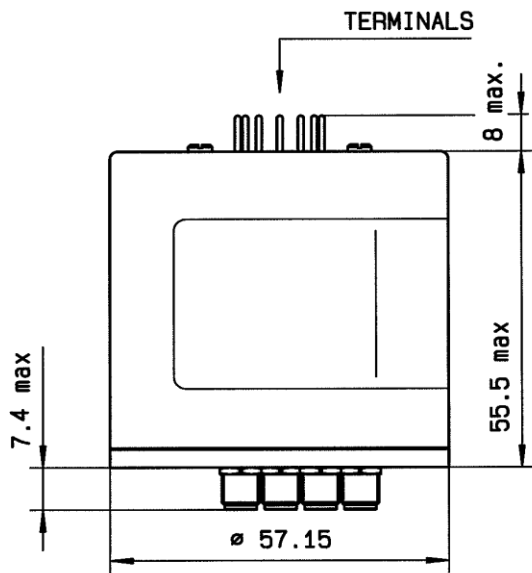
(\*\*\* Nominal voltage ; 25° C)



DRAWING



TTL input	RF Continuity
E1 = 1	IN $\leftrightarrow$ 1
E2 = 1	IN $\leftrightarrow$ 2
E3 = 1	IN $\leftrightarrow$ 3
E4 = 1	IN $\leftrightarrow$ 4
E5 = 1	IN $\leftrightarrow$ 5



General tolerances :  $\pm 0.5$  mm

SCHEMATIC DIAGRAM

