

PAGE 1/2

ISSUE 17.12.14

SERIE : SPnT

PART NUMBER : R574093585

RF CHARACTERISTICS

Number of ways : **5**
 Frequency range : **0 - 3 GHz**
 Impedance : **50 Ohms**

| Frequency (GHz) | DC - 3 |
|--------------------|----------------|
| VSWR max | 1.20 |
| Insertion loss max | 0.20 dB |
| Isolation min | 80 dB |
| Average power (*) | 400 W |

TERMINATION IMPEDANCE : **50 Ohms**
 TERM. AVG. POWER AT 25° C : **1 W per termination / 3 W total power**

ELECTRICAL CHARACTERISTICS

Actuator : **LATCHING**
 Nominal current ** : **375 mA**
 Actuator voltage (Vcc) : **28V (24 to 30V)**
 Terminals : **25 pins D-SUB male connector**
 Indicator rating : **1 W / 30 V / 100 mA**
 Self cut-off time : **40 ms < CT < 120 ms**
 BCD inputs (E) - High level : **3.5 to 5.5 V / 800µA at 5.5 V**
 - Low level : **0 to 1.5 V / 20µA at 0.8 V**

MECHANICAL CHARACTERISTICS

Connectors : **N female per MIL-C 39012**
 Life : **2.000.000 cycles per position**
 Switching Time*** : **< 40 ms**
 Construction : **Splashproof**
 Weight : **< 460 g**

ENVIRONMENTAL CHARACTERISTICS

Operating temperature range : **-40°C to +85°C**
 Storage temperature range : **-55°C to +85°C**

(* Average power at 25°C per RF Path)

(** At 25° C ±10%)

(*** Nominal voltage ; 25° C)



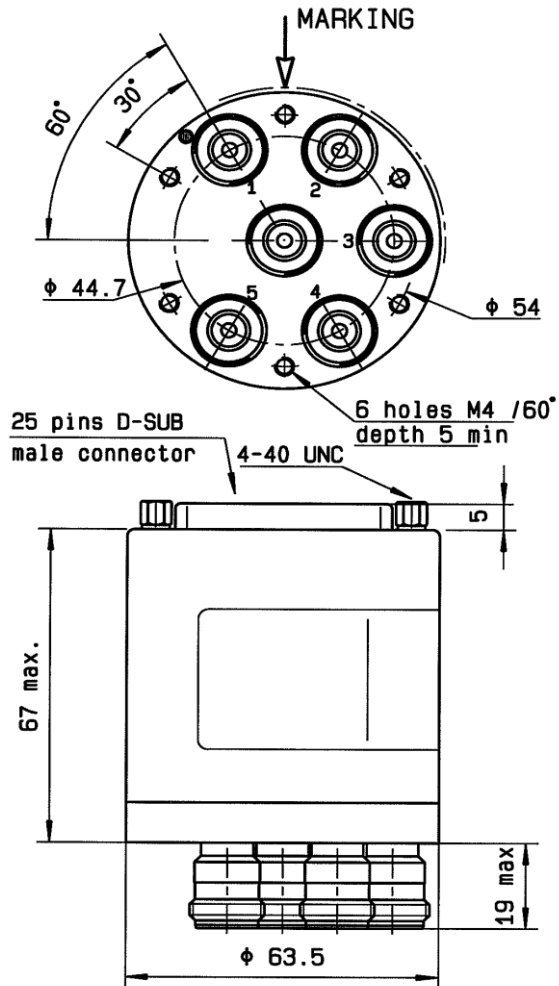
PAGE 2/2

ISSUE 17.12.14

SERIE : SPnT

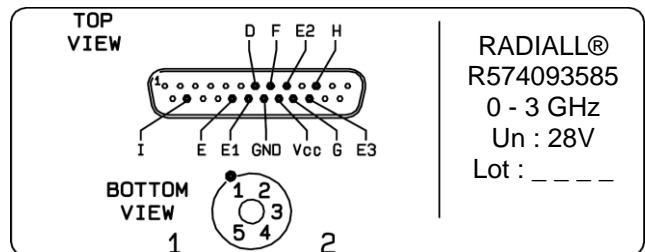
PART NUMBER : R574093585

DRAWING



| BCD TRUTH TABLE | | | | |
|-----------------|----|----|-------------------------------|------|
| E3 | E2 | E1 | RF continuity | Ind. |
| 0 | 0 | 0 | All ports open (Forced Reset) | -- |
| 0 | 0 | 1 | IN ↔ 1 | D.E |
| 0 | 1 | 0 | IN ↔ 2 | D.F |
| 0 | 1 | 1 | IN ↔ 3 | D.G |
| 1 | 0 | 0 | IN ↔ 4 | D.H |
| 1 | 0 | 1 | IN ↔ 5 | D.I |

LABEL



General tolerances : ±0.5 mm

SCHEMATIC DIAGRAM

