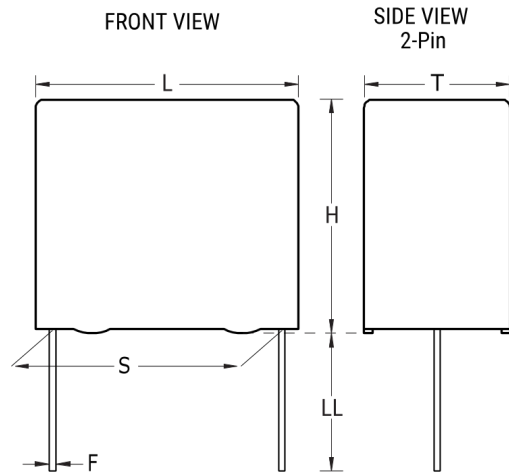


PHE820EB6100KR17

Aliases (F720BQ104K300A)

Obsolete

PHE820E/F720, Film, Metallized Polyester, Safety, 0.1 uF, 10%, 300 VAC (X2), 760 VDC, 100°C, Lead Spacing = 15mm



Click [here](#) for the 3D model.

Dimensions

| | |
|----|---------------|
| L | 18mm MAX |
| H | 16mm MAX |
| T | 8.5mm MAX |
| S | 15mm +/-0.4mm |
| LL | 17mm -1mm |
| F | 0.8mm NOM |
| G | 0.5mm NOM |

Packaging Specifications

| | |
|--------------------|-----------|
| Packaging | Bulk, Bag |
| Packaging Quantity | 400 |

General Information

| | |
|--------------------------|----------------------------------------------------------------|
| Series | PHE820E/F720 |
| Dielectric | Metallized Polyester |
| Style | Radial |
| Features | EMI Safety |
| RoHS | Yes |
| Lead | Wire Leads |
| Safety Class | X2 |
| Qualifications | ENEC, UL, cUL |
| AEC-Q200 | No |
| Typical Component Weight | 3.61 g |
| Miscellaneous | SRF= 4.5 MHz. |
| Notes | Not for new design – the replacement series is: R46 X2 310VAC. |

Specifications

| | |
|-----------------------|--------------|
| Capacitance | 0.1 uF |
| Capacitance Tolerance | 10% |
| Voltage AC | 300 VAC (X2) |
| Voltage DC | 760 VDC |
| Temperature Range | -40/+100°C |
| Rated Temperature | 100°C |
| Dissipation Factor | 1% 1kHz |
| Insulation Resistance | 30 GOhms |
| Max dV/dt | 100 V/us |