

# GaN Power Transistor, 28 V, 5 W DC - 6 GHz



NPTB00004A

Rev. V2

## Features

- GaN on Si HEMT D-Mode Transistor
- Suitable for linear and saturated applications
- Tunable from DC - 6 GHz
- 28 V Operation
- 14.8 dB Gain @ 2.5 GHz
- 57 % Drain Efficiency @ 2.5 GHz
- 100 % RF Tested
- Industry standard SOIC plastic package
- RoHS\* Compliant

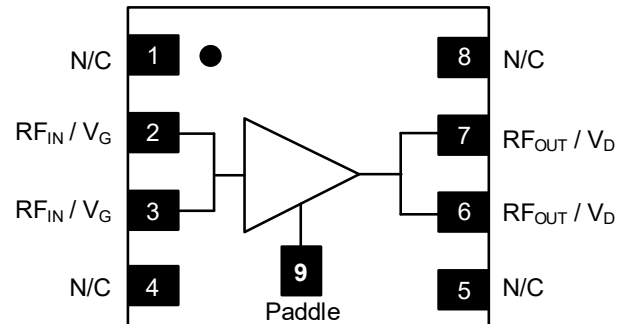
## Applications

- Defense Communications
- Land Mobile Radio
- Avionics
- Wireless Infrastructure
- ISM
- VHF/UHF/L/S-Band Radar

## Description

The NPTB00004A GaN HEMT is a power transistor optimized for DC - 6 GHz operation. This device supports CW, pulsed, and linear operation with output power levels to 5 W (37 dBm) in an industry standard surface mount plastic package.

## Functional Schematic



## Pin Configuration

Pin #	Pin Name	Function
1, 4, 5, 8	N/C	No Connection
2, 3	RF <sub>IN</sub> / V <sub>G</sub>	RF Input / Gate
6, 7	RF <sub>OUT</sub> / V <sub>D</sub>	RF Output / Drain
9	Paddle <sup>1</sup>	Ground / Source

1. The exposed pad centered on the package bottom must be connected to RF and DC ground. This path must also provide a low thermal resistance heat path.

## Ordering Information

Part Number	Package
NPTB00004A	bulk quantity
NPTB00004A-SMB	sample board

\* Restrictions on Hazardous Substances, compliant to current RoHS EU directive.

# GaN Power Transistor, 28 V, 5 W

## DC - 6 GHz



NPTB00004A

Rev. V2

### RF Electrical Specifications: $T_C = 25^\circ\text{C}$ , $V_{DS} = 28\text{ V}$ , $I_{DQ} = 50\text{ mA}$

Parameter	Test Conditions	Symbol	Min.	Typ.	Max.	Units
Small Signal Gain	CW, 2.5 GHz	$G_{SS}$	-	16	-	dB
Saturated Output Power	CW, 2.5 GHz	$P_{SAT}$	-	37.1	-	dBm
Drain Efficiency at Saturation	CW, 2.5 GHz	$\eta_{SAT}$	-	63.7	-	%
Power Gain	2.5 GHz, $P_{OUT} = 4\text{ W}$	$G_P$	12.8	14.8	-	dB
Drain Efficiency	2.5 GHz, $P_{OUT} = 4\text{ W}$	$\eta$	45	57	-	%
Ruggedness: Output Mismatch	All phase angles	$\Psi$	VSWR = 15:1, No Device Damage			

### DC Electrical Characteristics: $T_C = 25^\circ\text{C}$

Parameter	Test Conditions	Symbol	Min.	Typ.	Max.	Units
Drain-Source Leakage Current	$V_{GS} = -8\text{ V}$ , $V_{DS} = 100\text{ V}$	$I_{DLK}$	-	-	2	mA
Gate-Source Leakage Current	$V_{GS} = -8\text{ V}$ , $V_{DS} = 0\text{ V}$	$I_{GLK}$	-	-	1	mA
Gate Threshold Voltage	$V_{DS} = 28\text{ V}$ , $I_D = 2\text{ mA}$	$V_T$	-2.5	-1.6	-0.5	V
Gate Quiescent Voltage	$V_{DS} = 28\text{ V}$ , $I_D = 50\text{ mA}$	$V_{GSQ}$	-2.1	-1.3	-0.3	V
On Resistance	$V_{DS} = 2\text{ V}$ , $I_D = 15\text{ mA}$	$R_{ON}$	-	1.6	-	$\Omega$
Maximum Drain Current	$V_{DS} = 7\text{ V}$ pulsed, pulse width 300 $\mu\text{s}$	$I_{D,MAX}$	-	1.4	-	A

### Absolute Maximum Ratings<sup>2,3,4</sup>

Parameter	Absolute Maximum
Drain Source Voltage, $V_{DS}$	100 V
Gate Source Voltage, $V_{GS}$	-10 to 3 V
Gate Current, $I_G$	4 mA
Junction Temperature, $T_J$	+200°C
Operating Temperature	-40°C to +85°C
Storage Temperature	-65°C to +150°C

2. Exceeding any one or combination of these limits may cause permanent damage to this device.
3. MACOM does not recommend sustained operation near these survivability limits.
4. Operating at nominal conditions with  $T_J \leq 200^\circ\text{C}$  will ensure  $\text{MTTF} > 1 \times 10^6$  hours.

### Thermal Characteristics<sup>5</sup>

Parameter	Test Conditions	Symbol	Typical	Units
Thermal Resistance	$V_{DS} = 28 \text{ V}, T_J = 180^\circ\text{C}$	$R_{\theta JC}$	15	°C/W

5. Junction temperature ( $T_J$ ) measured using IR Microscopy. Case temperature measured using thermocouple embedded in heat-sink.

### Handling Procedures

Please observe the following precautions to avoid damage:

### Static Sensitivity

Gallium Nitride Circuits are sensitive to electrostatic discharge (ESD) and can be damaged by static electricity. Proper ESD control techniques should be used when handling these HBM Class 1A devices.

# GaN Power Transistor, 28 V, 5 W DC - 6 GHz



NPTB00004A

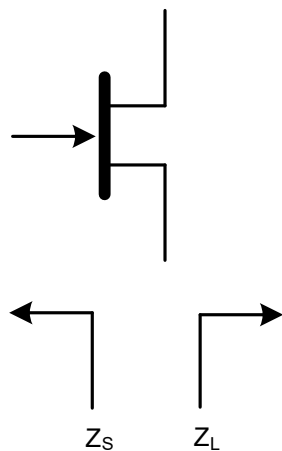
Rev. V2

**Load-Pull Performance:  $V_{DS} = 28\text{ V}$ ,  $I_{DQ} = 50\text{ mA}$ ,  $T_C = 25^\circ\text{C}$**

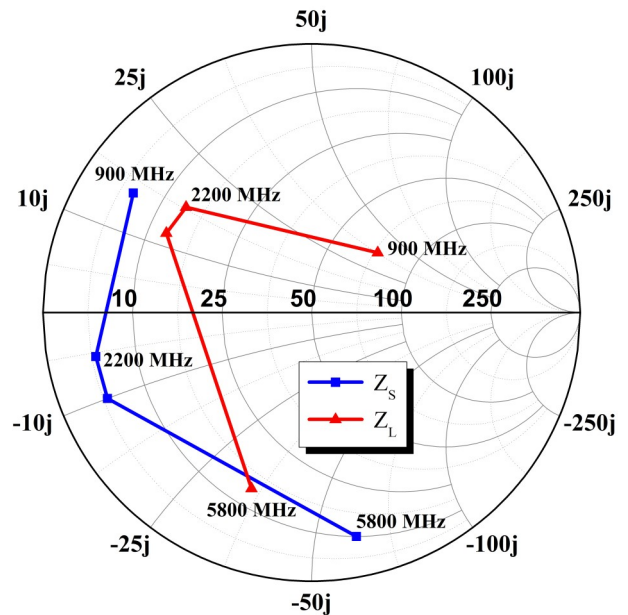
Reference Plane at Device Leads, CW Drain Efficiency and Output Power Tradeoff Impedance

Frequency (MHz)	$Z_S$ ( $\Omega$ )	$Z_L$ ( $\Omega$ )	$P_{SAT}$ (W)	$G_{SS}$ (dB)	Drain Efficiency @ $P_{SAT}$ (%)
900	$6.1 + j15$	$72 + j36$	7.0	23.0	68
2200	$5.0 - j5.0$	$14 + j17$	6.7	19.0	66
2700	$5.0 - j10$	$13 + j12$	6.7	17.0	62
5800	$10 - j60$	$14 - j34$	6.5	52	

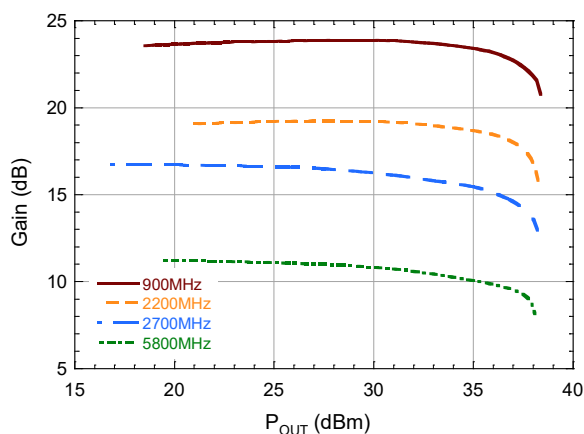
### Impedance Reference



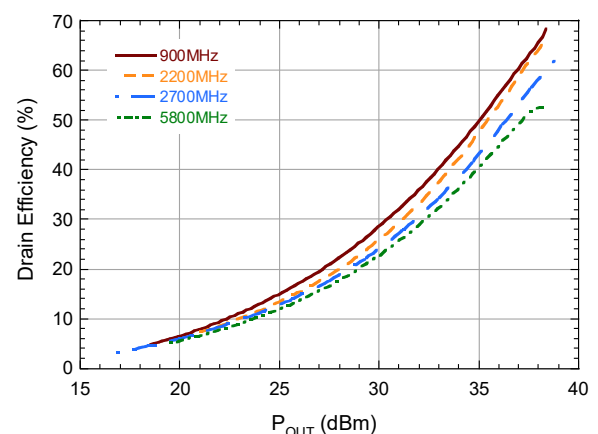
### $Z_S$ and $Z_L$ vs. Frequency



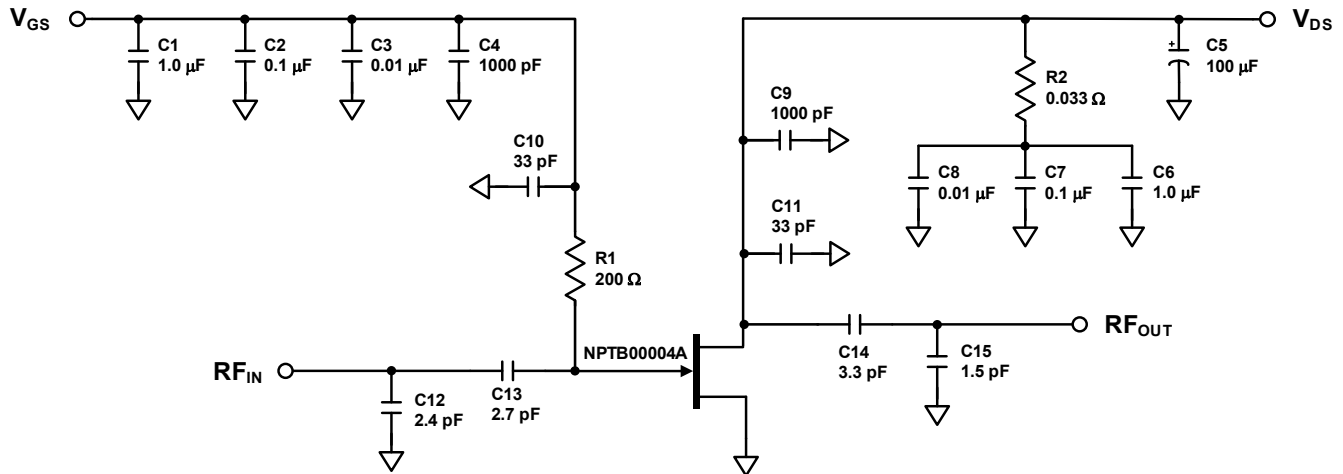
### Gain vs. Output Power



### Drain Efficiency vs. Output Power



**Evaluation Board and Recommended Tuning Solution**  
2.5 GHz Narrowband Circuit



**Description**

Parts measured on evaluation board (20-mil thick RO4350). The PCB's electrical and thermal ground is provided using a standard-plated densely packed via hole array (see recommended via pattern).

Matching is provided using a combination of lumped elements and transmission lines as shown in the simplified schematic above. Recommended tuning solution component placement, transmission lines, and details are shown on the next page.

**Bias Sequencing**

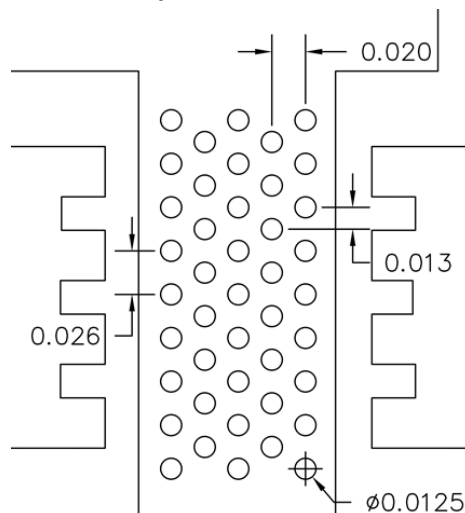
**Turning the device ON**

1. Set  $V_{GS}$  to the pinch-off ( $V_P$ ), typically -5 V.
2. Turn on  $V_{DS}$  to nominal voltage (28 V).
3. Increase  $V_{GS}$  until the  $I_{DS}$  current is reached.
4. Apply RF power to desired level.

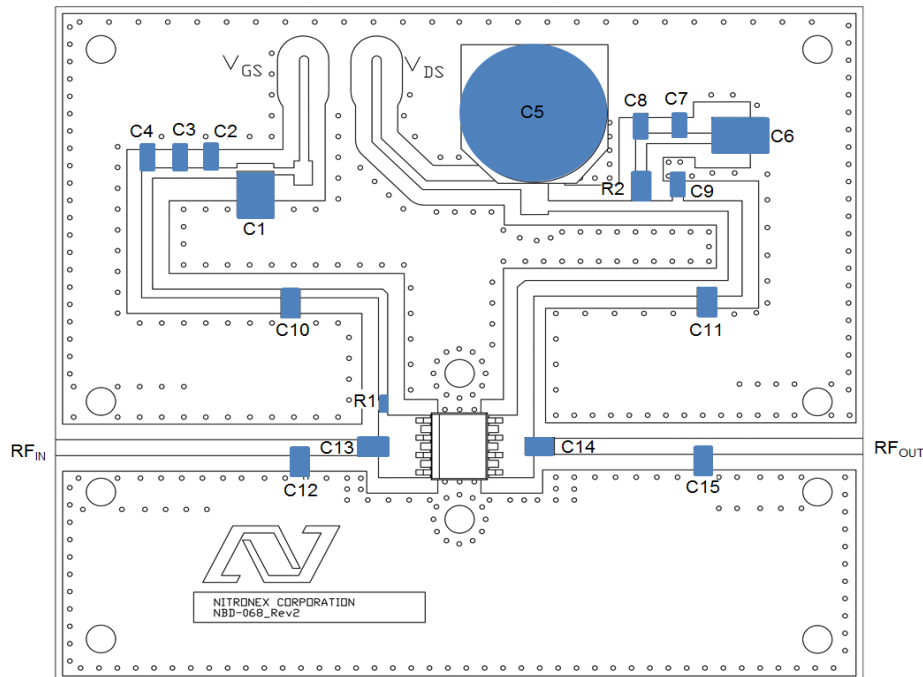
**Turning the device OFF**

1. Turn the RF power off.
2. Decrease  $V_{GS}$  down to  $V_P$ .
3. Decrease  $V_{DS}$  down to 0 V.
4. Turn off  $V_{GS}$ .

**Recommended Via Pattern (All dimensions shown as inches)**



**Evaluation Board and Recommended Tuning Solution**  
2.5 GHz Narrowband Circuit

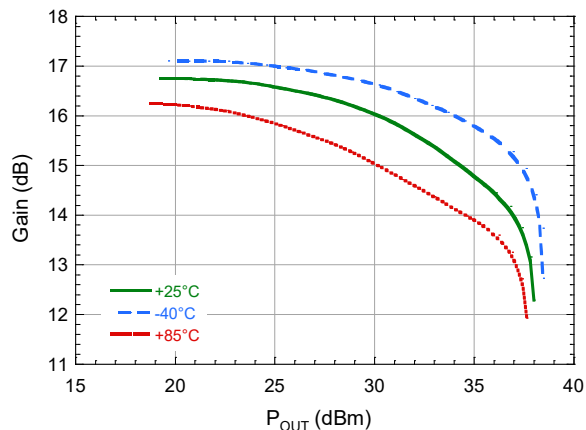


**Parts list**

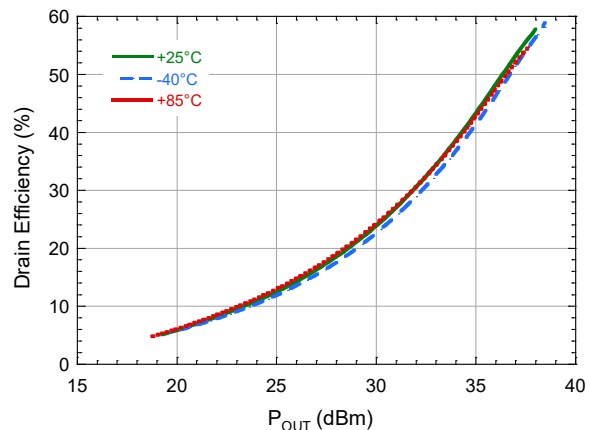
Reference	Value	Tolerance	Manufacturer	Part Number
C1, C6	1.0 $\mu$ F	10%	AVX	12101C105KAT2A
C2, C7	0.1 $\mu$ F	10%	Murata	GRM188R72A104KA35D
C3, C8	0.01 $\mu$ F	10%	AVX	06031C103KAT2A
C4, C9	1000 pF	10%	AVX	06031C102KAT2A
C5	100 $\mu$ F	20%	Panasonic	ECE-V1JA101P
C10, C11	33 pF	5%	ATC	ATC600F330JT
C12	2.4 pF	5%	ATC	ATC600F2R4JT
C13	2.7 pF	5%	ATC	ATC600F2R7JT
C14	3.3 pF	5%	ATC	ATC600F3R3JT
C15	1.5 pF	5%	ATC	ATC600F1R5JT
R1	200 $\Omega$	5%	Panasonic	ERJ-2GEJ201X
R2	0.33 $\Omega$	1%	Susumu	RL1220S-R33-F
PCB	Rogers RO4350, $\epsilon_r = 3.5$ , 20 mil			

**Typical Performance as measured in the 2.5 GHz evaluation board:  
CW,  $V_{DS} = 28\text{ V}$ ,  $I_{DQ} = 50\text{ mA}$  (unless noted)**

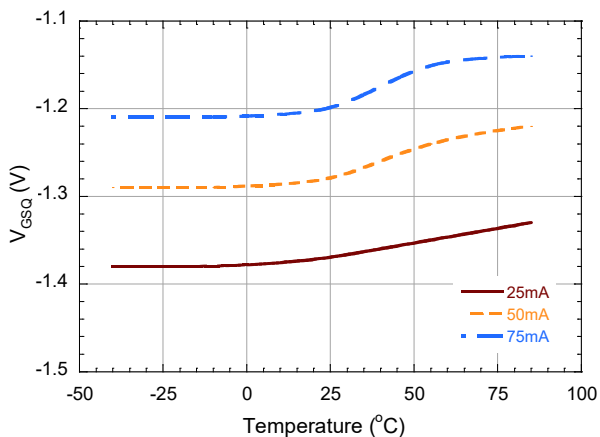
**Gain vs. Output Power over Temperature**



**Drain Efficiency vs. Output Power over Temperature**

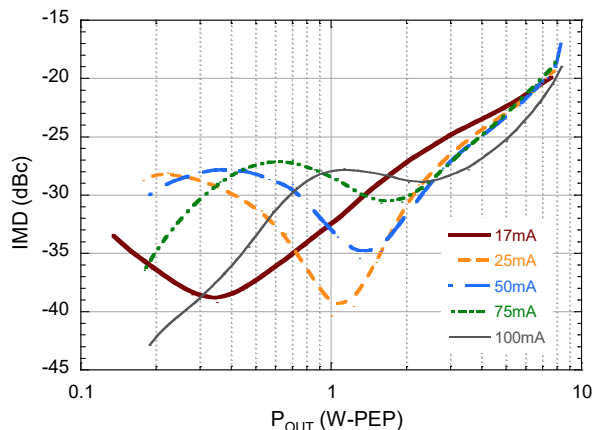


**Quiescent  $V_{GS}$  vs. Temperature**

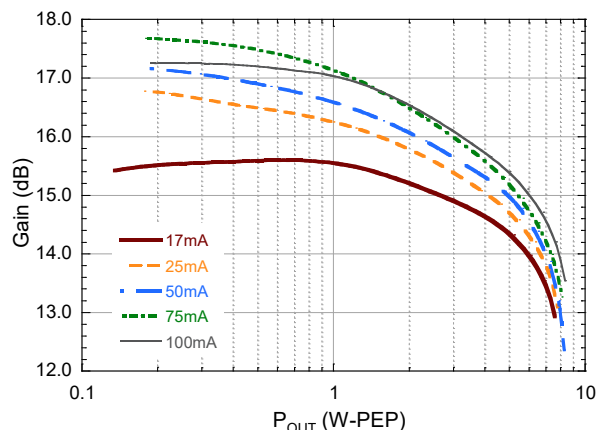


Typical 2-Tone Performance as measured in the 2.5 GHz evaluation board:  
1 MHz Tone Spacing,  $V_{DS} = 28\text{ V}$ ,  $I_{DQ} = 50\text{ mA}$ ,  $T_C = 25^\circ\text{C}$  (unless noted)

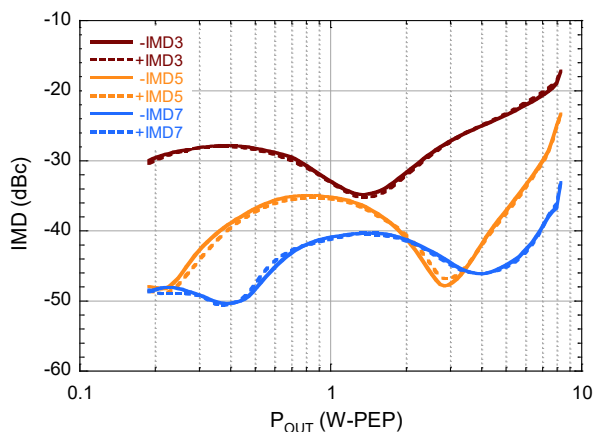
2-Tone IMD3 vs. Output Power vs. Quiescent Current



2-Tone Gain vs. Output Power vs. Quiescent Current

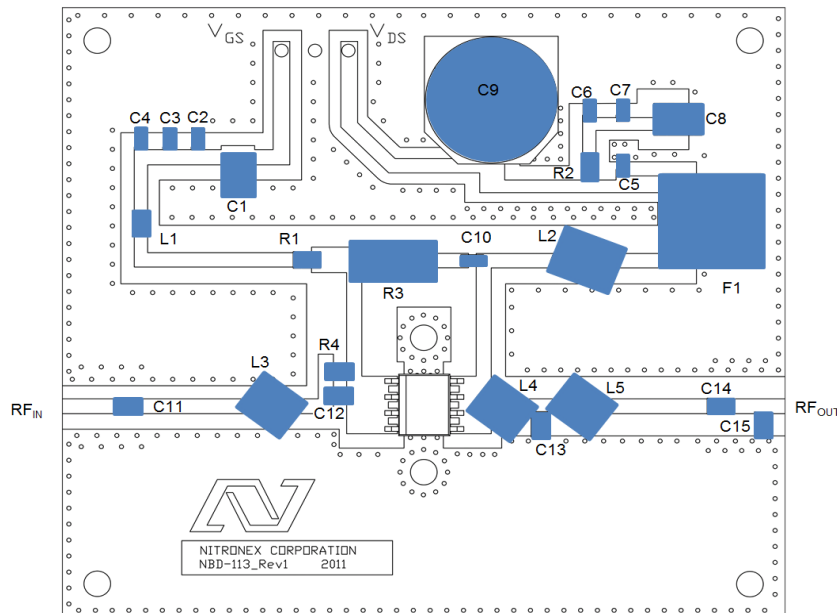


2-Tone IMD vs. Output Power





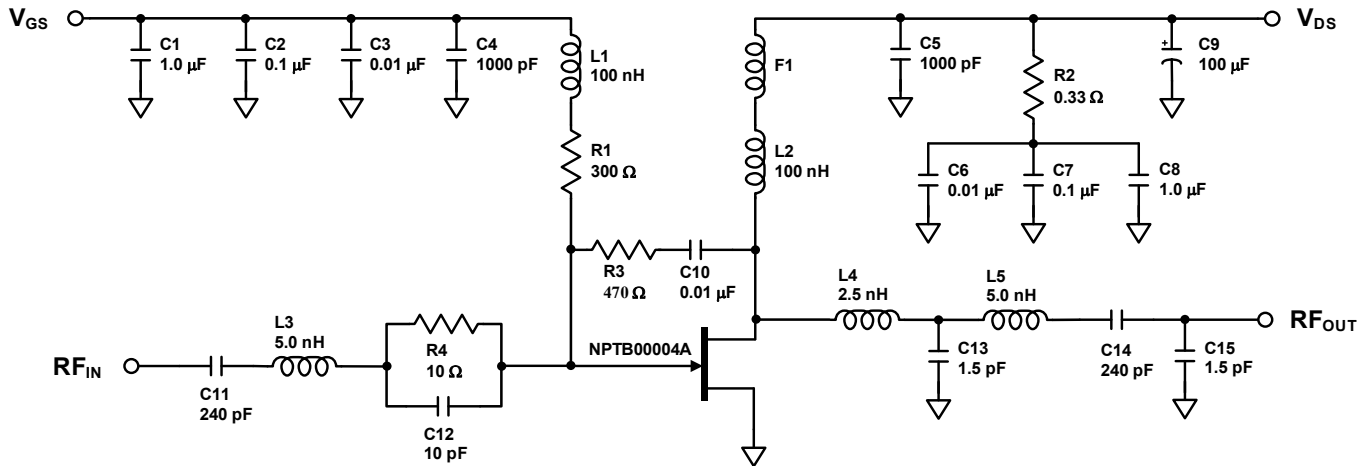
**Evaluation Board and Recommended Tuning Solution**  
100-800 MHz BroadBand Circuit



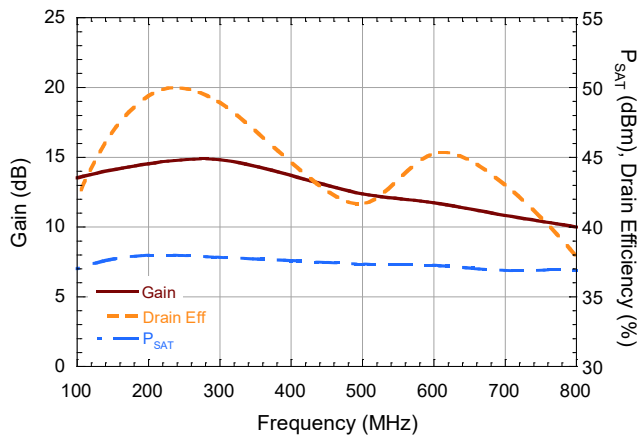
**Parts list**

Reference	Value	Tolerance	Manufacturer	Part Number
C1, C8	1.0 $\mu$ F	10%	AVX	12101C105KAT2A
C2, C7	0.1 $\mu$ F	10%	Murata	GRM188R72A104KA35D
C3, C6, C10	0.01 $\mu$ F	10%	AVX	06031C103KAT2A
C4, C5,	1000 pF	10%	AVX	06031C102KAT2A
C9	100 $\mu$ F	20%	Panasonic	ECE-V1JA101P
C11, C14	240 pF	0.1 pF	ATC	ATC600F241F
C12	10 pF	0.1 pF	ATC	ATC600F100B
C13, C15	1.5 pF	5%	ATC	ATC600F1R5J
F1	Material 73	-	Fair-Rite	2673000801
L1	100 nH	5%	Coilcraft	0805CS-101XJ
L2	100 nH	5%	Coilcraft	1812SMS-R10
L3, L5	5 nH	10%	Coilcraft	A02TKLJ
L4	2.5 nH	10%	Coilcraft	A01TKLJ
R1	300 $\Omega$	5%	Panasonic	ERJ-14YJ301U
R2	0.33 $\Omega$	1%	Susumu	RL1220S-R33-F
R3	470 $\Omega$	1%	Stackpole	RHC2512FT470R
R4	10 $\Omega$	5%	Panasonic	ERJ-14YJ100U
PCB	Rogers RO4350, $\epsilon_r=3.5$ , 0.020"			

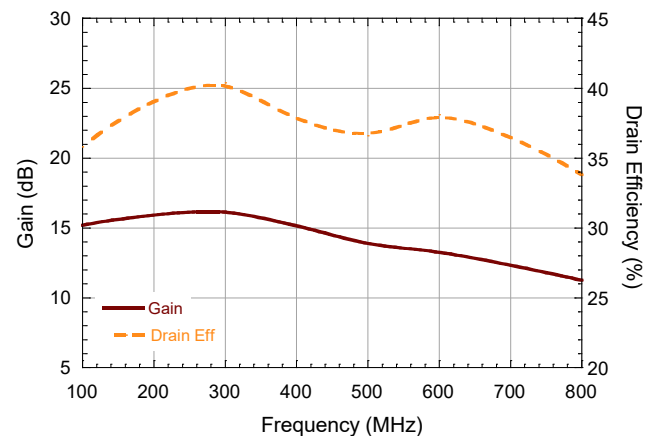
Evaluation Board and Recommended Tuning Solution  
100-800 MHz BroadBand Circuit



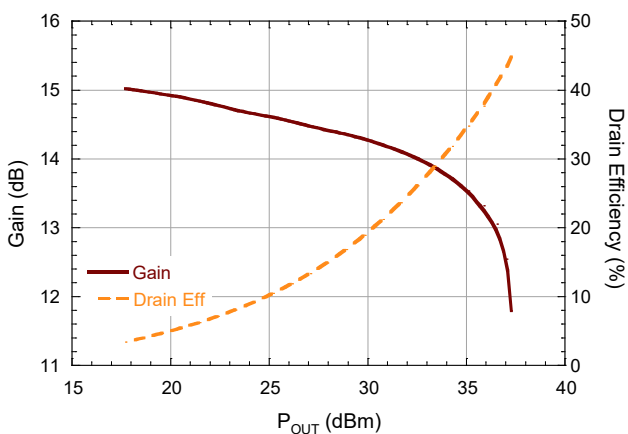
Performance vs. Frequency at  $P_{OUT} = P_{SAT}$



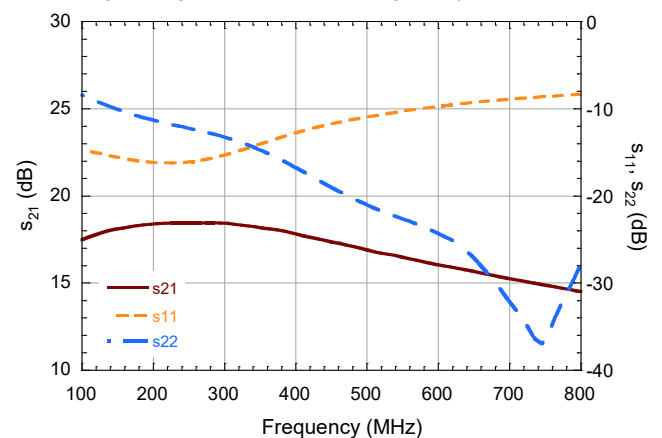
Performance vs. Frequency at  $P_{OUT} = 36$  dBm



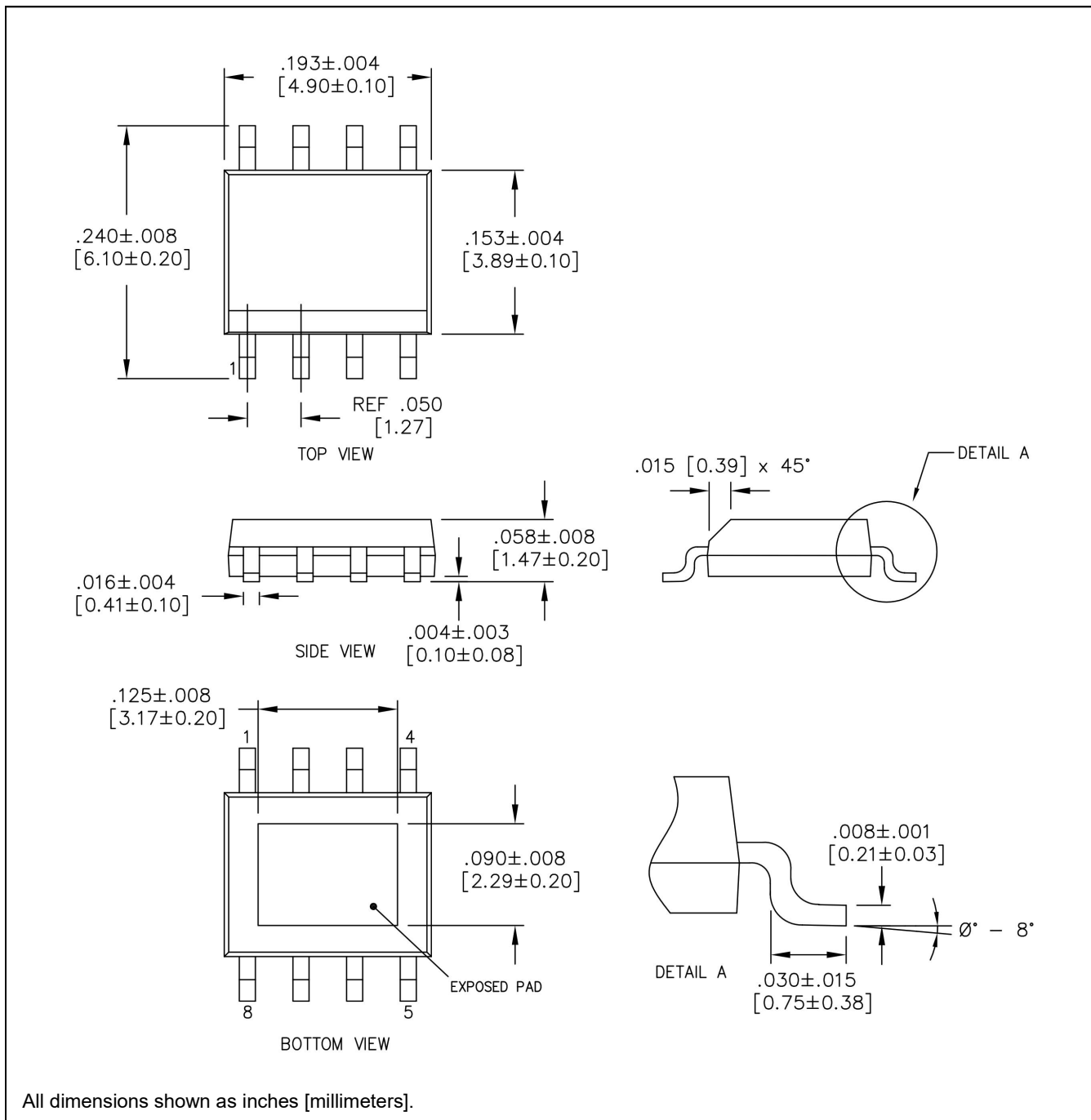
Performance vs. Output Power ( $f = 600$  MHz)



Small Signal s-parameters vs Frequency



SOIC 8-Lead Plastic Package<sup>†</sup>



<sup>†</sup> Meets JEDEC moisture sensitivity level 3 requirements.  
Plating is Matte Sn.

MACOM Technology Solutions Inc. ("MACOM"). All rights reserved.

These materials are provided in connection with MACOM's products as a service to its customers and may be used for informational purposes only. Except as provided in its Terms and Conditions of Sale or any separate agreement, MACOM assumes no liability or responsibility whatsoever, including for (i) errors or omissions in these materials; (ii) failure to update these materials; or (iii) conflicts or incompatibilities arising from future changes to specifications and product descriptions, which MACOM may make at any time, without notice. These materials grant no license, express or implied, to any intellectual property rights.

THESE MATERIALS ARE PROVIDED "AS IS" WITH NO WARRANTY OR LIABILITY, EXPRESS OR IMPLIED, RELATING TO SALE AND/OR USE OF MACOM PRODUCTS INCLUDING FITNESS FOR A PARTICULAR PURPOSE, MERCHANTABILITY, INFRINGEMENT OF INTELLECTUAL PROPERTY RIGHT, ACCURACY OR COMPLETENESS, OR SPECIAL, INDIRECT, INCIDENTAL, OR CONSEQUENTIAL DAMAGES WHICH MAY RESULT FROM USE OF THESE MATERIALS.

MACOM products are not intended for use in medical, lifesaving or life sustaining applications. MACOM customers using or selling MACOM products for use in such applications do so at their own risk and agree to fully indemnify MACOM for any damages resulting from such improper use or sale.