



902-928 & 2400-2483.5 Dual Band Cabled ANTENNA

Part Numbers: 2118898-1, 2118898-2

FEATURES & BENEFITS

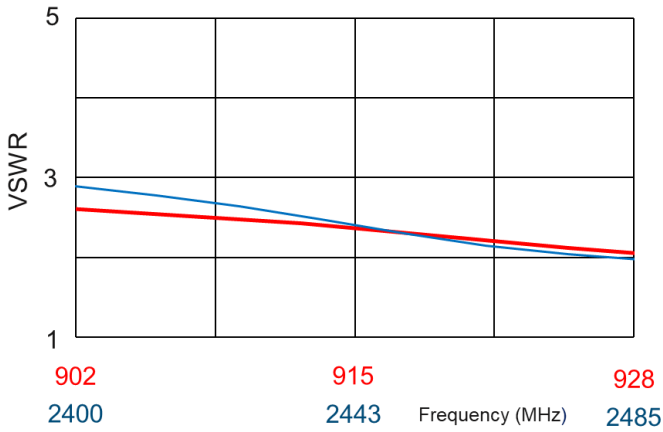
- FPC antenna assembly
- Adhesive backing on the FPC simplifies mounting within the device
- Omnidirectional coverage
- Efficient design reduces power usage
- No matching components required
- Wide selection of micro-coaxial cable lengths

SPECIFICATIONS

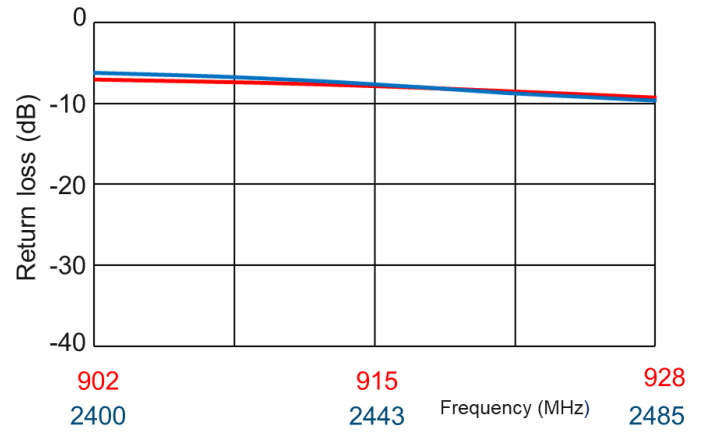
Frequency Range (MHz)	902-928	2400-2483.5
VSWR	< 2.6:1	< 2.9:1
Average Efficiency	85%	65%
Peak Gain	3.6dBi	4.0dBi
Average Gain	-0.7dBi	-1.8dBi
Power Handling	10 Watt cw	
Feed Point Impedance	50 ohms unbalanced	
Polarization	Linear	
Size	140.0 mm x 20.0 mm	
Weight	< 5.0 g	
Mounting	Adhesive Tape	
Mating Connector	MMCX connect mount (TE P/N 1-1634010-0 and 1-1634009-0)	
Cable	Coaxial Cable : 1.78mm Dia.	
Operating Temperature	-40 to +85°C	
Storage Temperature	-40 to +85°C	
Hazardous Materials	A certificate of conformance is available from the product page on TE website.	

RF DATA

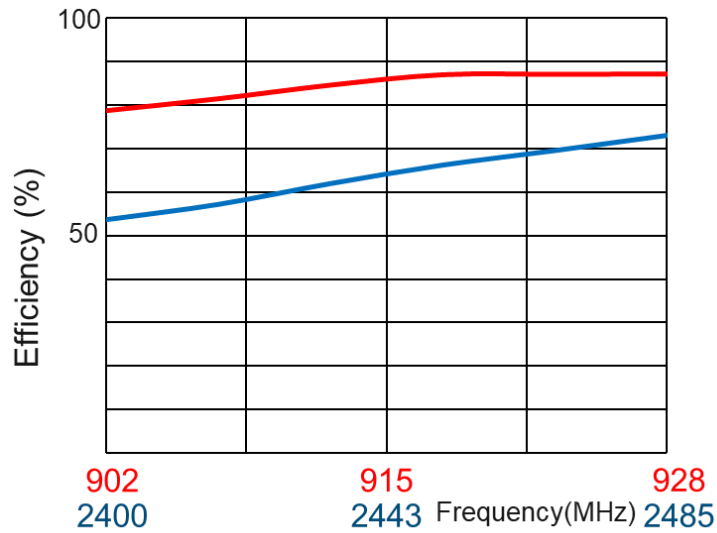
VSWR



Return Loss



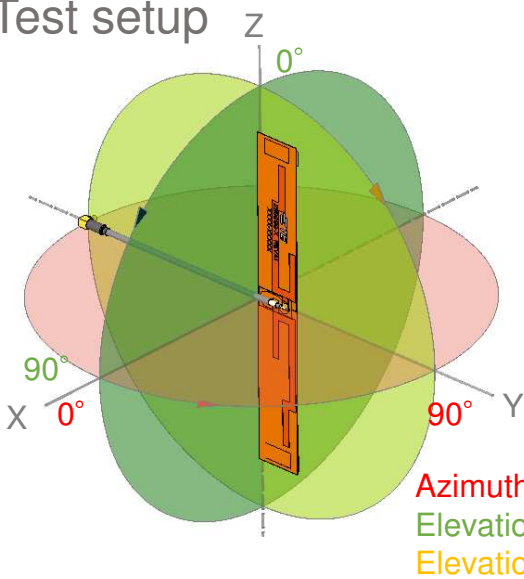
Efficiency



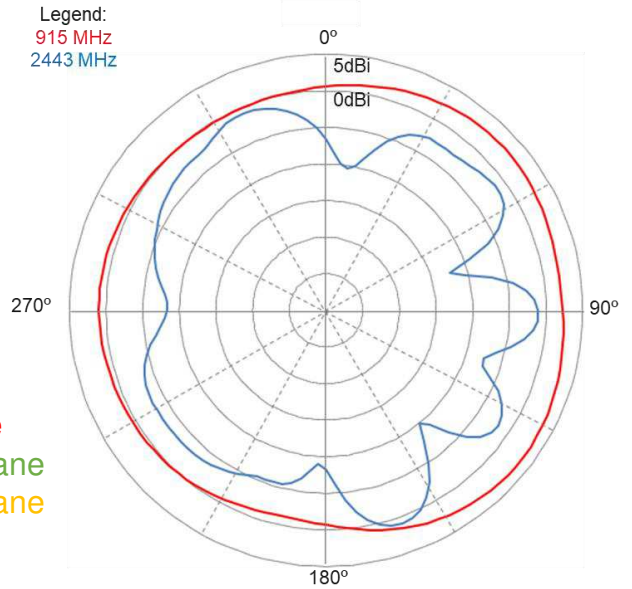
Data measured in free space and on plastic device enclosure

RADIATION PATTERN

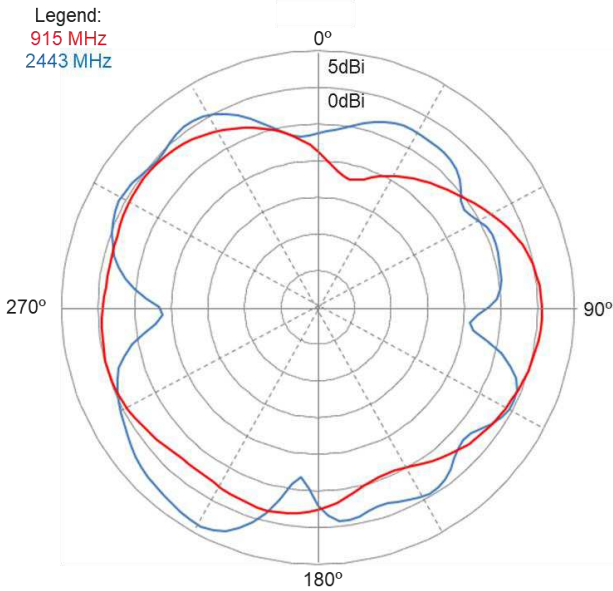
Test setup



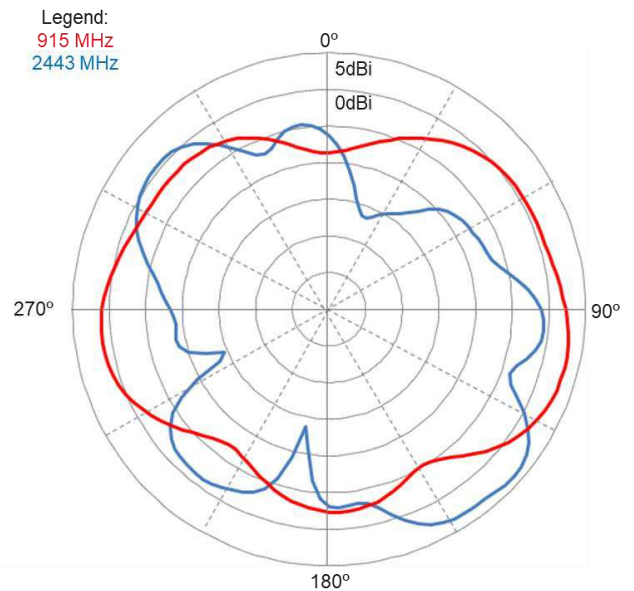
Azimuth



Elevation 1



Elevation 2

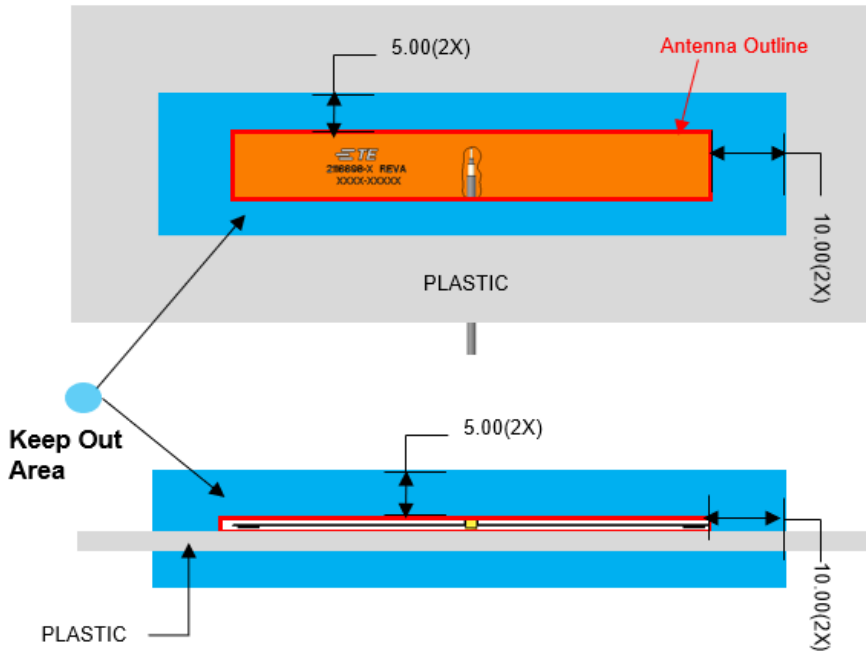


Data measured in free space and on plastic device enclosure

DUAL BAND WLAN / BLUETOOTH ANTENNA

Standard Antenna Solutions

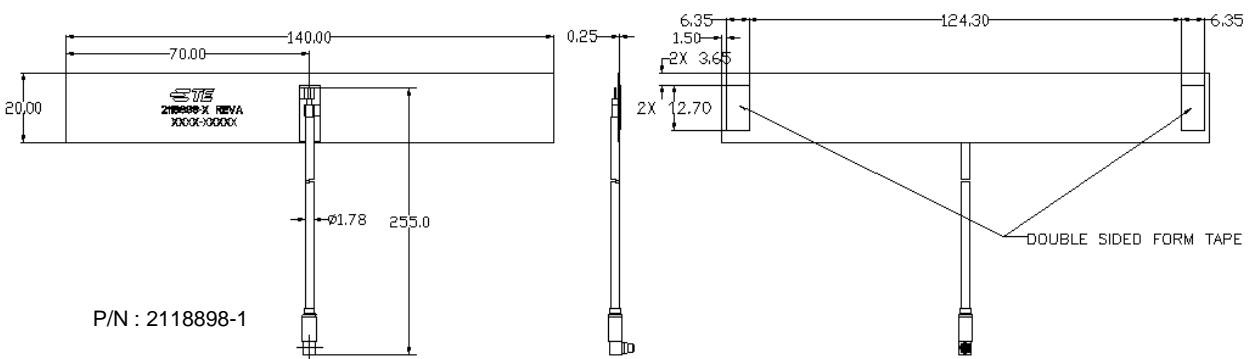
KEEP OUT AREA



- NOTES: 1. Antenna designed to be mounted on plastic cover.
2. Area in Blue above indicates Keep Out Area.
3. For more information please call TE.

Dimensions: mm
Diagram is not to scale

DIMENSIONS





Dimensions: mm
Diagram is not to scale

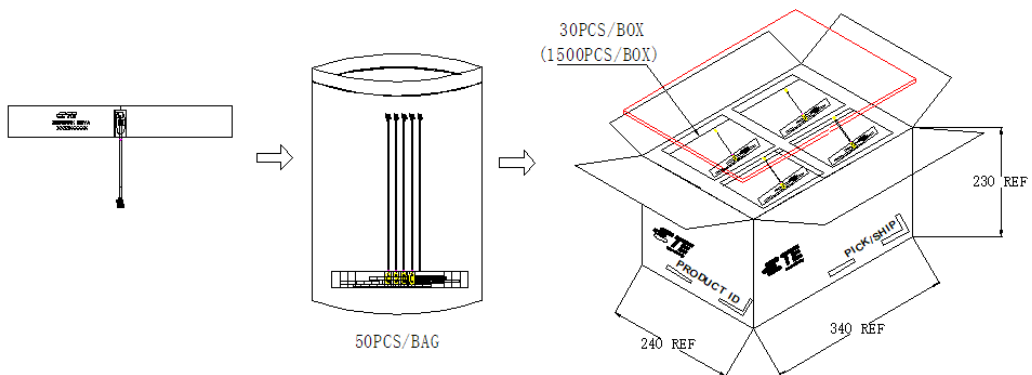
DUAL BAND WLAN / BLUETOOTH ANTENNA

Standard Antenna Solutions

MATING COMPONENTS

2118898-2	255.0	10.039	MMCX-TYPE PLUG	RECEPTACLE (TE PN: 1-1634010-0)	
2118898-1	185.0	7.28		RECEPTACLE (TE PN: 1-1634009-0)	
PART NUMBER	MM	INCH	CONNECTOR TYPE (ON CABLE)	PART NUMBER	IMAGE
	CABLE LENGTH			MATING COMPONENTS	

PACKAGING



TE TECHNICAL SUPPORT CENTER

- USA: +1 (800) 522-6752
- Canada: +1 (905) 475-6222
- Mexico: +52 (0) 55-1106-0800
- Latin/S. America: +54 (0) 11-4733-2200
- Germany: +49 (0) 6251-133-1999
- UK: +44 (0) 800-267666
- France: +33 (0) 1-3420-8686
- Netherlands: +31 (0) 73-6246-999
- China: +86 (0) 400-820-6015

For phone numbers in other countries, go to te.com/support-center

te.com

TE Connectivity, TE Connectivity (logo) are trademarks. All other logos, products and/or company names referred to herein might be trademarks of their respective owners.

The information given herein, including drawings, illustrations and schematics which are intended for illustration purposes only, is believed to be reliable. However, TE Connectivity makes no warranties as to its accuracy or completeness and disclaims any liability in connection with its use. TE Connectivity's obligations shall only be as set forth in TE Connectivity's Standard Terms and Conditions of Sale for this product and in no case will TE Connectivity be liable for any incidental, indirect or consequential damages arising out of the sale, resale, use or misuse of the product. Users of TE Connectivity products should make their own evaluation to determine the suitability of each such product for the specific application.

© 2020 TE Connectivity Ltd. family of companies All Rights Reserved.

06/2020