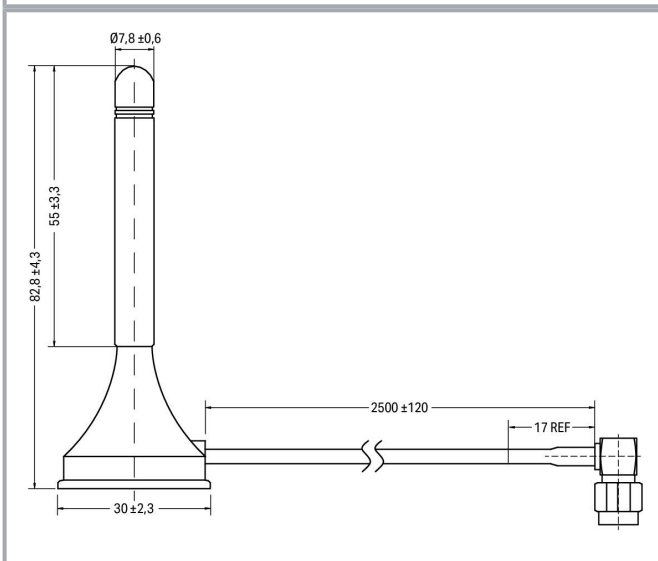
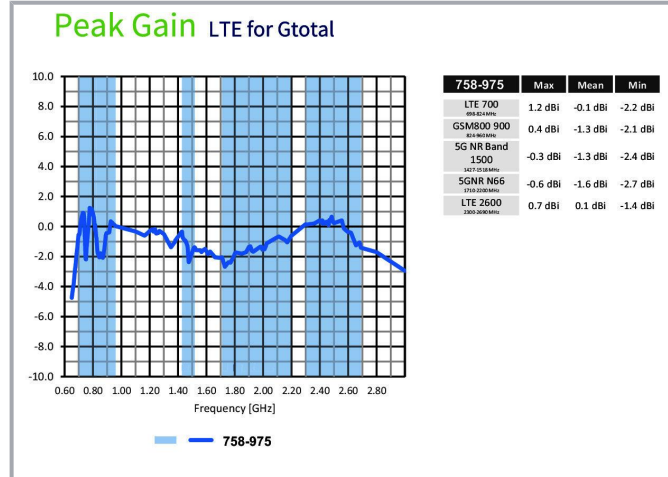
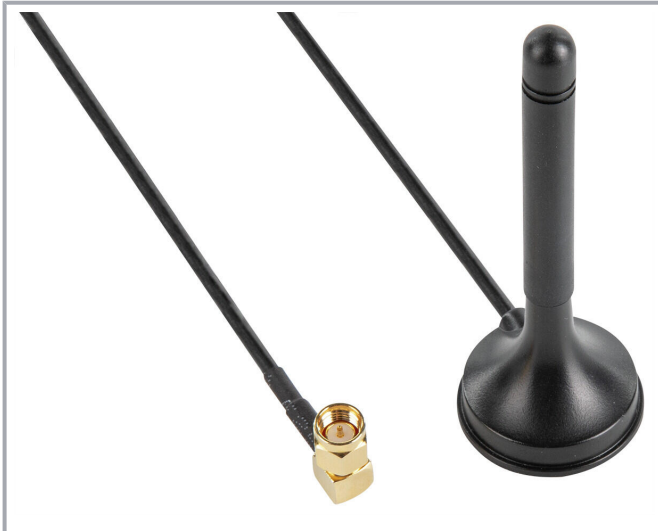


Data sheet | Item number: 758-975

Magnetic foot antenna; with 2.5m cable and SMA plug; GSM/ UMTS/ LTE/ Bluetooth®/ WLAN; 698-960, 1710-6000 MHz



www.wago.com/758-975



Data

Technical data

Radio technology

GSM
UMTS
LTE

Subject to changes. Please also observe the further product documentation!

WAGO GmbH & Co. KG
Hansastr. 27
32423 Minden
Phone: +49571 887-0 | Fax: +49571 887-169
Email: info.de@wago.com | Web: www.wago.com

Do you have any questions about our products?
We are always happy to take your call at +49 (571) 887-44222.



Bluetooth®

WLAN

| | |
|----------------|--|
| Frequency band | B1 ... B23; B25 ... B30; B32 ... B42; B48; B66; B74 ... 76; B78; Frequency range: 698 ... 960 MHz; 1400 ... 1518 MHz; 1710 ... 2700 MHz |
| Gain | 3 dBi |

Mechanical Data

| | |
|----------------------------|-------------------|
| Mounting type | Magnetic stand |
| Cable type | RG-174 |
| Connector | SMA-Winkelstecker |
| Length of connection cable | 2.5 m |

Material data

| | |
|--------|------|
| Weight | 44 g |
|--------|------|

Environmental requirements

| | |
|---------------------------------|----------------|
| Ambient temperature (operation) | -40 ... +85 °C |
|---------------------------------|----------------|

Commercial data

| | |
|-----------------------|---------------|
| ETIM 8.0 | EC001698 |
| ETIM 7.0 | EC001698 |
| ECCN | NO DATA |
| PU (SPU) | 1 pcs |
| Packaging type | bag |
| Country of origin | TW |
| GTIN | 4055143996945 |
| Customs tariff number | 85177100000 |

Environmental Product Compliance

| | |
|------------------------|-------------------------|
| RoHS Compliance Status | Compliant, No Exemption |
|------------------------|-------------------------|

Downloads

Documentation

Additional Information

Disposal and Recycling

Subject to changes. Please also observe the further product documentation!

WAGO GmbH & Co. KG

Hansastr. 27

32423 Minden

Phone: +49571 887-0 | Fax: +49571 887-169

Email: info.de@wago.com | Web: www.wago.com

Do you have any questions about our products?

We are always happy to take your call at +49 (571) 887-44222.



Electrical and electronic equipment, Batteries, Packaging

V 1.1.0
2022 Aug 18

pdf
2.2 MB

[Download](#)

Radiation Pattern

pdf
606.9 kB

[Download](#)

Environmental Product Compliance

Compliance Search

Environmental Product Compliance 758-975

[URL](#)

[Download](#)

Magnetic foot antenna; with 2.5m cable and SMA plug; GSM/ UMTS/ LTE/ Bluetooth®/
WLAN; 698-960, 1710-6000 MHz

Installation Notes

Subject to changes. Please also observe the further product documentation!