

# ANT-W63RPC1-MHF4-100 ✓ ACTIVE

TE Internal #: L9000231-01

PCB Antenna, Triple Band, Wi-Fi, Internal/Embedded Mount, Adhesive, N-type, Omnidirectional, Single Port, Gain > 6 dBi

[View on TE.com >](#)



## Antennas



Wireless Application: **Wi-Fi**

Mounting Location: **Internal/Embedded**

Mounting Type: **Adhesive**

Antenna Termination: **N-type**

Antenna Type: **PCB**

## Features

### Product Type Features

Antenna Product Type	Antenna
Antenna Termination	N-type

### Configuration Features

Antenna Style	Patch
Mounting Location	Internal/Embedded
Antenna Type	PCB
Band Type	Triple Band
Port Configuration	Single Port

### Electrical Characteristics

VSWR (Max)	<1.8:1
Impedance	50 $\Omega$

### Signal Characteristics

Gain (Max)	3.7 dB
Frequency Band	2400 – 2485 MHz
Nominal Frequency Range	2400 – 7125
Peak Gain	> 6 dBi

### Body Features

Product Weight	1.5 g [.05291 oz]
----------------	-------------------



### Mechanical Attachment

Polarization	Linear
Mounting Type	Adhesive

### Dimensions

Cable Length	.1 m[.33 ft]
Product Width	11 mm[.43 in]
Product Length	43 mm[1.69 in]
Product Height	1.3 mm[.05 in]

### Operation/Application

Directionality	Omnidirectional
----------------	-----------------

### Industry Standards

Wireless Application	Wi-Fi
Primary Application	Wi-Fi

### Product Compliance

[For compliance documentation, visit the product page on TE.com>](#)

EU RoHS Directive 2011/65/EU	Compliant with Exemptions
EU ELV Directive 2000/53/EC	Not Yet Reviewed
China RoHS 2 Directive MIIT Order No 32, 2016	Restricted Materials Above Threshold
EU REACH Regulation (EC) No. 1907/2006	Current ECHA Candidate List: JUNE 2023 (235) Not Yet Reviewed
Halogen Content	Not Yet Reviewed for halogen content
Solder Process Capability	Not reviewed for solder process capability

#### Product Compliance Disclaimer

This information is provided based on reasonable inquiry of our suppliers and represents our current actual knowledge based on the information they provided. This information is subject to change. The part numbers that TE has identified as EU RoHS compliant have a maximum concentration of 0.1% by weight in homogenous materials for lead, hexavalent chromium, mercury, PBB, PBDE, DBP, BBP, DEHP, DIBP, and 0.01% for cadmium, or qualify for an exemption to these limits as defined in the Annexes of Directive 2011/65/EU (RoHS2). Finished electrical and electronic equipment products will be CE marked as required by Directive 2011/65/EU. Components may not be CE marked. Additionally, the part numbers that TE has identified as EU ELV compliant have a maximum concentration of 0.1% by weight in homogenous materials for lead, hexavalent chromium, and mercury, and 0.01% for cadmium, or qualify for an exemption to these limits as defined in the Annexes of Directive 2000/53/EC (ELV). Regarding the REACH Regulations, TE's information on SVHC in articles for this part number is still based on the European Chemical Agency (ECHA) 'Guidance on requirements for substances in articles' (Version: 2, April 2011), applying the 0.1% weight on weight concentration threshold at the finished product level. TE is aware of the European Court of Justice ruling of September 10th, 2015 also known as O5A (Once An Article Always An Article) stating that, in case of 'complex object', the threshold for a SVHC must be applied to both the

product as a whole and simultaneously to each of the articles forming part of its composition. TE has evaluated this ruling based on the new ECHA "Guidance on requirements for substances in articles" (June 2017, version 4.0) and will be updating its statements accordingly.

## Compatible Parts

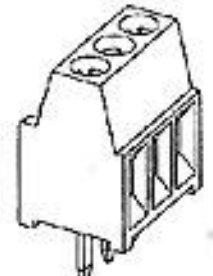


TE Part # CONMHF4-SMD-G-T  
MHF4 Jack 50 Ohm PCB Surface Mount

## Customers Also Bought



TE Part #6-1622826-4  
CRG0402 ZEROHM



TE Part #282834-8  
TERMI-BLOK PCB MOUNT, 90 8P.



TE Part #2108857-6  
PCB Ant, MHF4, 100mm Wi-Fi 6E TripleBand



TE Part #4-2176337-8  
CRGCQ 0402 82K 1%



TE Part #2-2176340-0  
CRGCQ 0603 1K5 5%



TE Part #2-1879502-6  
CRGH2512 5% 150K 2W



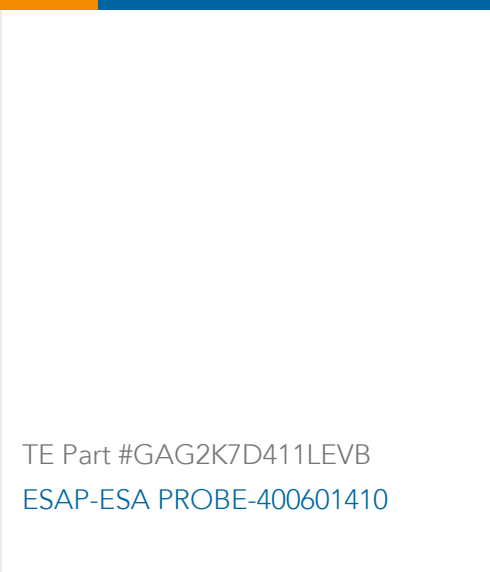
TE Part #2-2013289-2  
EMBOSS TAPE DDR3 204P 5.2H STD Au 0.25



TE Part #ANT-LPC-FPC-100  
Antenna Vert 5G LTE FPC 100



TE Part #L9000234-01  
Antenna WIFI6 2.4/5/6 GHz RPC UFL 100



TE Part #GAG2K7D411LEVB  
ESAP-ESA PROBE-400601410

## Documents

### Product Drawings

Antenna WIFI6 2.4/5/6 GHz RPC MHF4 100

English



## Datasheets & Catalog Pages

### Sub-6 Cellular LTE-5G NR Frequency Band Guide

English

### Rigid Embedded Dipole WiFi 6 Antenna

English

### Virtual Antenna

English

### Microslatch Ground Plane Optimization

English