

# ANT-2.4-LCW-SMA ✓ ACTIVE

TE Internal #: L9000082-01

Terminal/Duck Antenna, Single Band, Zigbee / Bluetooth / ISM,  
External Mount, Connector, SMA, Omnidirectional, Single Port,  
Gain 0 < 3 dBi

[View on TE.com >](#)



## Antennas



Wireless Application: **Bluetooth, ISM, Zigbee**

Mounting Location: **External**

Mounting Type: **Connector**

Antenna Termination: **SMA**

Antenna Type: **Terminal/Duck**

## Features

### Product Type Features

Antenna Product Type	Antenna
Antenna Termination	SMA

### Configuration Features

Antenna Style	Whip
Mounting Location	External
Antenna Type	Terminal/Duck
Band Type	Single Band
Port Configuration	Single Port

### Electrical Characteristics

VSWR (Max)	<2.1:1
Impedance	50 $\Omega$

### Signal Characteristics

Gain (Max)	2.8 dB
Frequency Band	2400 – 2485 MHz
Nominal Frequency Range	2400 – 2500
Peak Gain	0 < 3 dBi

### Body Features

Product Weight	7.4 g [.26102 oz]
----------------	-------------------



**Mechanical Attachment**

Polarization	Linear
Mounting Type	Connector

**Dimensions**

Product Width	10 mm[.39 in]
Product Length	83.1 mm[3.27 in]
Product Height	0 mm[0 in]

**Operation/Application**

Antenna Environment	Outdoor
Directionality	Omnidirectional

**Industry Standards**

Wireless Application	Bluetooth, ISM, Zigbee
Primary Application	Bluetooth, ISM, Zigbee

**Product Compliance**

[For compliance documentation, visit the product page on TE.com>](#)

EU RoHS Directive 2011/65/EU	Compliant with Exemptions
EU ELV Directive 2000/53/EC	Not Yet Reviewed
China RoHS 2 Directive MIIT Order No 32, 2016	Restricted Materials Above Threshold
EU REACH Regulation (EC) No. 1907/2006	Current ECHA Candidate List: JUNE 2023 (235) Candidate List Declared Against: JUNE 2023 (235) SVHC > Threshold: Pb (3.42% in Component Part) <b>Article Safe Usage Statements:</b> Do not eat, drink or smoke when using this product. Wash thoroughly after handling. Recycle if possible and dispose of the article by following all applicable governmental regulations relevant to your geographic location.
Halogen Content	Low Halogen - Br, Cl, F, I < 900 ppm per homogenous material. Also BFR/CFR/PVC Free
Solder Process Capability	Not reviewed for solder process capability

Product Compliance Disclaimer

This information is provided based on reasonable inquiry of our suppliers and represents our current actual knowledge based on the information they provided. This information is subject to change. The part numbers that TE has identified as EU RoHS compliant have a maximum concentration of 0.1% by weight in homogenous materials for lead, hexavalent chromium, mercury, PBB, PBDE, DBP, BBP, DEHP, DIBP, and 0.01% for cadmium, or qualify for an exemption to these limits as defined in the Annexes of Directive 2011/65/EU (RoHS2). Finished electrical and electronic equipment products will be CE marked as required by Directive 2011/65/EU. Components may not be CE marked. Additionally, the part

numbers that TE has identified as EU ELV compliant have a maximum concentration of 0.1% by weight in homogenous materials for lead, hexavalent chromium, and mercury, and 0.01% for cadmium, or qualify for an exemption to these limits as defined in the Annexes of Directive 2000/53/EC (ELV). Regarding the REACH Regulations, TE's information on SVHC in articles for this part number is still based on the European Chemical Agency (ECHA) 'Guidance on requirements for substances in articles' (Version: 2, April 2011), applying the 0.1% weight on weight concentration threshold at the finished product level. TE is aware of the European Court of Justice ruling of September 10th, 2015 also known as O5A (Once An Article Always An Article) stating that, in case of 'complex object', the threshold for a SVHC must be applied to both the product as a whole and simultaneously to each of the articles forming part of its composition. TE has evaluated this ruling based on the new ECHA "Guidance on requirements for substances in articles" (June 2017, version 4.0) and will be updating its statements accordingly.

## Compatible Parts



TE Part # CONSMA001  
SMA Jack 50 Ohm PCB Through Hole



TE Part # CONSMA002-L-G  
SMA Jack 50 Ohm PCB Through Hole



TE Part # CONSMA002-SMD-G  
SMA Jack 50 Ohm PCB Surface Mount

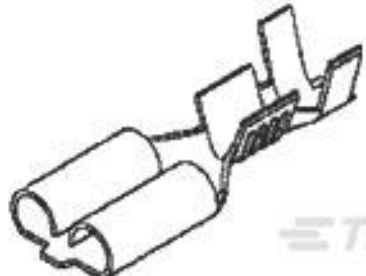


TE Part # CONSMA008-G  
SMA Jack 50 Ohm Through Hole PCB

## Customers Also Bought



TE Part #2-1761607-1  
IDC LOW PRO HDR 6P RA LG LAT B



TE Part #170384-2  
250 FASTON,REC.,22-20 AWG,TPBR



TE Part #1658527-2  
622-0630LF FEM SOCKET,LEAD FREE



TE Part #1676365-2  
RN 0805 51K1 0.1% 10PPM 1KRL




TE Part #2081889-1  
EP-SMA,ADAPTER,STRAIGHT,27GHZ, F TO F



TE Part #5-2176339-1  
CRGCQ 0603 150K 1%



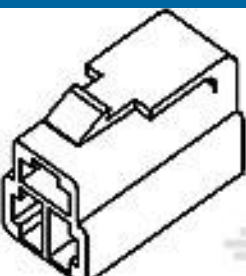
TE Part #L9000081-01  
Antenna Dipole 2.4GHz Tilt Swivel RPS



TE Part #ANT-868-OC-LG-RPS  
Antenna Straight Whip 868MHz Swivel RPS



TE Part #CSI-RGFB-100-UFFR  
RP-SMA to U.FL/MHF1 100mm 1.13 OD



TE Part #172132-1  
FF 250 PLUG HSG 3P NYLON NAT



## Documents

### Product Drawings

[Antenna Dipole 2.4GHz Tilt Swivel SMA](#)

English

---

### Datasheets & Catalog Pages

[ANT-2.4-LCW-ccc](#)

English

[Sub-6 Cellular LTE-5G NR Frequency Band Guide](#)

English

[Virtual Antenna](#)

English

[Microslatch Ground Plane Optimization](#)

English