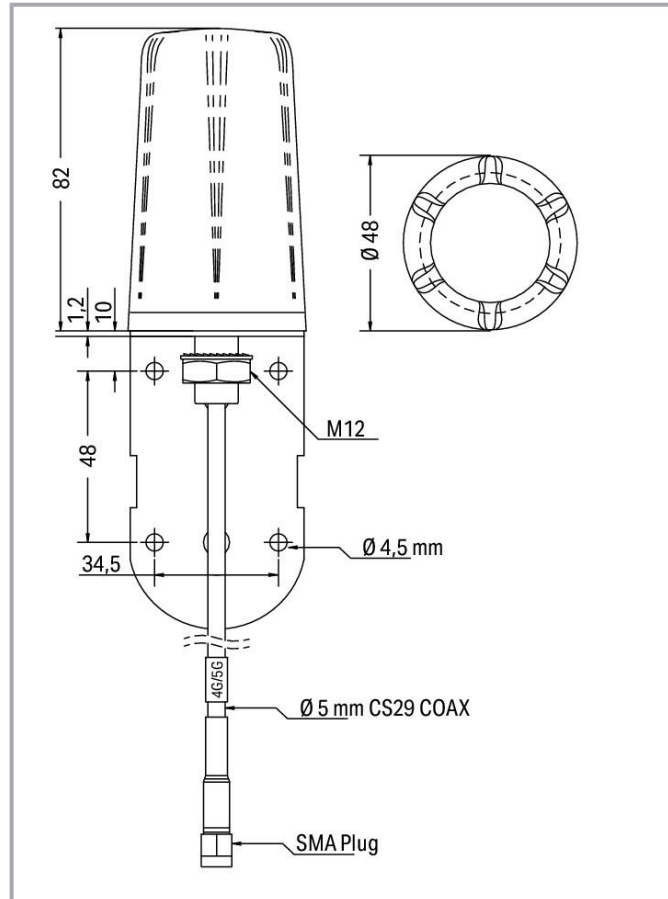


## Data sheet | Item number: 758-974/000-001

Radio antenna; with 2m cable and SMA plug; GSM/ UMTS/ LTE/ Bluetooth®/ WLAN; 698-960, 1710-6000 MHz; 2G/3G/4G/5G



[www.wago.com/758-974/000-001](http://www.wago.com/758-974/000-001)



### Item description

- The distance of interfering sources to the antenna and antenna line must be at least 30 cm. The free space between the antenna and the next wall must be at least 35 cm.
- The antenna cable must not, under any circumstances, be bent sharply, or the antenna line may be irreversibly damaged.

### Data

#### Technical data

Radio technology

GSM  
UMTS  
LTE

Subject to changes. Please also observe the further product documentation!

WAGO GmbH & Co. KG  
Hansastr. 27  
32423 Minden  
Phone: +49571 887-0 | Fax: +49571 887-169  
Email: [info.de@wago.com](mailto:info.de@wago.com) | Web: [www.wago.com](http://www.wago.com)

Do you have any questions about our products?  
We are always happy to take your call at +49 (571) 887-44222.



Bluetooth®

WLAN

5G

Frequency band	617 ... 960 MHz; 1710 ... 6000 MHz
Gain	617 ... 960 MHz: 1dBi; 1710 ... 2700 MHz: 4dBi; 3400 ... 3800 MHz: 8dBi; 4900 ... 6000 MHz: 9dBi

## Mechanical Data

Mounting type	Wall-mount
Cable type	CS29
Connector	SMA plug
Length of connection cable	2 m

## Material data

Weight	252 g
--------	-------

## Environmental requirements

Ambient temperature (operation)	-40 ... +85 °C
Protection type	IP66

## Commercial data

ETIM 8.0	EC001698
ETIM 7.0	EC001698
ECCN	NO DATA
PU (SPU)	1 pcs
Packaging type	bag
Country of origin	CN
GTIN	4066966093964
Customs tariff number	85291095900

## Environmental Product Compliance

RoHS Compliance Status	Compliant, No Exemption
------------------------	-------------------------

## Downloads

### Documentation

#### Additional Information

Subject to changes. Please also observe the further product documentation!

WAGO GmbH & Co. KG  
 Hansastr. 27  
 32423 Minden  
 Phone: +49571 887-0 | Fax: +49571 887-169  
 Email: [info.de@wago.com](mailto:info.de@wago.com) | Web: [www.wago.com](http://www.wago.com)

Do you have any questions about our products?  
 We are always happy to take your call at +49 (571) 887-44222.



Disposal and Recycling  
Electrical and electronic equipment, Batteries, Packaging

V 1.1.0  
2022 Aug 18

pdf  
2.2 MB

[Download](#)

---

## Environmental Product Compliance

### Compliance Search

Environmental Product Compliance 758-974/000-001

[URL](#)

[Download](#)

Radio antenna; with 2m cable and SMA plug; GSM/ UMTS/ LTE/ Bluetooth®/ WLAN;  
698-960, 1710-6000 MHz; 2G/3G/4G/5G

---

## Installation Notes

Subject to changes. Please also observe the further product documentation!

---

WAGO GmbH & Co. KG  
Hansastr. 27  
32423 Minden  
Phone: +49571 887-0 | Fax: +49571 887-169  
Email: [info.de@wago.com](mailto:info.de@wago.com) | Web: [www.wago.com](http://www.wago.com)

Do you have any questions about our products?  
We are always happy to take your call at +49 (571) 887-44222.