

Series: Low Profile Transit

Description: 617-3800MHz, Direct mount, Monopole

PART NUMBER: LPT600/3800DMN (Black)
LPT600/3800DMNW (White)



Features:

- 4G / 5G LTE
- 617-960/1710-2170/
2300-2700/3400-3800MHz
- Includes New Band 71 (617- 698 MHz) and CBRS Bands 42 and 48 (3.4-3.7 GHz)
- Omni radiation pattern
- Average peak gain
3.9/5.3/5.4/4.7dBi
- Power rating 60W
- Size Dia. 40.9mm (1.61")
- Height 79.2mm (3.12")
- N-Female

Applications:

- 4G / 5G (LTE)
- Utility boxes
- Smart metering
- IoT Devices

Issue: 1925P

In the effort to improve our products, we reserve the right to make changes judged to be necessary.

CONFIDENTIAL AND PROPRIETARY INFORMATION

This document contains confidential and proprietary information of Pulse Electronics, Inc. (Pulse) and is protected by copyright, trade secret and other state and federal laws. Its receipt or possession does not convey any rights to reproduce, disclose its contents, or to manufacture, use or sell anything it may describe. Reproduction, disclosure or use without specific written authorization of Pulse is strictly forbidden.

For more information:

Pulse Worldwide Headquarters
15255 Innovation Drive #100
San Diego, CA 92128
USA
Tel:1-858-674-8100

Pulse/Larsen Antennas
18110 SE 34th St Bldg 2 Suite 250
Vancouver, WA 98683
USA
Tel: 1-360-944-7551

Europe Headquarters
Pulse GmbH & Do, KG
Zeppelinstrasse 15
Herrenberg, Germany
Tel: 49 7032 7806 0

Pulse (Suzhou) Wireless Products Co, Inc.
99 Huo Ju Road(#29 Bldg,4th Phase
Suzhou New District
Jiangsu Province, Suzhou 215009 PR China
Tel: 86 512 6807 9998

Preliminary



Series: Low Profile Transit

Description: 617-3800MHz, Direct mount, Monopole

**PART NUMBER: LPT600/3800DMN (Black)
LPT600/3800DMNW (White)**

ELECTRICAL SPECIFICATIONS

Antenna type	Monopole, Measured on Ø1016mm (40") ground plane
Frequency	617-960/1710-2170/2300-2700/3400-3800 MHz
Nominal Impedance	50 Ω
VSWR (617-960/1710-3800)	3:1/2.5:1
Average peak gain (617-960/1710-2170/2300-2700/3400-3800)	3.9/5.3/5.4/4.7 dBi
Average efficiency (617-960/1710-2170/2300-2700/3400-3800)	83/82/88/72 %
Radiation Pattern	Omni
HPBW Vertical Plane (617-960/1710-2170/2300-2700/3400-3800)	44/27/25/38 °
Polarization	Vertical
Power withstanding	60 W

MECHANICAL SPECIFICATIONS

Diameter / height	40.9 / 79.2mm (1.61" / 3.12")
Weight	130 g (.29lbs)
Antenna Color / Material	Black or White / PC/ABS C2950
Connector	N-Female
Mounting	15.9mm (.625") hole required

ENVIRONMENTAL SPECIFICATIONS

Operating Temperature	-40° to +85° C
Ingress Protection	IP67
RoHS Compliant	Yes

OTHER SPECIFICATIONS

Issue: 1925P

In the effort to improve our products, we reserve the right to make changes judged to be necessary.

CONFIDENTIAL AND PROPRIETARY INFORMATION

This document contains confidential and proprietary information of Pulse Electronics, Inc. (Pulse) and is protected by copyright, trade secret and other state and federal laws. Its receipt or possession does not convey any rights to reproduce, disclose its contents, or to manufacture, use or sell anything it may describe. Reproduction, disclosure or use without specific written authorization of Pulse is strictly forbidden.

Preliminary

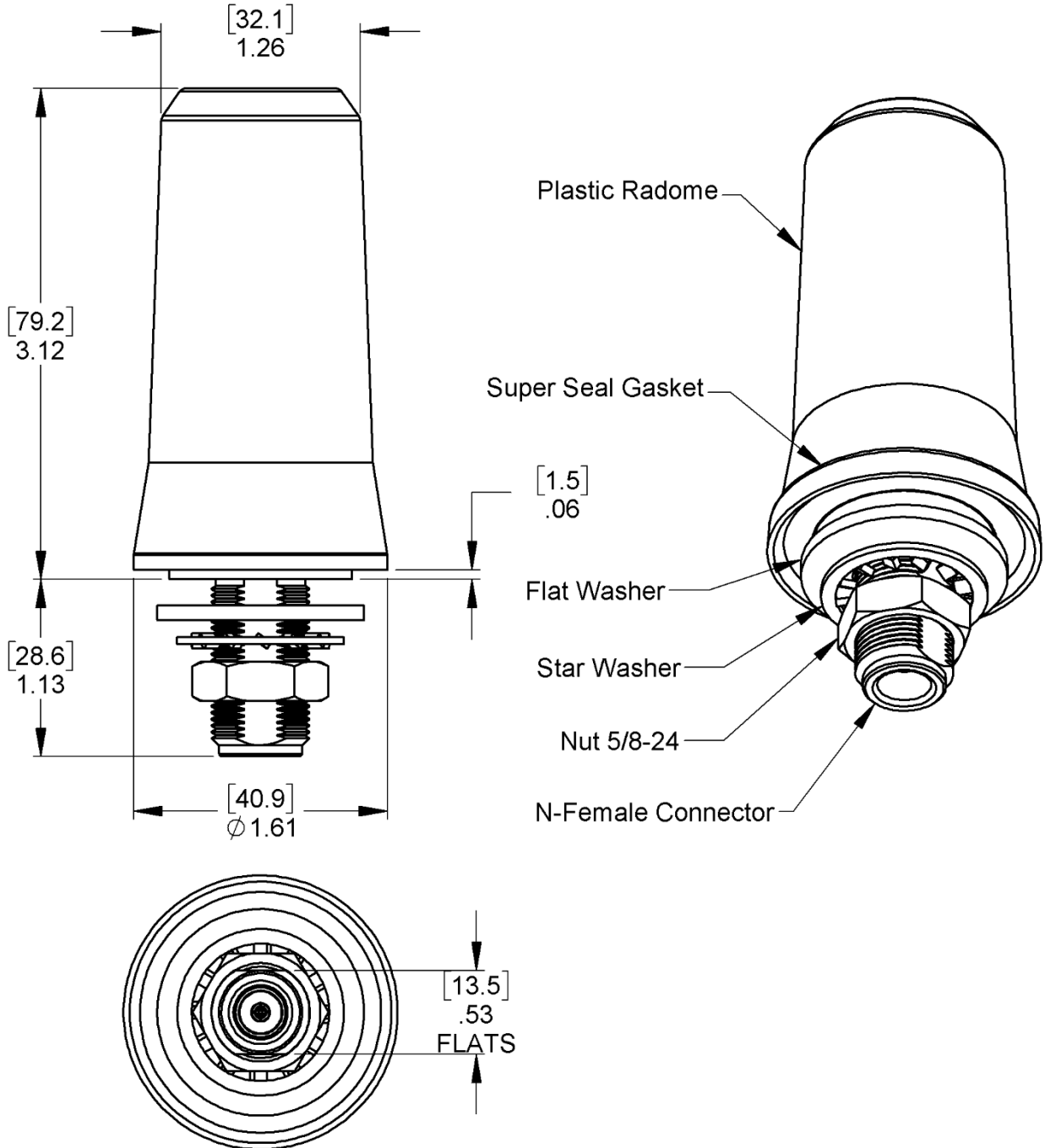


Description: 617-3800MHz, Direct mount, Monopole

Series: Low Profile Transit

PART NUMBER: LPT600/3800DMN (Black)
LPT600/3800DMNW (White)

MECHANICAL DRAWING



All dimensions are in mm / inches

Issue: 1925P

In the effort to improve our products, we reserve the right to make changes judged to be necessary.

CONFIDENTIAL AND PROPRIETARY INFORMATION

This document contains confidential and proprietary information of Pulse Electronics, Inc. (Pulse) and is protected by copyright, trade secret and other state and federal laws. Its receipt or possession does not convey any rights to reproduce, disclose its contents, or to manufacture, use or sell anything it may describe. Reproduction, disclosure or use without specific written authorization of Pulse is strictly forbidden.

Preliminary

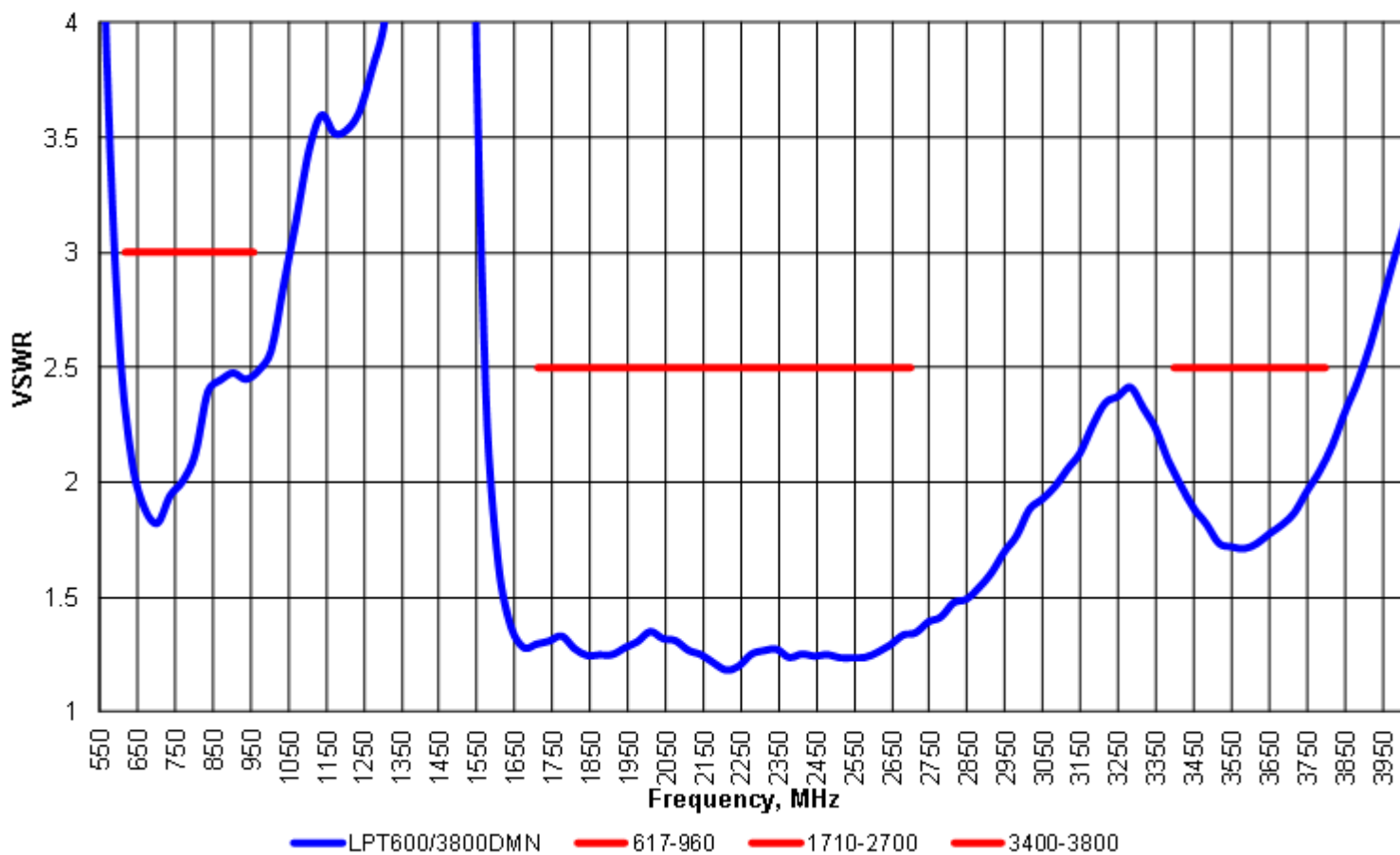
Description: 617-3800MHz, Direct mount, Monopole

Series: Low Profile Transit

**PART NUMBER: LPT600/3800DMN (Black)
LPT600/3800DMNW (White)**

CHARTS

VSWR vs Frequency
LPT600/3800DMN Measured on Ø40" GP
Measured at Pulse, USA - June 03, 2019



Preliminary

Issue: 1925P

In the effort to improve our products, we reserve the right to make changes judged to be necessary.

CONFIDENTIAL AND PROPRIETARY INFORMATION

This document contains confidential and proprietary information of Pulse Electronics, Inc. (Pulse) and is protected by copyright, trade secret and other state and federal laws. Its receipt or possession does not convey any rights to reproduce, disclose its contents, or to manufacture, use or sell anything it may describe. Reproduction, disclosure or use without specific written authorization of Pulse is strictly forbidden.



Description: 617-3800MHz, Direct mount, Monopole

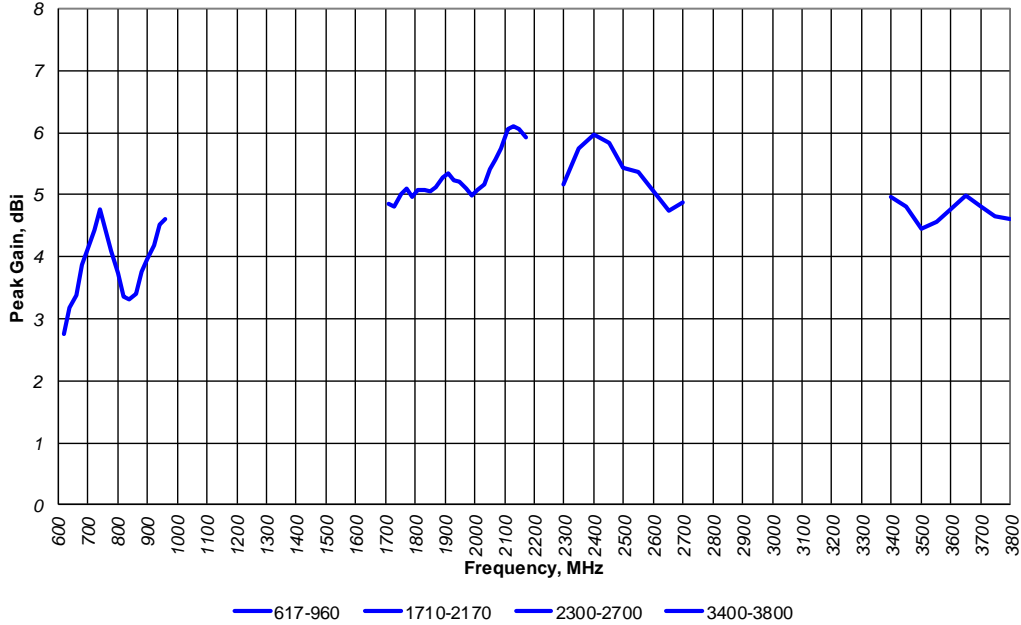
Series: Low Profile Transit

PART NUMBER: LPT600/3800DMN (Black)
LPT600/3800DMNW (White)

CHARTS

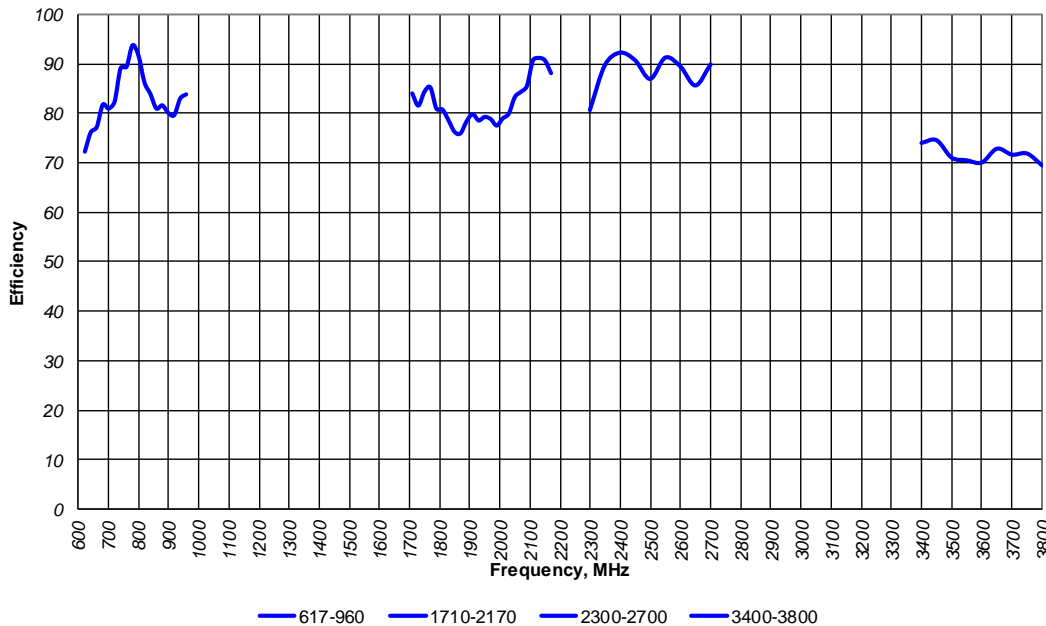
Peak Gain vs Frequency
LPT600/3800DMN Measured on Ø40" GP
Measured at Pulse, USA - Dec 06, 2018

Measured on Ø40" Ground Plane
No cable



Efficiency vs Frequency
LPT600/3800DMN Measured on Ø40" GP
Measured at Pulse, USA - Dec 06, 2018

Measured on Ø40" Ground Plane
No cable



Issue: 1925P

In the effort to improve our products, we reserve the right to make changes judged to be necessary.

CONFIDENTIAL AND PROPRIETARY INFORMATION

This document contains confidential and proprietary information of Pulse Electronics, Inc. (Pulse) and is protected by copyright, trade secret and other state and federal laws. Its receipt or possession does not convey any rights to reproduce, disclose its contents, or to manufacture, use or sell anything it may describe. Reproduction, disclosure or use without specific written authorization of Pulse is strictly forbidden.

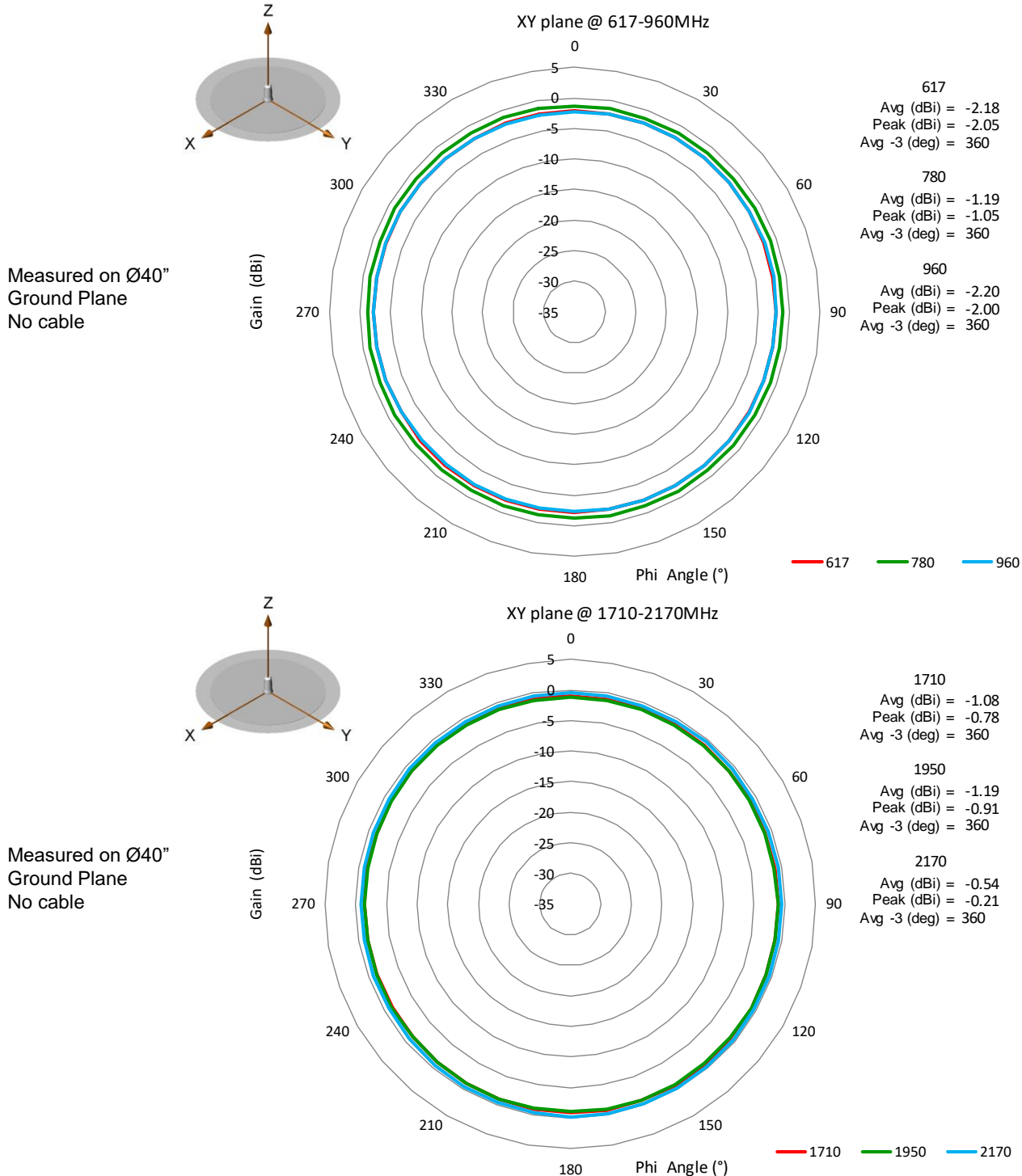


Description: 617-3800MHz, Direct mount, Monopole

Series: Low Profile Transit

PART NUMBER: LPT600/3800DMN (Black)
LPT600/3800DMNW (White)

CHARTS



Issue: 1925P

In the effort to improve our products, we reserve the right to make changes judged to be necessary.

CONFIDENTIAL AND PROPRIETARY INFORMATION

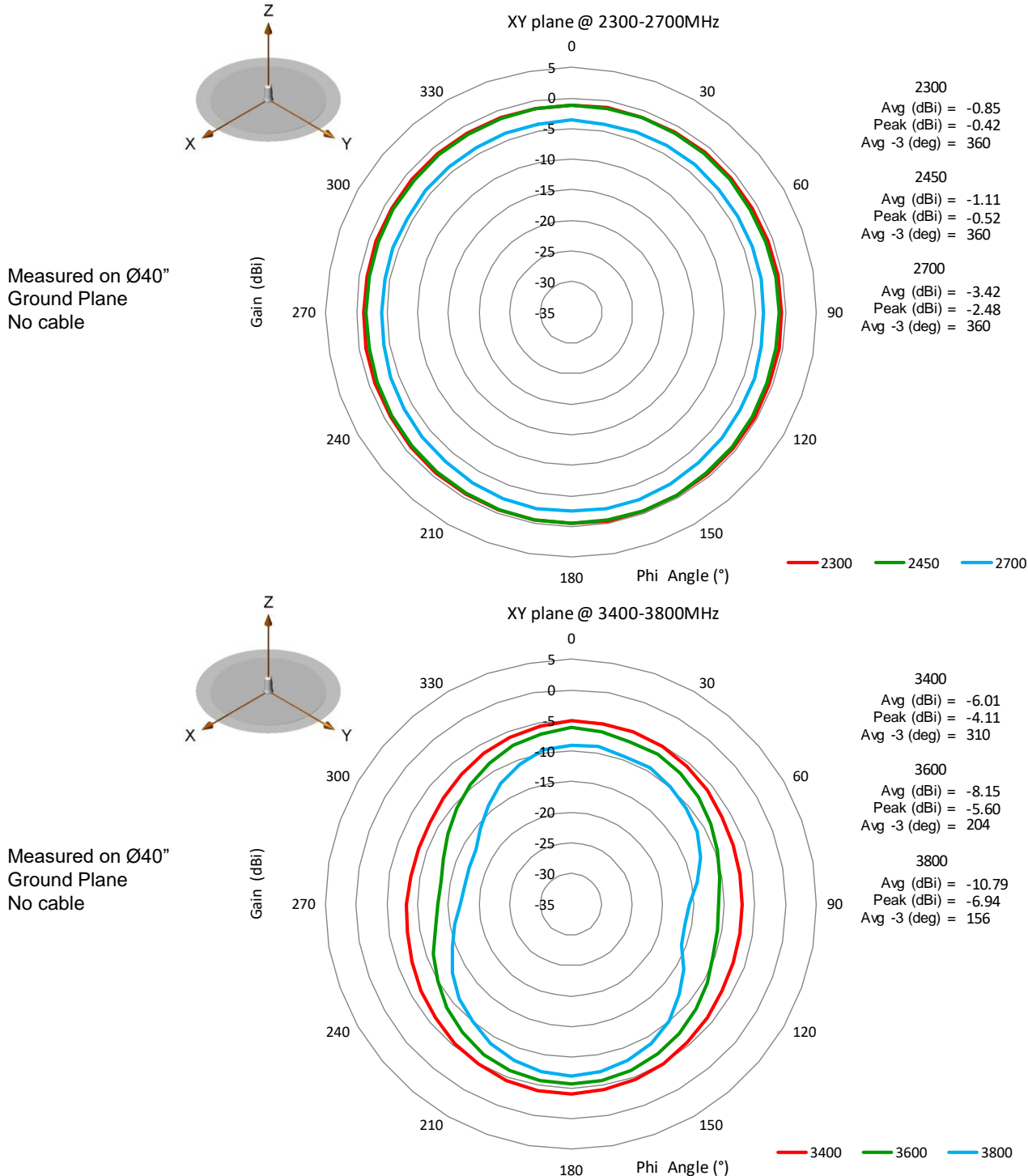
This document contains confidential and proprietary information of Pulse Electronics, Inc. (Pulse) and is protected by copyright, trade secret and other state and federal laws. Its receipt or possession does not convey any rights to reproduce, disclose its contents, or to manufacture, use or sell anything it may describe. Reproduction, disclosure or use without specific written authorization of Pulse is strictly forbidden.

Description: 617-3800MHz, Direct mount, Monopole

Series: Low Profile Transit

**PART NUMBER: LPT600/3800DMN (Black)
LPT600/3800DMNW (White)**

CHARTS



Issue: 1925P

In the effort to improve our products, we reserve the right to make changes judged to be necessary.

CONFIDENTIAL AND PROPRIETARY INFORMATION

This document contains confidential and proprietary information of Pulse Electronics, Inc. (Pulse) and is protected by copyright, trade secret and other state and federal laws. Its receipt or possession does not convey any rights to reproduce, disclose its contents, or to manufacture, use or sell anything it may describe. Reproduction, disclosure or use without specific written authorization of Pulse is strictly forbidden.

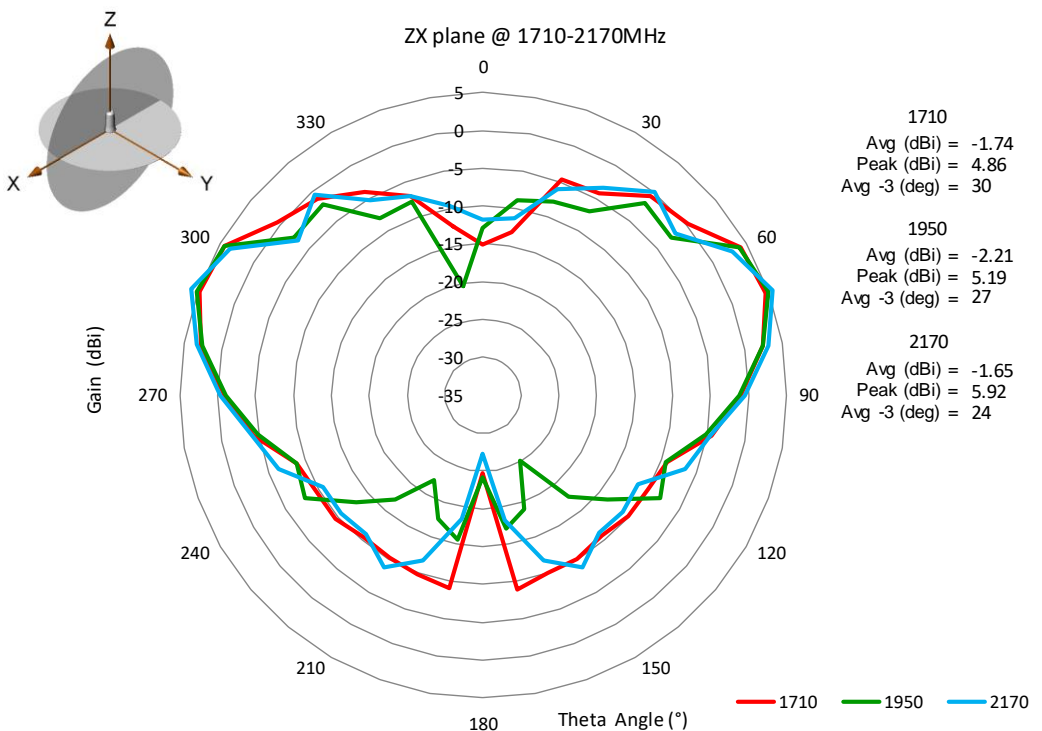
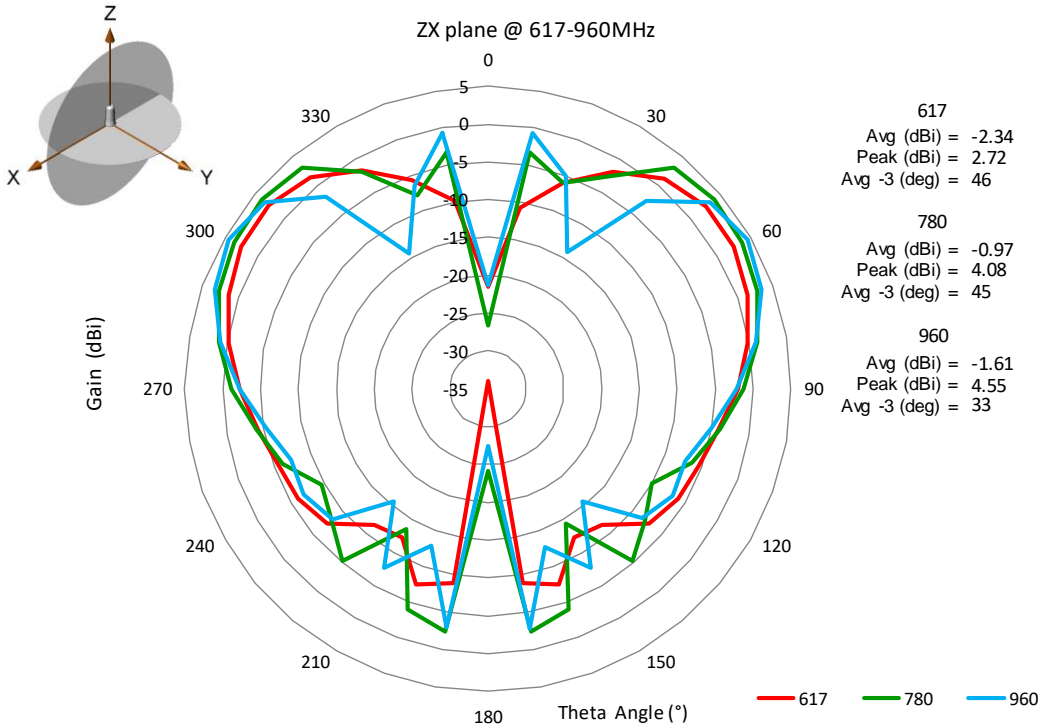


Description: 617-3800MHz, Direct mount, Monopole

Series: Low Profile Transit

**PART NUMBER: LPT600/3800DMN (Black)
LPT600/3800DMNW (White)**

CHARTS



Issue: 1925P

In the effort to improve our products, we reserve the right to make changes judged to be necessary.

CONFIDENTIAL AND PROPRIETARY INFORMATION

This document contains confidential and proprietary information of Pulse Electronics, Inc. (Pulse) and is protected by copyright, trade secret and other state and federal laws. Its receipt or possession does not convey any rights to reproduce, disclose its contents, or to manufacture, use or sell anything it may describe. Reproduction, disclosure or use without specific written authorization of Pulse is strictly forbidden.

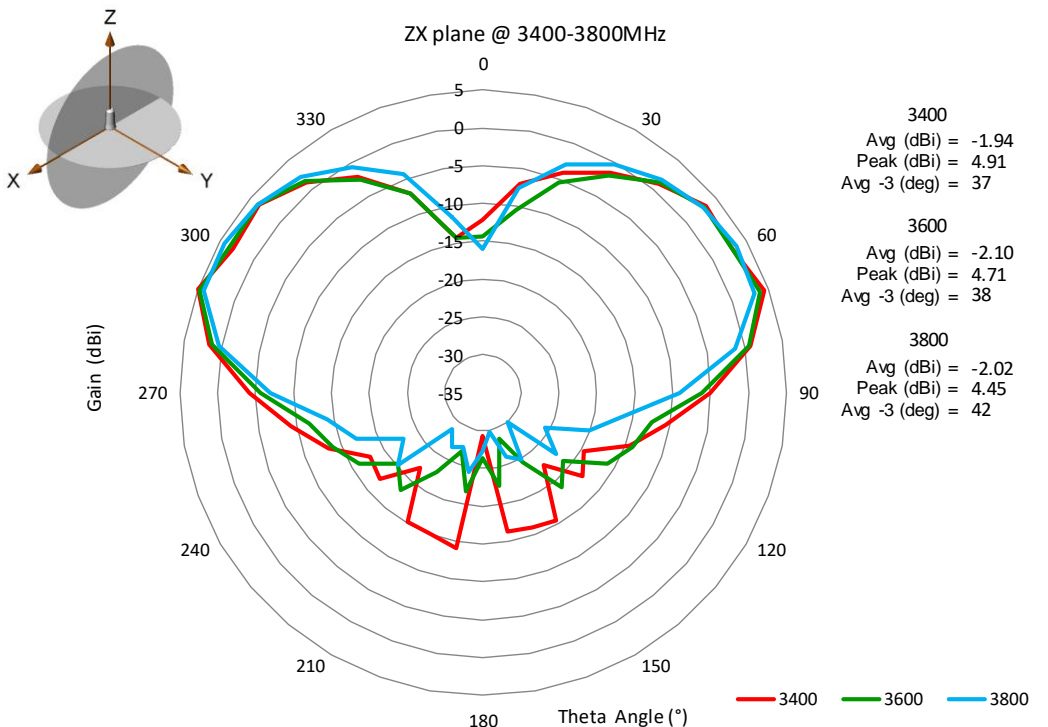
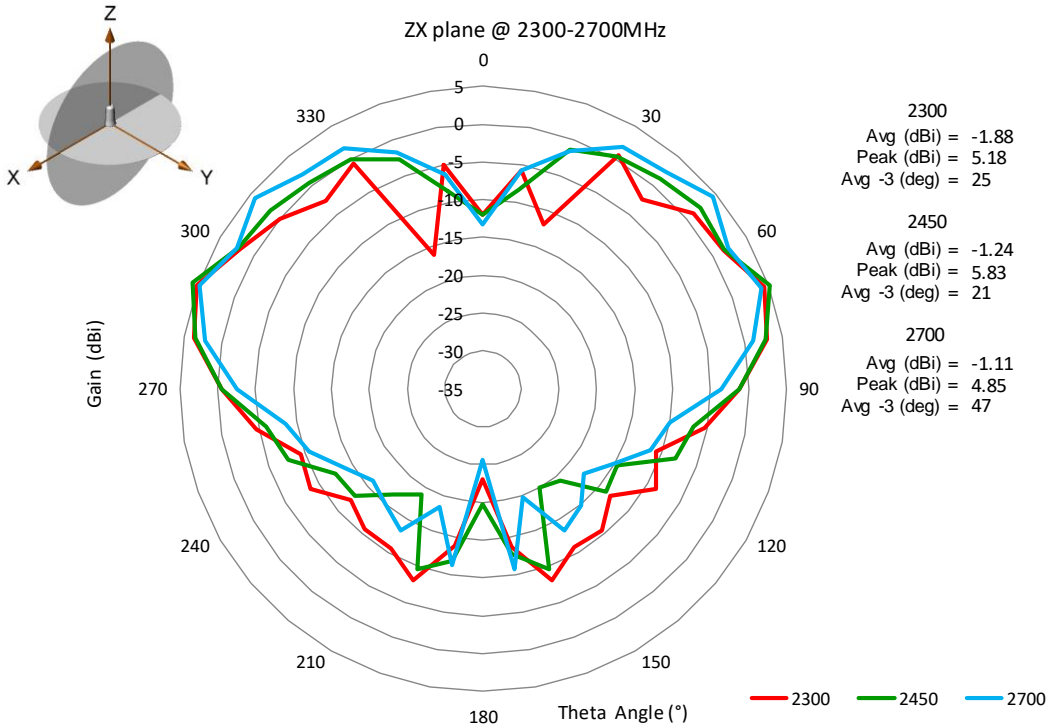


Description: 617-3800MHz, Direct mount, Monopole

Series: Low Profile Transit

**PART NUMBER: LPT600/3800DMN (Black)
LPT600/3800DMNW (White)**

CHARTS



Issue: 1925P

In the effort to improve our products, we reserve the right to make changes judged to be necessary.

CONFIDENTIAL AND PROPRIETARY INFORMATION

This document contains confidential and proprietary information of Pulse Electronics, Inc. (Pulse) and is protected by copyright, trade secret and other state and federal laws. Its receipt or possession does not convey any rights to reproduce, disclose its contents, or to manufacture, use or sell anything it may describe. Reproduction, disclosure or use without specific written authorization of Pulse is strictly forbidden.

Series: Low Profile Transit

Description: 617-3800MHz, Direct mount, Monopole

PART NUMBER: LPT600/3800DMN (Black)
LPT600/3800DMNW (White)

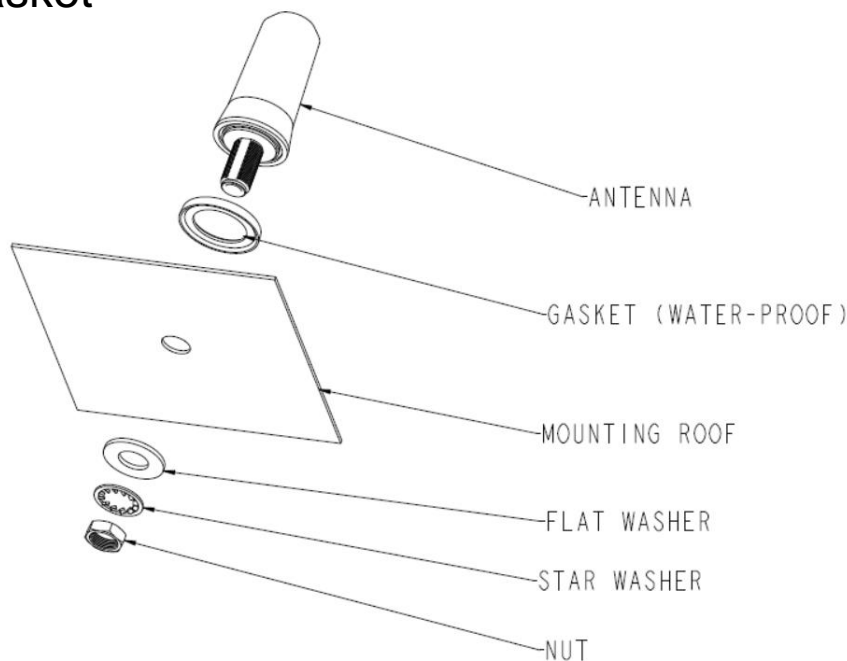
PACKAGING

- 1 antenna packed in a plastic bag
- 1 label on each product with part number
- 48pcs pre box
- Gasket and O-Ring packed in a plastic bag for alternative seals.

ASSEMBLY

Direct mounting, 15.9mm (0.625") hole required. The mounting roof thickness should be less than 5mm (0.2"). There are two options to make the antenna water-proof when assembling.

Option 1: Gasket



Issue: 1925P

In the effort to improve our products, we reserve the right to make changes judged to be necessary.

CONFIDENTIAL AND PROPRIETARY INFORMATION

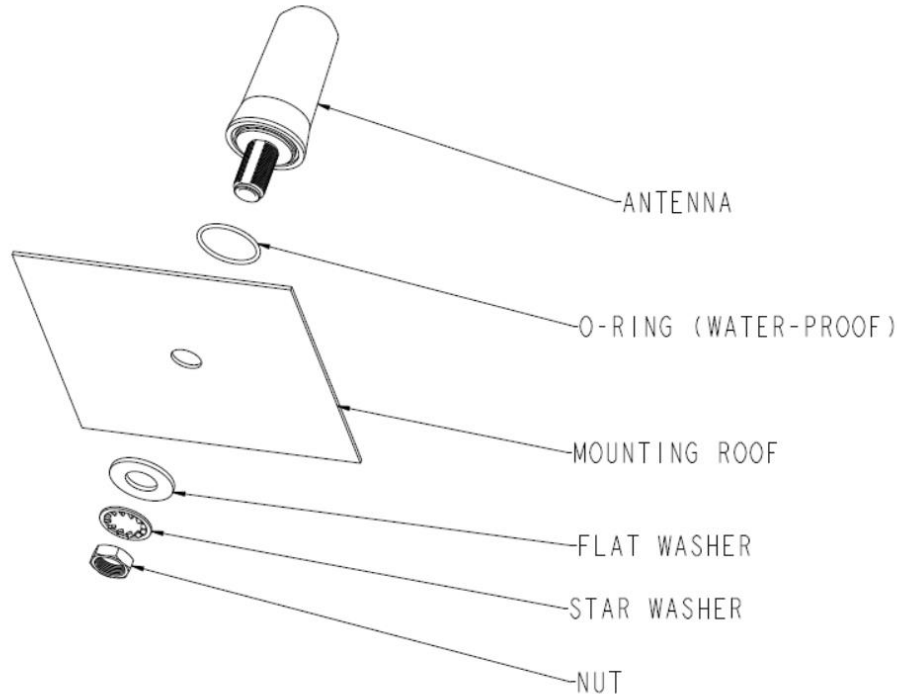
This document contains confidential and proprietary information of Pulse Electronics, Inc. (Pulse) and is protected by copyright, trade secret and other state and federal laws. Its receipt or possession does not convey any rights to reproduce, disclose its contents, or to manufacture, use or sell anything it may describe. Reproduction, disclosure or use without specific written authorization of Pulse is strictly forbidden.

Description: 617-3800MHz, Direct mount, Monopole

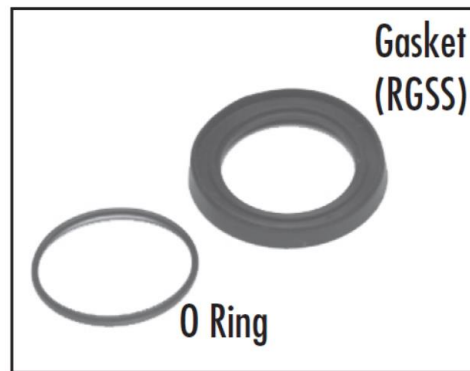
Series: Low Profile Transit

PART NUMBER: LPT600/3800DMN (Black)
LPT600/3800DMNW (White)

Option 2: O-Ring



Note: Use one or other for mounting the antenna --- they cannot be used together. The RGSS is typically used for permanent mounts.



Issue: 1925P

In the effort to improve our products, we reserve the right to make changes judged to be necessary.

CONFIDENTIAL AND PROPRIETARY INFORMATION

This document contains confidential and proprietary information of Pulse Electronics, Inc. (Pulse) and is protected by copyright, trade secret and other state and federal laws. Its receipt or possession does not convey any rights to reproduce, disclose its contents, or to manufacture, use or sell anything it may describe. Reproduction, disclosure or use without specific written authorization of Pulse is strictly forbidden.

Preliminary