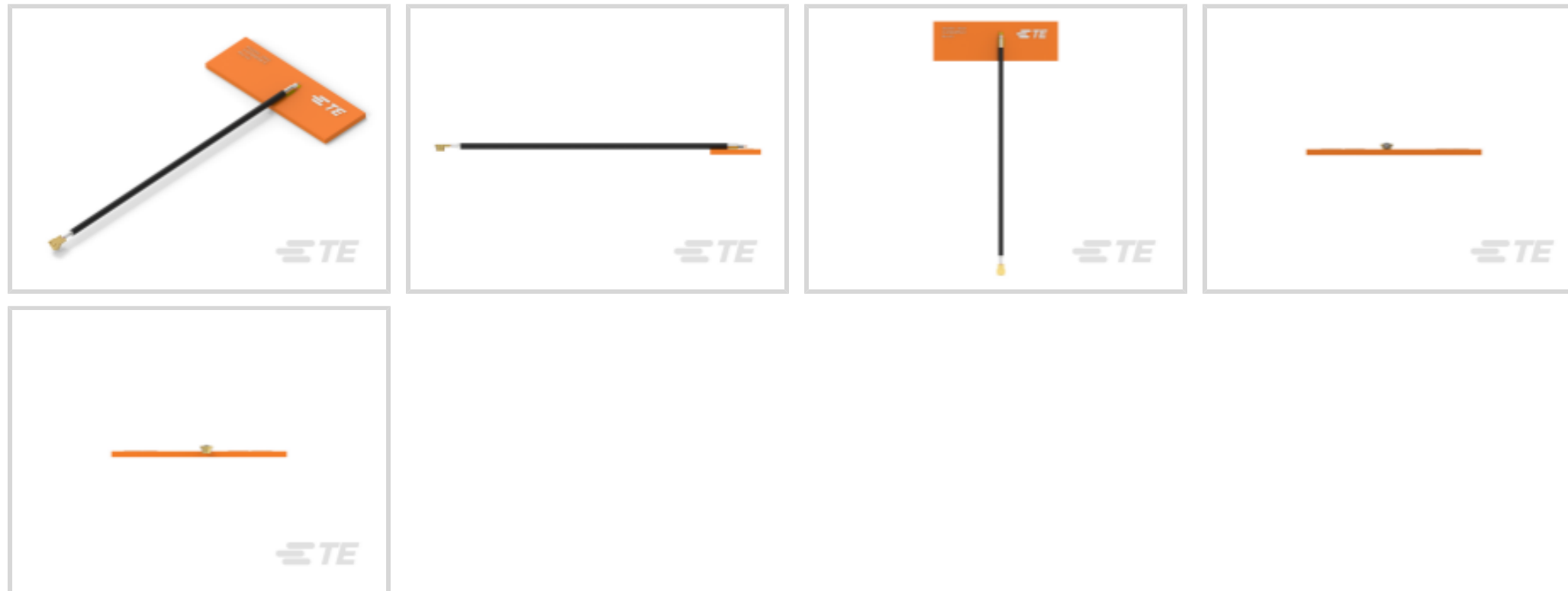




Antennas



Wireless Application: **Bluetooth, Wi-Fi, Zigbee**  
 Mounting Location: **Internal/Embedded**  
 Mounting Type: **Adhesive**  
 Antenna Termination: **MHF4**  
 Antenna Type: **PCB**

**Features**

**Product Type Features**

Antenna Product Type	Antenna
Antenna Termination	MHF4

**Configuration Features**

Antenna Style	PCB
Mounting Location	Internal/Embedded
Antenna Type	PCB
Band Type	Dual Band
Port Configuration	Single Port

**Electrical Characteristics**

Antenna Operation	Passive
VSWR (Max)	< 2.0:1
Impedance	50 Ω

**Signal Characteristics**

Gain (Max)	5 dB
Frequency Band	2400 – 2500 MHz, 5150 – 5875 MHz



Nominal Frequency Range	2400 – 5950
-------------------------	-------------

Peak Gain	3 < 6 dBi
-----------	-----------

### Body Features

Product Weight	1.2 g [.042 oz]
----------------	-----------------

### Mechanical Attachment

Polarization	Linear
--------------	--------

Mounting Type	Adhesive
---------------	----------

### Dimensions

Cable Insulation Diameter (Max)	.7 mm [.028 in]
---------------------------------	-----------------

Cable Length	.1 m [.33 ft]
--------------	---------------

Product Diameter	1.13 mm [.044 in]
------------------	-------------------

Product Width	9.5 mm [.374 in]
---------------	------------------

Product Length	30 mm [1.181 in]
----------------	------------------

Product Height	1 mm [.039 in]
----------------	----------------

### Operation/Application

Wireless Standard	802.11 a/b/g/n/ac/ad, Bluetooth, ZigBee & Wi-Fi
-------------------	---

Directionality	Omnidirectional
----------------	-----------------

### Industry Standards

Wireless Application	Bluetooth, Wi-Fi, Zigbee
----------------------	--------------------------

Primary Application	Wi-Fi
---------------------	-------

### Product Availability

Applicable Region	Global
-------------------	--------

### Packaging Features

Packaging Method	Bag & Box
------------------	-----------

### Other

Precision Level	Standard
-----------------	----------

### Product Compliance

For compliance documentation, visit the product page on [TE.com](#)>

EU RoHS Directive 2011/65/EU	Compliant
------------------------------	-----------

EU ELV Directive 2000/53/EC	Compliant
-----------------------------	-----------



China RoHS 2 Directive MIIT Order No 32, 2016	No Restricted Materials Above Threshold
EU REACH Regulation (EC) No. 1907/2006	Current ECHA Candidate List: JUNE 2023 (235) Candidate List Declared Against: JUNE 2023 (235) Does not contain REACH SVHC
Halogen Content	Low Bromine/Chlorine - Br and Cl < 900 ppm per homogenous material. Also BFR /CFR/PVC Free
Solder Process Capability	Not applicable for solder process capability

Product Compliance Disclaimer

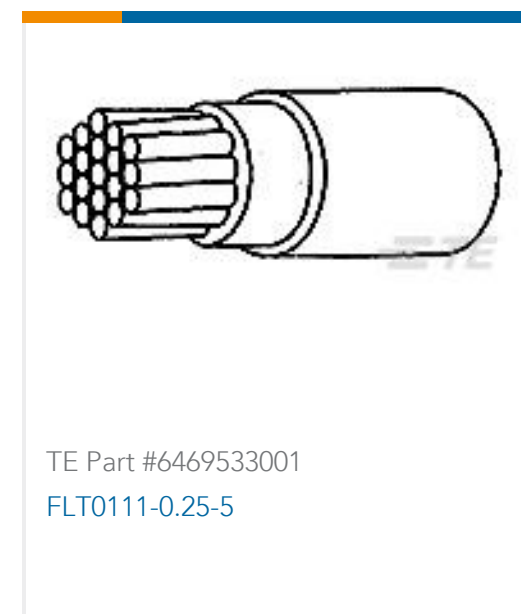
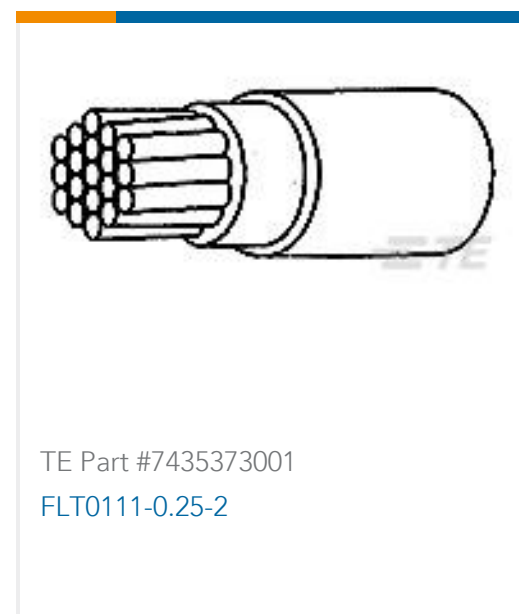
This information is provided based on reasonable inquiry of our suppliers and represents our current actual knowledge based on the information they provided. This information is subject to change. The part numbers that TE has identified as EU RoHS compliant have a maximum concentration of 0.1% by weight in homogenous materials for lead, hexavalent chromium, mercury, PBB, PBDE, DBP, BBP, DEHP, DIBP, and 0.01% for cadmium, or qualify for an exemption to these limits as defined in the Annexes of Directive 2011/65/EU (RoHS2). Finished electrical and electronic equipment products will be CE marked as required by Directive 2011/65/EU. Components may not be CE marked. Additionally, the part numbers that TE has identified as EU ELV compliant have a maximum concentration of 0.1% by weight in homogenous materials for lead, hexavalent chromium, and mercury, and 0.01% for cadmium, or qualify for an exemption to these limits as defined in the Annexes of Directive 2000/53/EC (ELV). Regarding the REACH Regulation, the information TE provides on SVHC in articles for this part number is based on the latest European Chemicals Agency (ECHA) 'Guidance on requirements for substances in articles' posted at this URL: <https://echa.europa.eu/guidance-documents/guidance-on-reach>

## Compatible Parts



## Customers Also Bought





## Documents

### CAD Files

#### 3D PDF

3D

#### Customer View Model

[ENG\\_CVM\\_CVM\\_2344654-6\\_B.2d\\_dxf.zip](#)

English

#### Customer View Model

[ENG\\_CVM\\_CVM\\_2344654-6\\_B.3d\\_igs.zip](#)

English

#### Customer View Model

[ENG\\_CVM\\_CVM\\_2344654-6\\_B.3d\\_stp.zip](#)

English

#### 3D PDF

3D

#### Customer View Model

[ENG\\_CVM\\_CVM\\_2344654-8\\_B.2d\\_dxf.zip](#)

English

#### Customer View Model

[ENG\\_CVM\\_CVM\\_2344654-8\\_B.3d\\_igs.zip](#)

English

#### Customer View Model

[ENG\\_CVM\\_CVM\\_2344654-8\\_B.3d\\_stp.zip](#)

English

By downloading the CAD file I accept and agree to the [Terms and Conditions](#) of use.

### Datasheets & Catalog Pages

[Datasheet 2344654-X](#)



English

---

[Product Specifications](#)

[Product Specification](#)

English