

Description: LTE 4G/5G 617-4200MHz Low PIM Ceiling Mount antenna

Series: Skinny

PART NUMBER: DASLPP5G4310/DASLPP5GNF

Features:

- Frequency 617-4200MHz
- Gain 2/3/4dBi
- Size $\Phi 179 \times 10 \text{mm}$ (7.047x0.394")
- Low PIM -152dBc
- Connector: 4.3-10 Female or N-Female
- Direct mounting with nut

Applications:

- In building
- DAS system
- DAS 4G LTE systems
- DAS 5G systems
- Ceiling mounting



All dimensions are in mm / inches

Issue: 1923

In the effort to improve our products, we reserve the right to make changes judged to be necessary.

CONFIDENTIAL AND PROPRIETARY INFORMATION

This document contains confidential and proprietary information of Pulse Electronics, Inc. (Pulse) and is protected by copyright, trade secret and other state and federal laws. Its receipt or possession does not convey any rights to reproduce, disclose its contents, or to manufacture, use or sell anything it may describe. Reproduction, disclosure or use without specific written authorization of Pulse is strictly forbidden.

For more information:

Pulse Worldwide Headquarters
15255 Innovation Drive #100
San Diego, CA 92128
USA
Tel: 1-858-674-8100

Pulse/Larsen Antennas
18110 SE 34th St Bldg 2 Suite 250
Vancouver, WA 98683
USA
Tel: 1-360-944-7551

Europe Headquarters
Pulse GmbH & Do, KG
Zeppelinstrasse 15
Herrenberg, Germany
Tel: 49 7032 7806 0

Pulse (Suzhou) Wireless Products Co, Inc.
99 Huo Ju Road(#29 Bldg, 4th Phase
Suzhou New District
Jiangsu Province, Suzhou 215009 PR China
Tel: 86 512 6807 9998



Description: LTE 4G/5G 617-4200MHz Low PIM Ceiling Mount antenna

Series: Skinny

PART NUMBER: **DASLPP5G4310/DASLPP5GNF**

ELECTRICAL SPECIFICATIONS

Antenna Type	Multi-dipole
Frequency	617-960/1710-2700/3300-4200MHz
Nominal Impedance	50 Ω
VSWR	<1.5
Radiation Pattern	Omn
Gain(Average peak)	2.3/2.9/3.2dBi
Intermodulation IM3(2x43dBm carrier)	<152dBc
Polarization	Horizontal
Power Withstanding	50W

MECHANICAL SPECIFICATIONS

P.N	Antenna Size	Weight	Antenna Color/Material	Connector Type	Cable Type	Cable Length
DASLPP5G4310	Φ179x10mm (7.047x0.394")	220 ± 10g	White/ABS	4.3-10 Female	RG141, UL94-V0	300mm(11.811")
DASLPP5GNF				N Female		

ENVIRONMENTAL SPECIFICATIONS

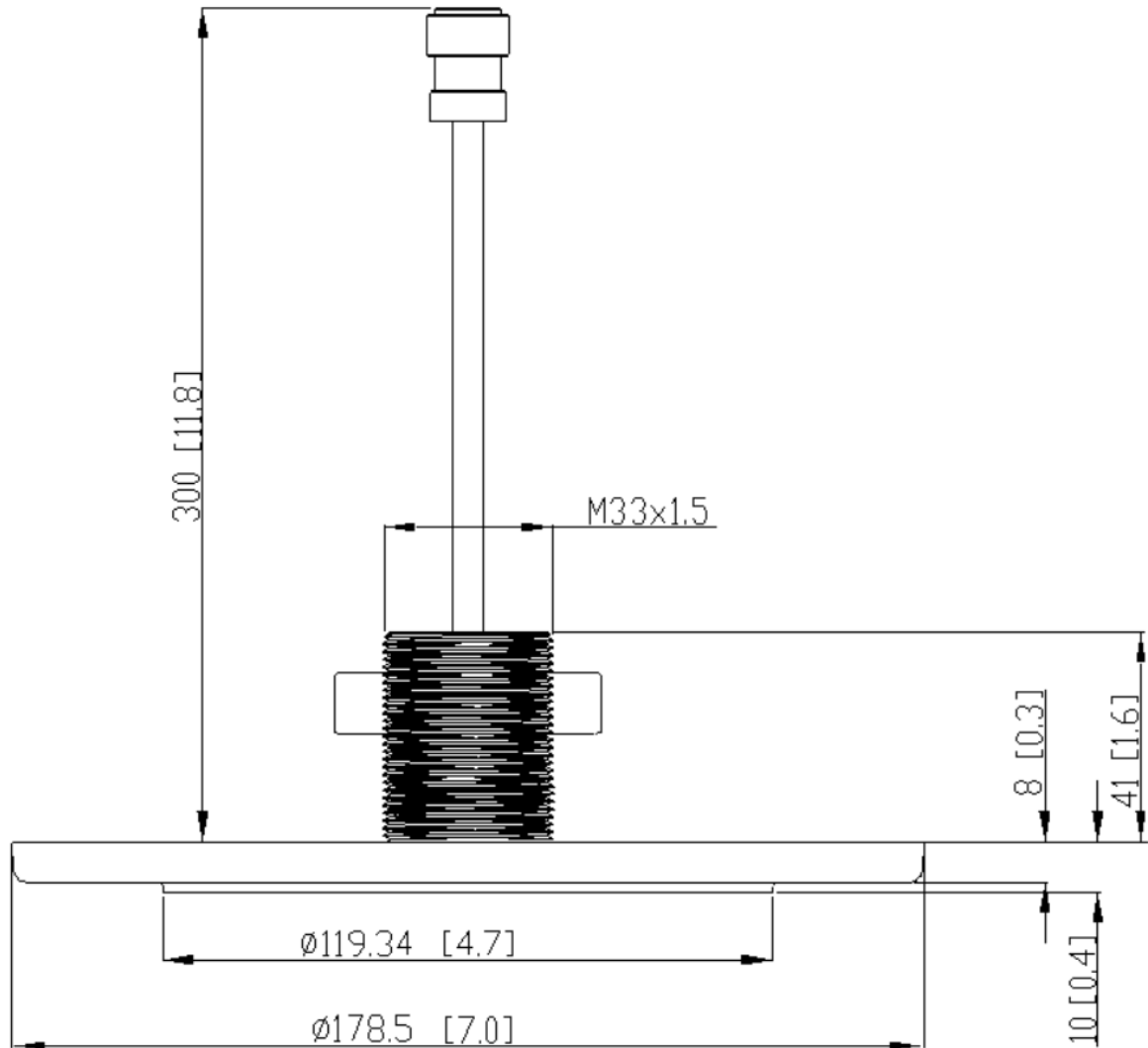
Operating Temperature	-40 ~ +85° C
Storage Temperature	-40 ~ +85° C
Ingress Protection	IP30
RoHS Compliant	Yes

Description: LTE 4G/5G 617-4200MHz Low PIM Ceiling Mount antenna

Series: Skinny

PART NUMBER: DASLPP5G4310/DASLPP5GNF

MECHANICAL DRAWING



Unit: MM [IN]

Issue: 1923

In the effort to improve our products, we reserve the right to make changes judged to be necessary.

CONFIDENTIAL AND PROPRIETARY INFORMATION

This document contains confidential and proprietary information of Pulse Electronics, Inc. (Pulse) and is protected by copyright, trade secret and other state and federal laws. Its receipt or possession does not convey any rights to reproduce, disclose its contents, or to manufacture, use or sell anything it may describe. Reproduction, disclosure or use without specific written authorization of Pulse is strictly forbidden.

Description: LTE 4G/5G 617-4200MHz Low PIM Ceiling Mount antenna

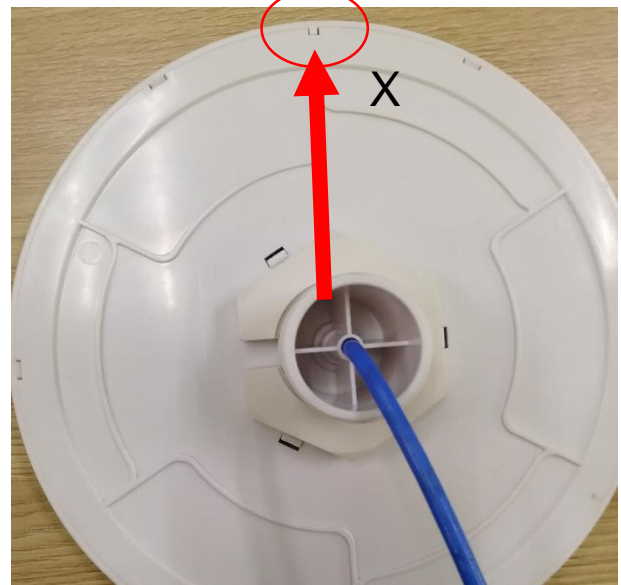
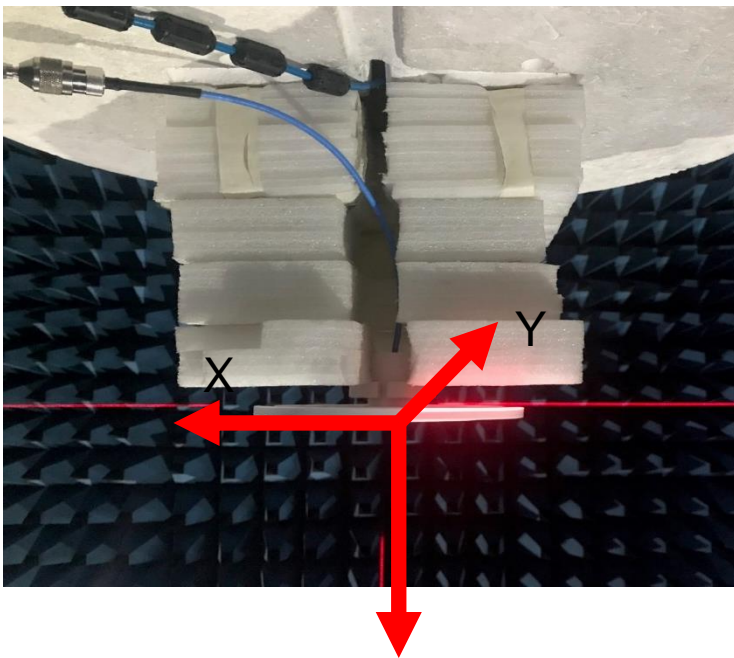
Series: Skinny

PART NUMBER: DASLPP5G4310/DASLPP5GNF

CHARTS

Test Setup

0 degree marker



Z, towards floor

Z-axial is theta 0 degree.

Issue: 1923

In the effort to improve our products, we reserve the right to make changes judged to be necessary.

CONFIDENTIAL AND PROPRIETARY INFORMATION

This document contains confidential and proprietary information of Pulse Electronics, Inc. (Pulse) and is protected by copyright, trade secret and other state and federal laws. Its receipt or possession does not convey any rights to reproduce, disclose its contents, or to manufacture, use or sell anything it may describe. Reproduction, disclosure or use without specific written authorization of Pulse is strictly forbidden.

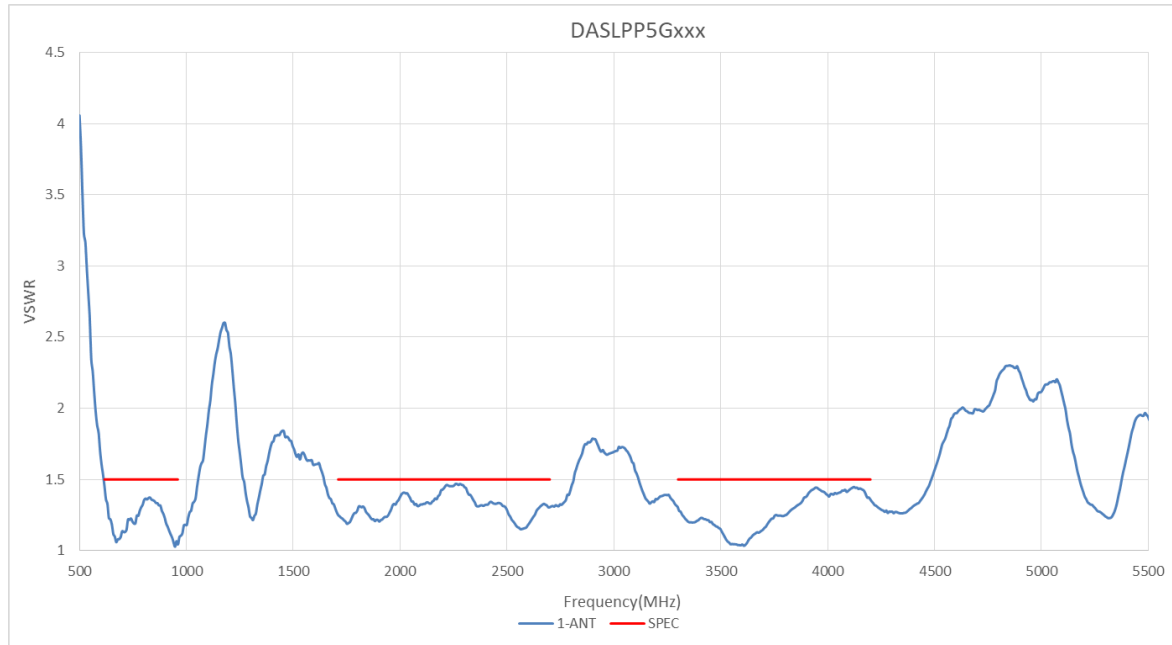
Description: LTE 4G/5G 617-4200MHz Low PIM Ceiling Mount antenna

Series: Skinny

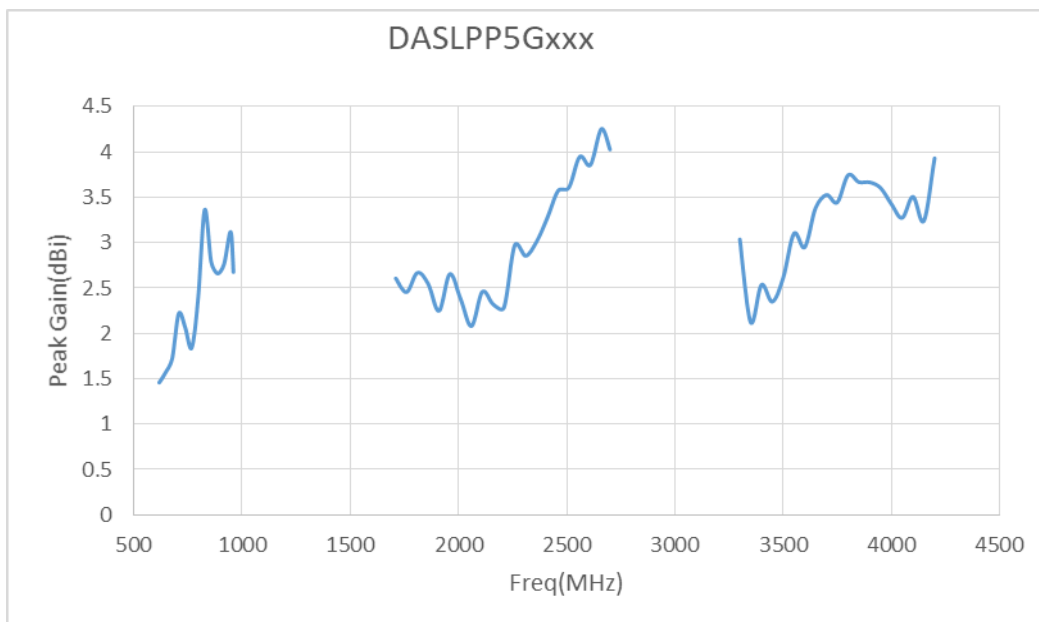
PART NUMBER: DASLPP5G4310/DASLPP5GNF

CHARTS

VSWR in free space



Peak Gain in free space



Issue: 1923

In the effort to improve our products, we reserve the right to make changes judged to be necessary.

CONFIDENTIAL AND PROPRIETARY INFORMATION

This document contains confidential and proprietary information of Pulse Electronics, Inc. (Pulse) and is protected by copyright, trade secret and other state and federal laws. Its receipt or possession does not convey any rights to reproduce, disclose its contents, or to manufacture, use or sell anything it may describe. Reproduction, disclosure or use without specific written authorization of Pulse is strictly forbidden.

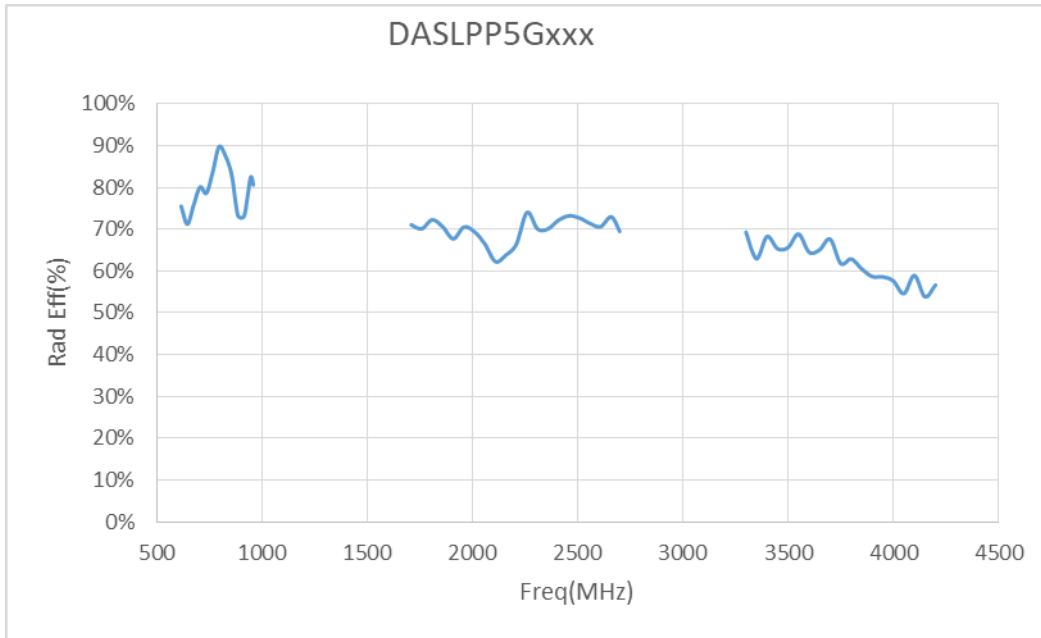
Description: LTE 4G/5G 617-4200MHz Low PIM Ceiling Mount antenna

Series: Skinny

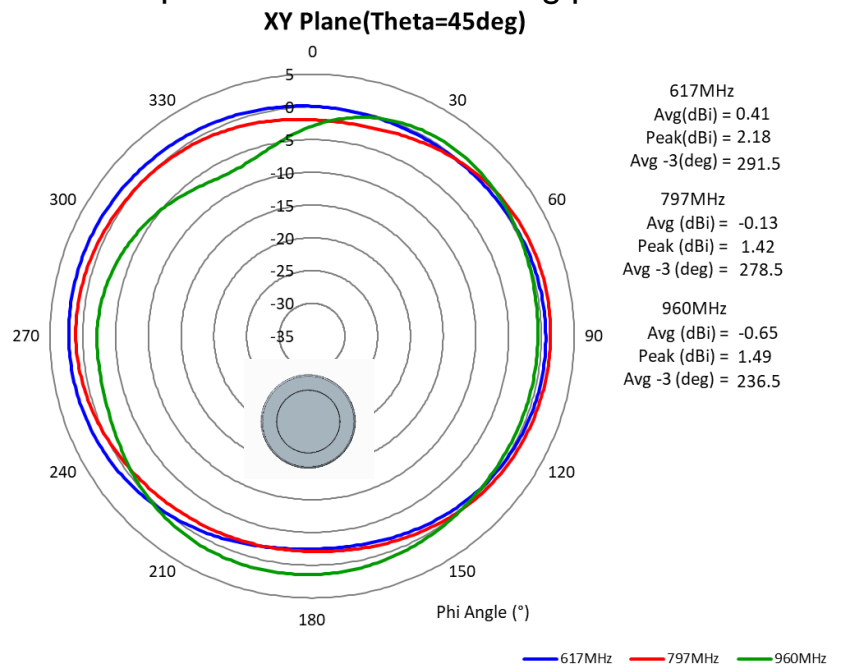
PART NUMBER: DASLPP5G4310/DASLPP5GNF

CHARTS

Radiation Efficiency in free space



Radiation pattern of theta is 45deg plane at low band



Issue: 1923

In the effort to improve our products, we reserve the right to make changes judged to be necessary.

CONFIDENTIAL AND PROPRIETARY INFORMATION

This document contains confidential and proprietary information of Pulse Electronics, Inc. (Pulse) and is protected by copyright, trade secret and other state and federal laws. Its receipt or possession does not convey any rights to reproduce, disclose its contents, or to manufacture, use or sell anything it may describe. Reproduction, disclosure or use without specific written authorization of Pulse is strictly forbidden.

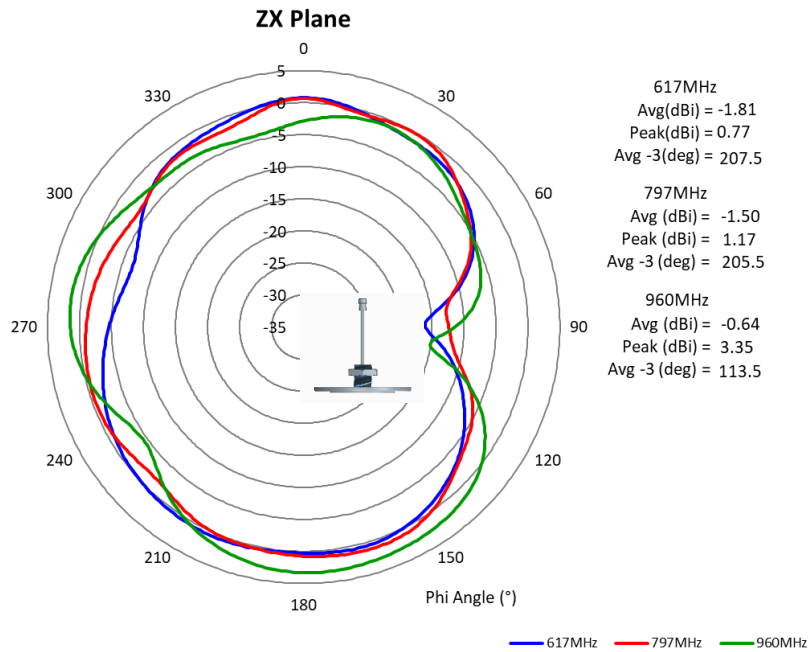
Description: LTE 4G/5G 617-4200MHz Low PIM Ceiling Mount antenna

Series: Skinny

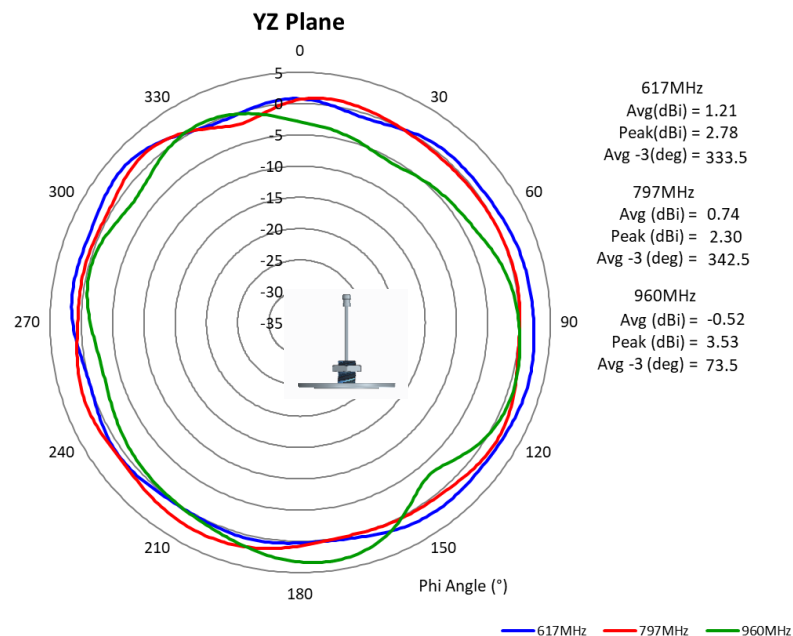
PART NUMBER: DASLPP5G4310/DASLPP5GNF

CHARTS

Radiation pattern of ZX plane at low band



Radiation pattern of YZ plane at low band



Issue: 1923

In the effort to improve our products, we reserve the right to make changes judged to be necessary.

CONFIDENTIAL AND PROPRIETARY INFORMATION

This document contains confidential and proprietary information of Pulse Electronics, Inc. (Pulse) and is protected by copyright, trade secret and other state and federal laws. Its receipt or possession does not convey any rights to reproduce, disclose its contents, or to manufacture, use or sell anything it may describe. Reproduction, disclosure or use without specific written authorization of Pulse is strictly forbidden.

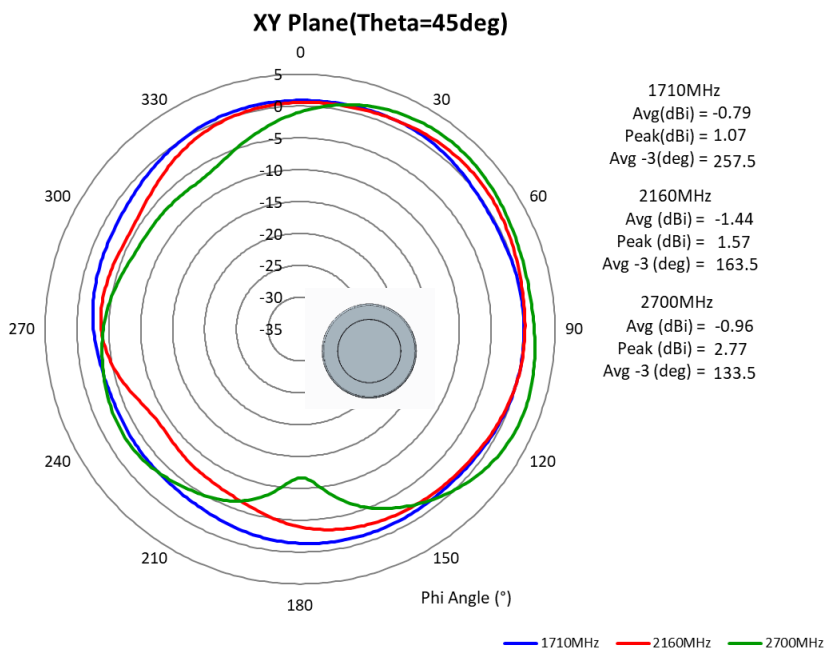
Description: LTE 4G/5G 617-4200MHz Low PIM Ceiling Mount antenna

Series: Skinny

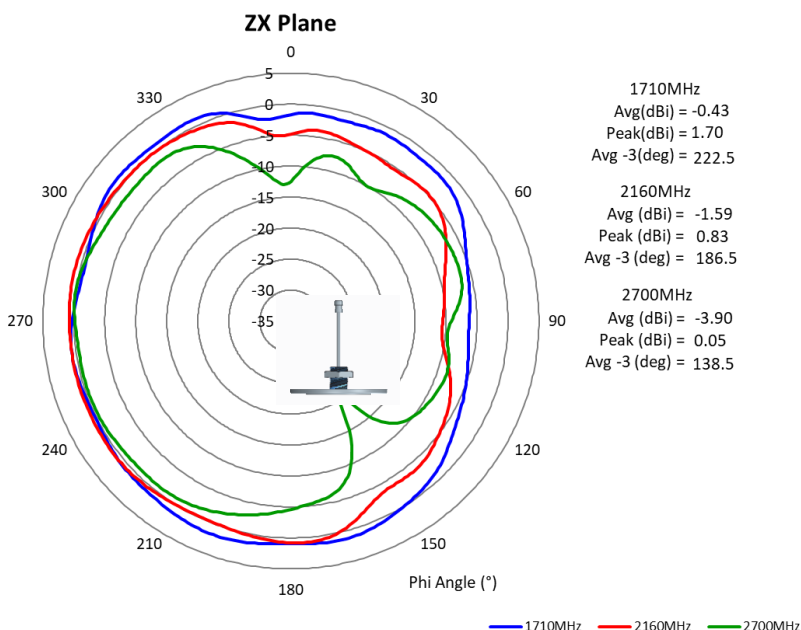
PART NUMBER: DASLPP5G4310/DASLPP5GNF

CHARTS

Radiation pattern of theta is 45deg plane at mid band



Radiation pattern of ZX plane at mid band



Issue: 1923

In the effort to improve our products, we reserve the right to make changes judged to be necessary.

CONFIDENTIAL AND PROPRIETARY INFORMATION

This document contains confidential and proprietary information of Pulse Electronics, Inc. (Pulse) and is protected by copyright, trade secret and other state and federal laws. Its receipt or possession does not convey any rights to reproduce, disclose its contents, or to manufacture, use or sell anything it may describe. Reproduction, disclosure or use without specific written authorization of Pulse is strictly forbidden.

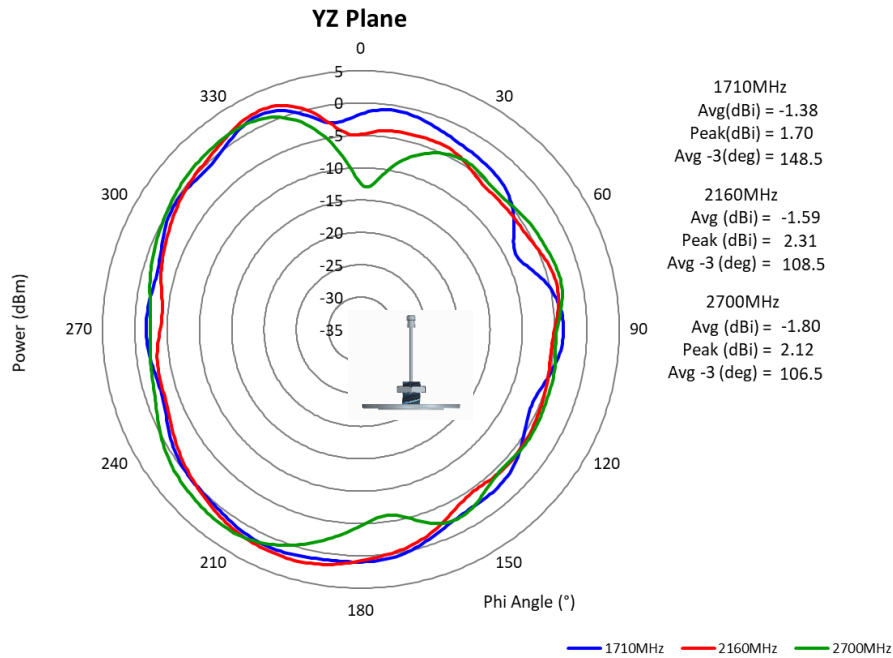
Description: LTE 4G/5G 617-4200MHz Low PIM Ceiling Mount antenna

Series: Skinny

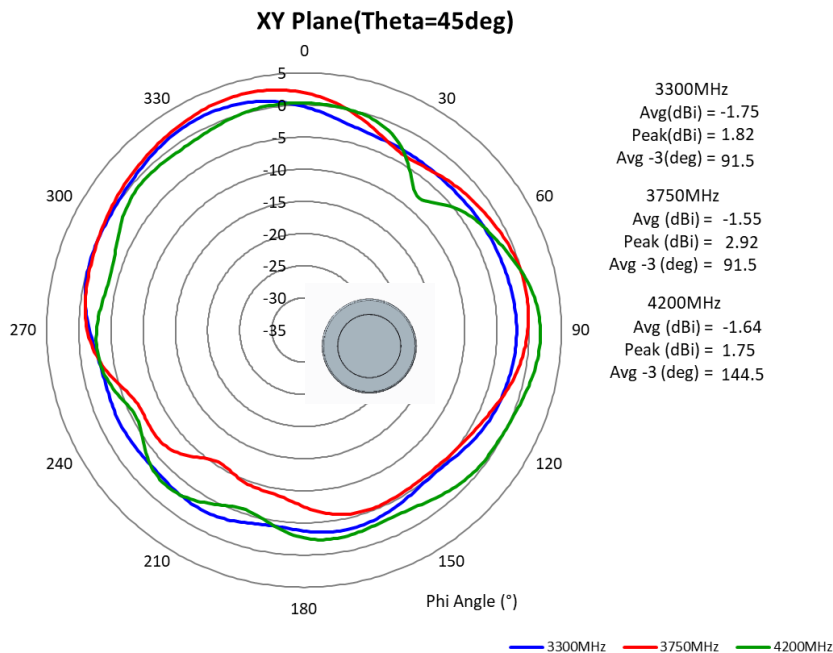
PART NUMBER: DASLPP5G4310/DASLPP5GNF

CHARTS

Radiation pattern of YZ plane at mid band



Radiation pattern of theta is 45 deg plane at high band



Issue: 1923

In the effort to improve our products, we reserve the right to make changes judged to be necessary.

CONFIDENTIAL AND PROPRIETARY INFORMATION

This document contains confidential and proprietary information of Pulse Electronics, Inc. (Pulse) and is protected by copyright, trade secret and other state and federal laws. Its receipt or possession does not convey any rights to reproduce, disclose its contents, or to manufacture, use or sell anything it may describe. Reproduction, disclosure or use without specific written authorization of Pulse is strictly forbidden.

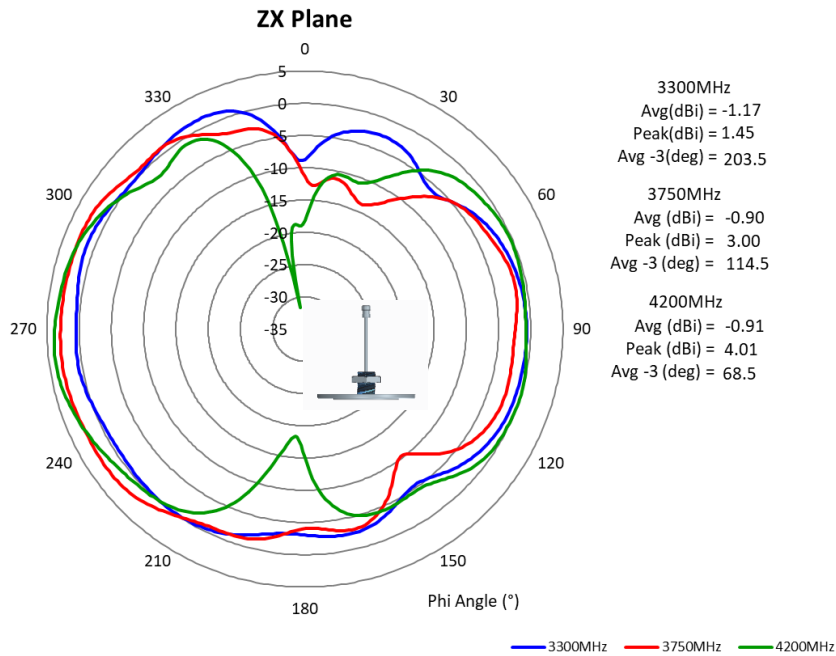
Description: LTE 4G/5G 617-4200MHz Low PIM Ceiling Mount antenna

Series: Skinny

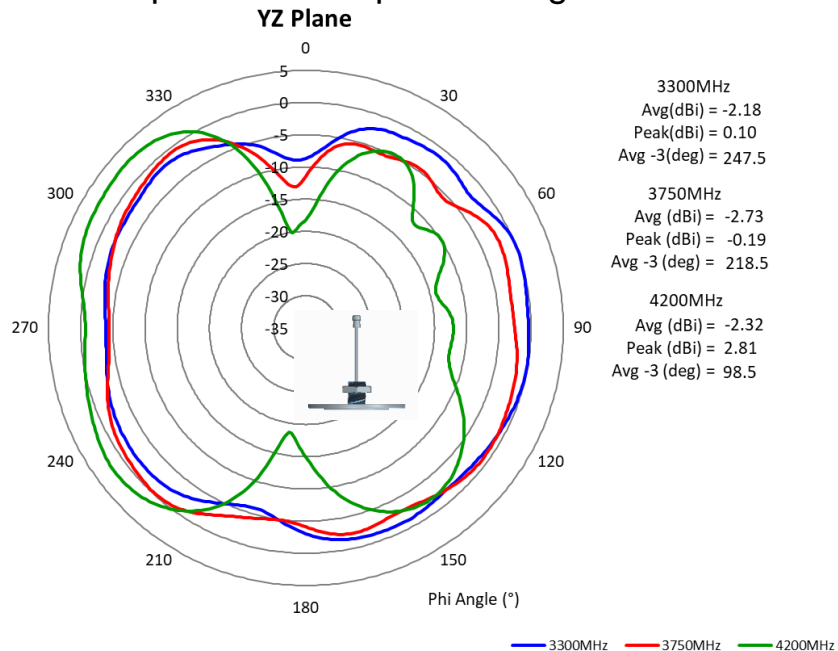
PART NUMBER: DASLPP5G4310/DASLPP5GNF

CHARTS

Radiation pattern of ZX plane at high band



Radiation pattern of YZ plane at high band



Issue: 1923

In the effort to improve our products, we reserve the right to make changes judged to be necessary.

CONFIDENTIAL AND PROPRIETARY INFORMATION

This document contains confidential and proprietary information of Pulse Electronics, Inc. (Pulse) and is protected by copyright, trade secret and other state and federal laws. Its receipt or possession does not convey any rights to reproduce, disclose its contents, or to manufacture, use or sell anything it may describe. Reproduction, disclosure or use without specific written authorization of Pulse is strictly forbidden.

Description: LTE 4G/5G 617-4200MHz Low PIM Ceiling Mount antenna

Series: Skinny

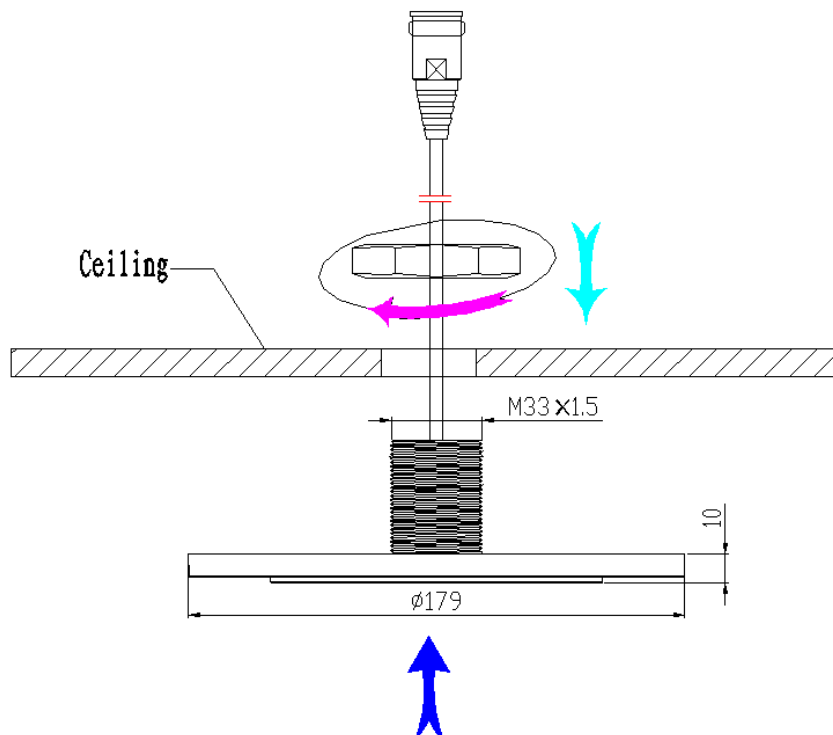
PART NUMBER: DASLPP5G4310/DASLPP5GNF

PACKAGING

1pcs / Small Box

40pcs / Carton

ASSEMBLY



1. Drill a $\Phi 33 \sim \Phi 44$ hole on the ceiling.
2. Install the antenna as the following picture shows then tighten the bolts.
3. Connect the RF jumper to antenna connector.

Issue: 1923

In the effort to improve our products, we reserve the right to make changes judged to be necessary.

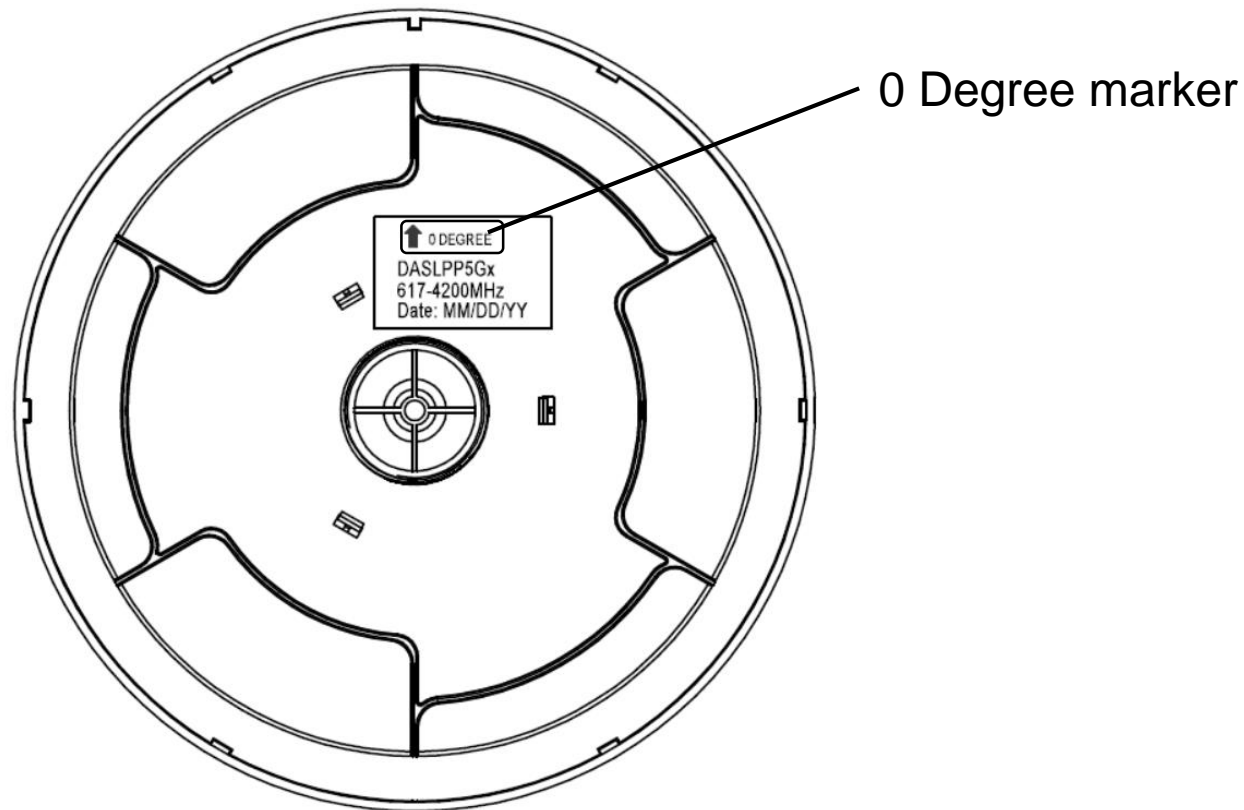
CONFIDENTIAL AND PROPRIETARY INFORMATION

This document contains confidential and proprietary information of Pulse Electronics, Inc. (Pulse) and is protected by copyright, trade secret and other state and federal laws. Its receipt or possession does not convey any rights to reproduce, disclose its contents, or to manufacture, use or sell anything it may describe. Reproduction, disclosure or use without specific written authorization of Pulse is strictly forbidden.

Description: LTE 4G/5G 617-4200MHz Low PIM Ceiling Mount antenna

Series: Skinny

PART NUMBER: DASLPP5G4310/DASLPP5GNF



ADDITIONAL NOTES:

Some customers may chose to take into consideration antenna propagation orientation during their planning process. The Horizontal rotation alignment mark ($\Phi=0$ deg), along with data from iBwave file will support this.

N Female: Maximum Torque 6.2-9.74 in-lbs (0.7-1.1Nm)

4.3-10 DIN: Maximum Torque 45-70 in-lbs (5-8Nm)