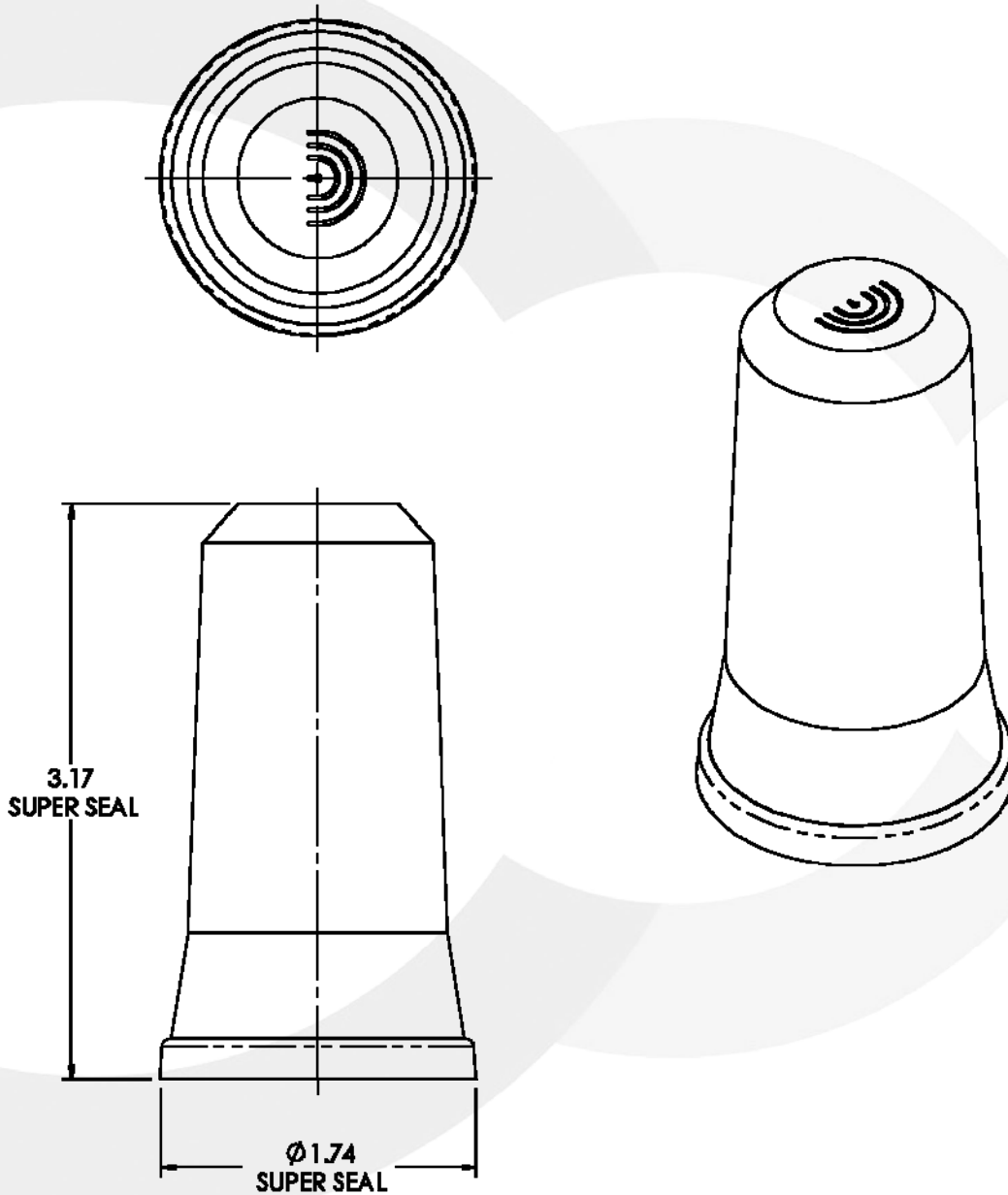


Low Profile Transit style NMOHF Antenna

2400-2500 MHz

LPT2400NMOHF

Series : ANTENNA



All dimensions are inches

Issue : 0717

In the effort to improve our products, we reserve the right to make changes judged to be necessary.



Low Profile Transit style NMOHF Antenna**2400-2500 MHz****LPT2400NMOHF**

Series : ANTENNA

ELECTRICAL SPECIFICATIONS

Frequency :	2400-2500 MHz
Nominal Impedance :	50 Ω
VSWR :	2.0:1 Max
Peak Gain (@ 0° elevation) :	1 dBi ± 0.5 dB
Peak Gain (@ 35° elevation) :	5 dBi ± 0.5 dB
Peak Gain (without ground plane) : ..	1 dBi ± 0.5 dB
Radiation Pattern	
-3 dB beamwidth	
Horizontal Plane :	Omni-directional
Undulation Ratio	
Horizontal Plane :	± 1 dB
Polarization :	Vertical
Power withstanding :	10 W
Connector type :	NMOHF

Low Profile Transit style NMOHF Antenna**2400-2500 MHz****LPT2400NMOHF**

Series : ANTENNA

MECHANICAL SPECIFICATIONS

Plastic radome :	Macroblend
Color :	Black
Weight :	65 g
Overall length :	3.5 INCHES
Base diameter:	1.7 INCHES
Fixing system :	NMO HF MOUNT
Roof Thickness	.03" to 0.10"

ENVIRONMENTAL SPECIFICATIONS

Operating temperature :	-40/+70 ° C
Temperature :	

Issue : 0717

In the effort to improve our products, we reserve the right to make changes judged to be necessary.



Low Profile Transit style NMOHF Antenna

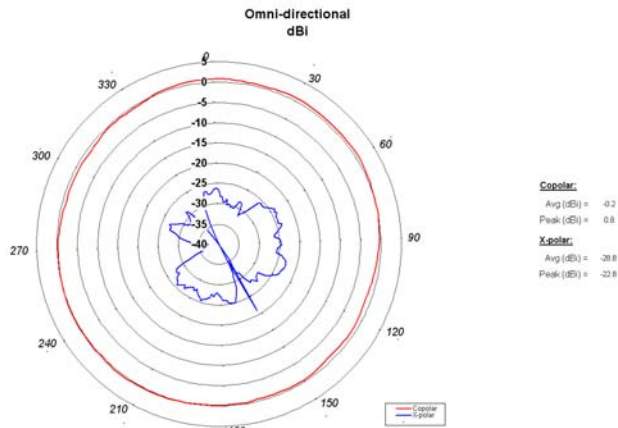
2400-2500 MHz

LPT2400NMOHF

Series : ANTENNA

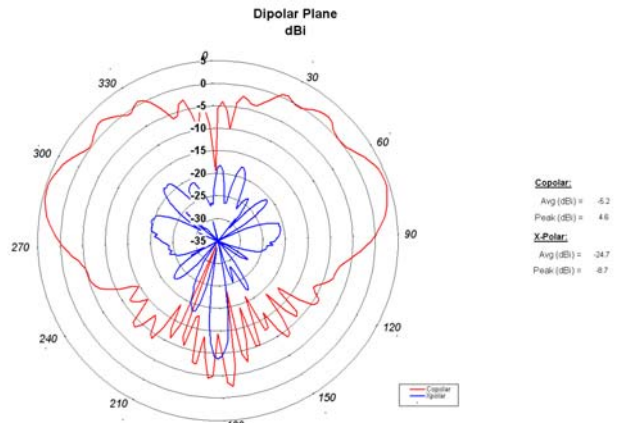
CURVES

Horizontal plane Gain



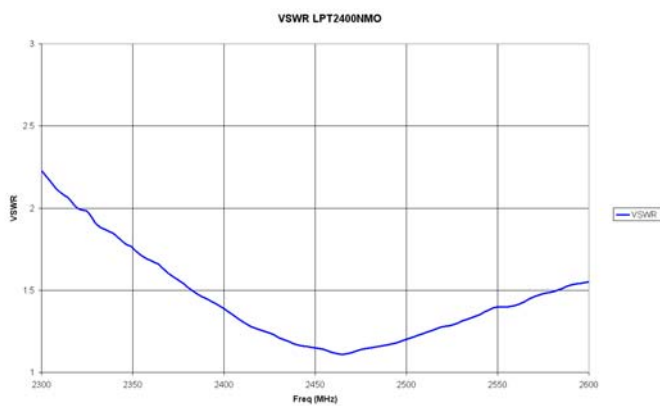
Ø40'' Circular ground plane

Vertical plane Gain

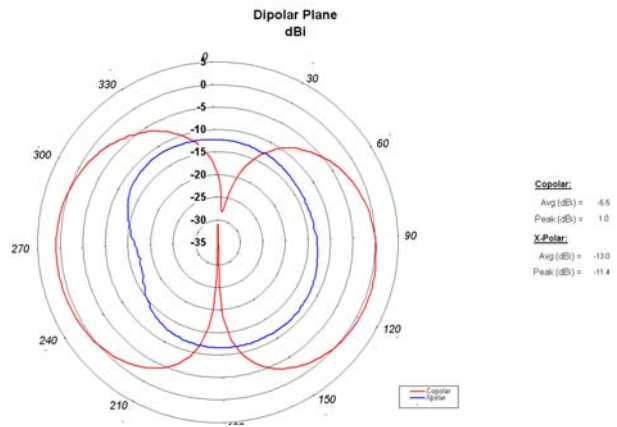


Ø40'' Circular ground plane

VSWR



Vertical plane Gain



Without ground plane

Issue : 0717

In the effort to improve our products, we reserve the right to make changes judged to be necessary.

