

2344655-3 ✓ ACTIVE

TE Internal #: 2344655-3

PCB Antenna, Triple Band, Wi-Fi, Internal/Embedded Mount,  
Adhesive, UMCC / MHF / MHF1, Omnidirectional, Single Port, Gain

3 < 6 dBi

[View on TE.com >](#)



#### Antennas



Wireless Application: **Bluetooth, Wi-Fi, Zigbee**

Mounting Location: **Internal/Embedded**

Mounting Type: **Adhesive**

Antenna Termination: **MHF, MHF1, U.FL, UMCC**

Antenna Type: **PCB**

### Features

#### Product Type Features

Antenna Product Type	Antenna
Antenna Termination	MHF, MHF1, U.FL, UMCC

#### Configuration Features

Antenna Style	PCB
Mounting Location	Internal/Embedded
Antenna Type	PCB
Band Type	Triple Band
Port Configuration	Single Port

#### Electrical Characteristics

Antenna Operation	Passive
VSWR (Max)	<2.7:1
Impedance	50 $\Omega$

#### Signal Characteristics

Gain (Max)	5.9 dB
------------	--------



Frequency Band	2450 – 2750 MHz, 5350 – 7000 MHz
----------------	----------------------------------

Nominal Frequency Range	2400 – 7125
-------------------------	-------------

Peak Gain	3 < 6 dBi
-----------	-----------

### Body Features

Product Weight	1.2 g[.042 oz]
----------------	----------------

### Mechanical Attachment

Polarization	Linear
--------------	--------

Mounting Type	Adhesive
---------------	----------

### Dimensions

Cable Insulation Diameter (Max)	.7 mm[.028 in]
---------------------------------	----------------

Cable Length	.15 m[.49 ft]
--------------	---------------

Product Diameter	1.13 mm[.044 in]
------------------	------------------

Product Width	8 mm[.315 in]
---------------	---------------

Product Length	33 mm[1.299 in]
----------------	-----------------

Product Height	1 mm[.039 in]
----------------	---------------

### Operation/Application

Wireless Standard	802.11 a/b/g/n/ac/ad/ax, Bluetooth, ZigBee & Wi-Fi
-------------------	--

Directionality	Omnidirectional
----------------	-----------------

### Industry Standards

Wireless Application	Bluetooth, Wi-Fi, Zigbee
----------------------	--------------------------

Primary Application	Wi-Fi
---------------------	-------

### Product Availability

Applicable Region	Global
-------------------	--------

### Packaging Features

Packaging Method	Bag & Box
------------------	-----------

### Other

Precision Level	Standard
-----------------	----------

### Product Compliance

[For compliance documentation, visit the product page on TE.com>](#)

EU RoHS Directive 2011/65/EU	Compliant
------------------------------	-----------



EU ELV Directive 2000/53/EC	Compliant
China RoHS 2 Directive MIIT Order No 32, 2016	No Restricted Materials Above Threshold
EU REACH Regulation (EC) No. 1907/2006	Current ECHA Candidate List: JUNE 2023 (235) Candidate List Declared Against: JUNE 2023 (235) Does not contain REACH SVHC
Halogen Content	Low Bromine/Chlorine - Br and Cl < 900 ppm per homogenous material. Also BFR /CFR/PVC Free
Solder Process Capability	Not applicable for solder process capability

Product Compliance Disclaimer

This information is provided based on reasonable inquiry of our suppliers and represents our current actual knowledge based on the information they provided. This information is subject to change. The part numbers that TE has identified as EU RoHS compliant have a maximum concentration of 0.1% by weight in homogenous materials for lead, hexavalent chromium, mercury, PBB, PBDE, DBP, BBP, DEHP, DIBP, and 0.01% for cadmium, or qualify for an exemption to these limits as defined in the Annexes of Directive 2011/65/EU (RoHS2). Finished electrical and electronic equipment products will be CE marked as required by Directive 2011/65/EU. Components may not be CE marked. Additionally, the part numbers that TE has identified as EU ELV compliant have a maximum concentration of 0.1% by weight in homogenous materials for lead, hexavalent chromium, and mercury, and 0.01% for cadmium, or qualify for an exemption to these limits as defined in the Annexes of Directive 2000/53/EC (ELV). Regarding the REACH Regulation, the information TE provides on SVHC in articles for this part number is based on the latest European Chemicals Agency (ECHA) 'Guidance on requirements for substances in articles' posted at this URL: <https://echa.europa.eu/guidance-documents/guidance-on-reach>

### Compatible Parts



TE Part # 2337019-1  
UMCC Micro-Coax receptacle, Gen 1

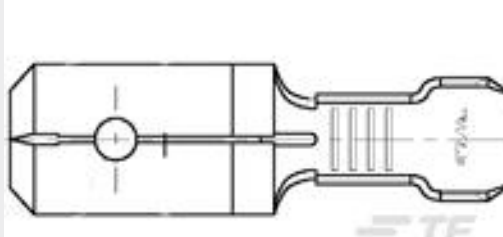
### Customers Also Bought



TE Part #2-66102-5  
III+ PIN,24-20,TIN ,STRIP



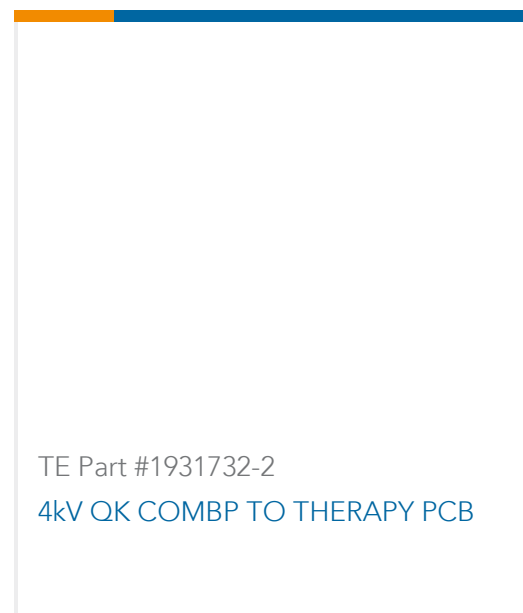
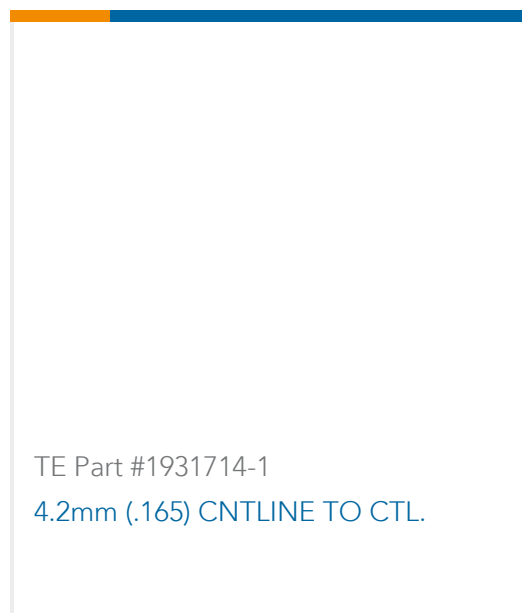
TE Part #1565994-4  
RITS HDR ASSY R/A SMT TYPE 4P WITH BOSS



TE Part #42475-4  
250 FASTON TAB 22-18 AWG TPBR



TE Part #42640-2  
250 FASTON REC 22-18 AWG TPBR



## Documents

### Product Drawings

[PCB ANT, MHF, 150mm, Wi-Fi TRIPLE BAND](#)

English

### CAD Files

[3D PDF](#)

3D

**Customer View Model**

[ENG\\_CVM\\_CVM\\_2344655-3\\_B.2d\\_dxf.zip](#)

English

**Customer View Model**

[ENG\\_CVM\\_CVM\\_2344655-3\\_B.3d\\_igs.zip](#)

English

**Customer View Model**

[ENG\\_CVM\\_CVM\\_2344655-3\\_B.3d\\_stp.zip](#)

English

By downloading the CAD file I accept and agree to the [Terms and Conditions](#) of use.

### Datasheets & Catalog Pages

[2344655-X](#)

English

[Wi-Fi\\_6\\_6E\\_Triple\\_Band\\_Datsheet](#)

English

### Product Specifications

[Product Specification](#)

English

2344655-3

PCB Antenna, Triple Band, Wi-Fi, Internal/Embedded Mount, Adhesive, UMCC /  
MHF / MHF1, Omnidirectional, Single Port, Gain 3 < 6 dBi

