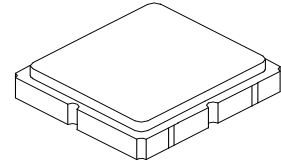


SF1184B-1

**947.5 MHz
SAW Filter**



SM3030-6

- **RF Filter for GSM900**
- **No Matching Circuit Required**
- **3.0 x 3.0 x 1.3 mm Package**
- **Complies with Directive 2002/95/EC (RoHS)**
- **Moisture Sensitivity Level: 1**

Absolute Maximum Ratings

Rating	Value	Units
Maximum Input Power	+15	dBm
DC voltage between Terminals	-5 to +5	VDC
Operable Temperature Range	-45 to +125	°C
Specification Temperature Range	-30 to +85	°C

Electrical Characteristics

Characteristic	Sym	Notes	Min	Typ	Max	Units				
Nominal Operating Frequency	f_c			947.5		MHz				
Passband	Insertion Loss (935~960 MHz)	IL		2.7	3.5	dB				
							Amplitude Ripple (935~960 MHz)	0.6	1.4	dB
Attenuation	D.C.~871 MHz		50	62.1		dB				
							890~915 MHz	30	43.9	dB
							980~1025 MHz	25	28.6	dB
							1025~2000 MHz	45	54.1	dB
							2000~3000 MHz	20	26.8	dB
VSWR (935~960 MHz)				1.6	2.3	dB				
Temperature Coefficient				-36		ppm/°C				
Impedance at f_c ; Input Z_{IN}				50		Ω				
Output Z_{OUT}				50		Ω				

Case Style	SM3030-6 3 x 3 mm Nominal Footprint
Lid Symbolization (Y=year, WW=week, S=Shift)	459, <u>YWWS</u>

Electrical Connections

Connection	Terminals
Input	2
Output	5
Ground	All others



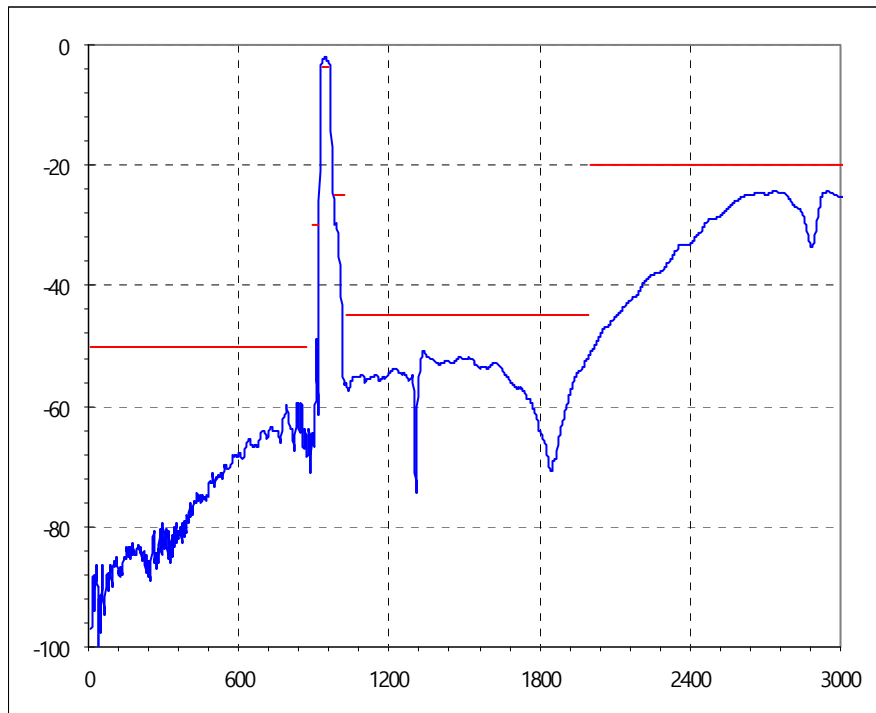
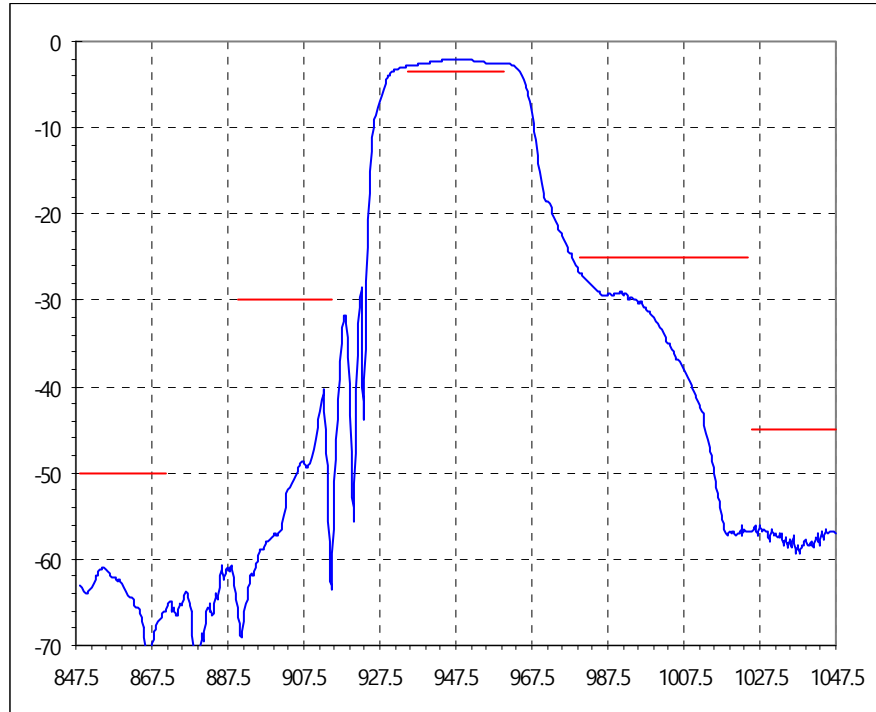
CAUTION: Electrostatic Sensitive Device. Observe precautions for handling.

NOTES:

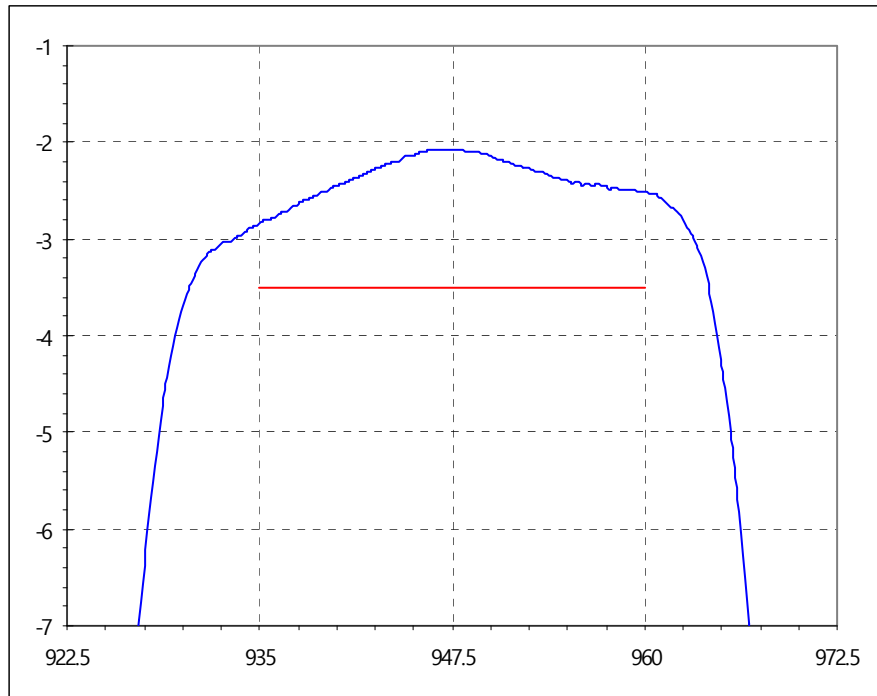
1. The design, manufacturing process, and specifications of this device are subject to change.
2. US or International patents may apply.
3. RoHS compliant from the first date of manufacture.

FREQUENCY CHARACTERISTICS:

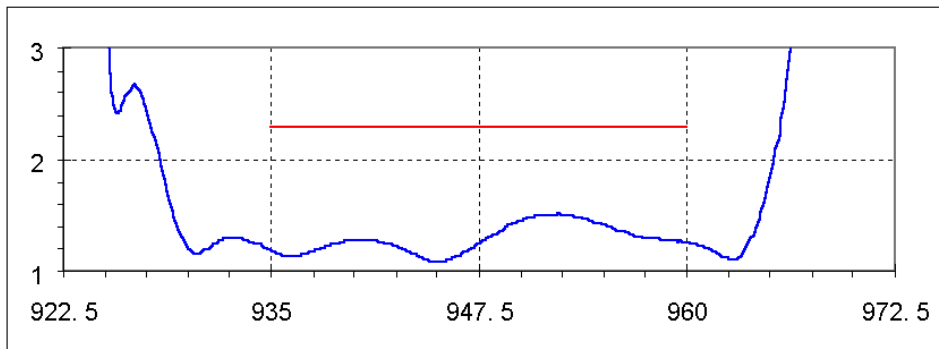
1. wideband response:



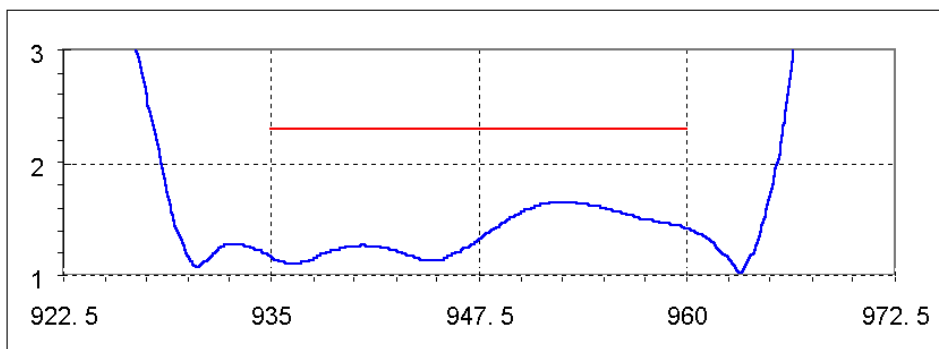
1. passband response:



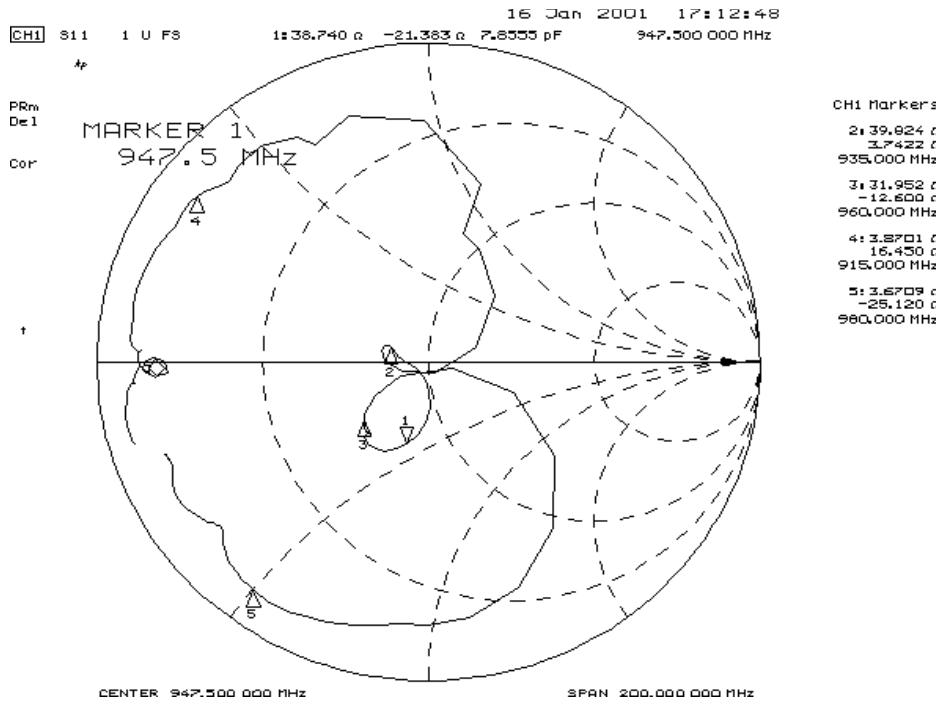
2. VSRW:



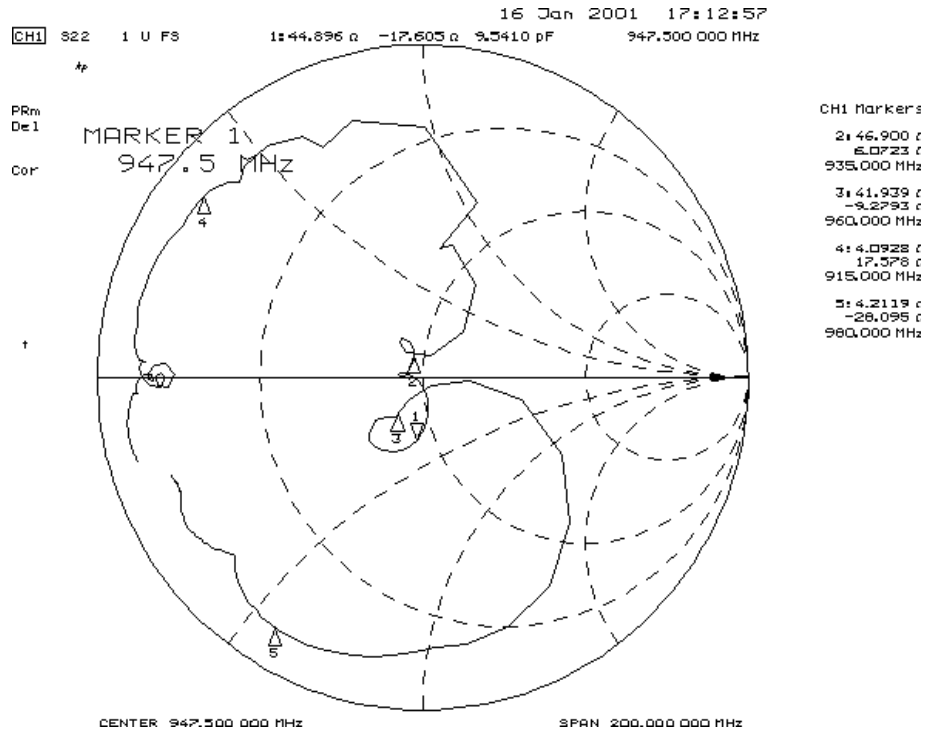
S22



3. Smith chart of S11:

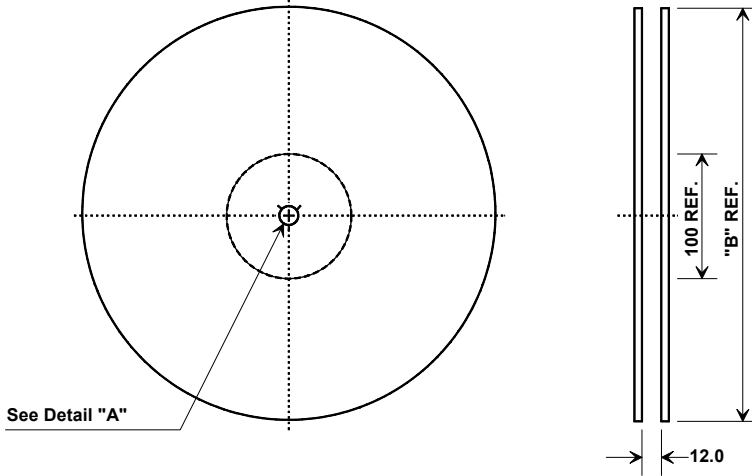


4. Smith chart of S22:

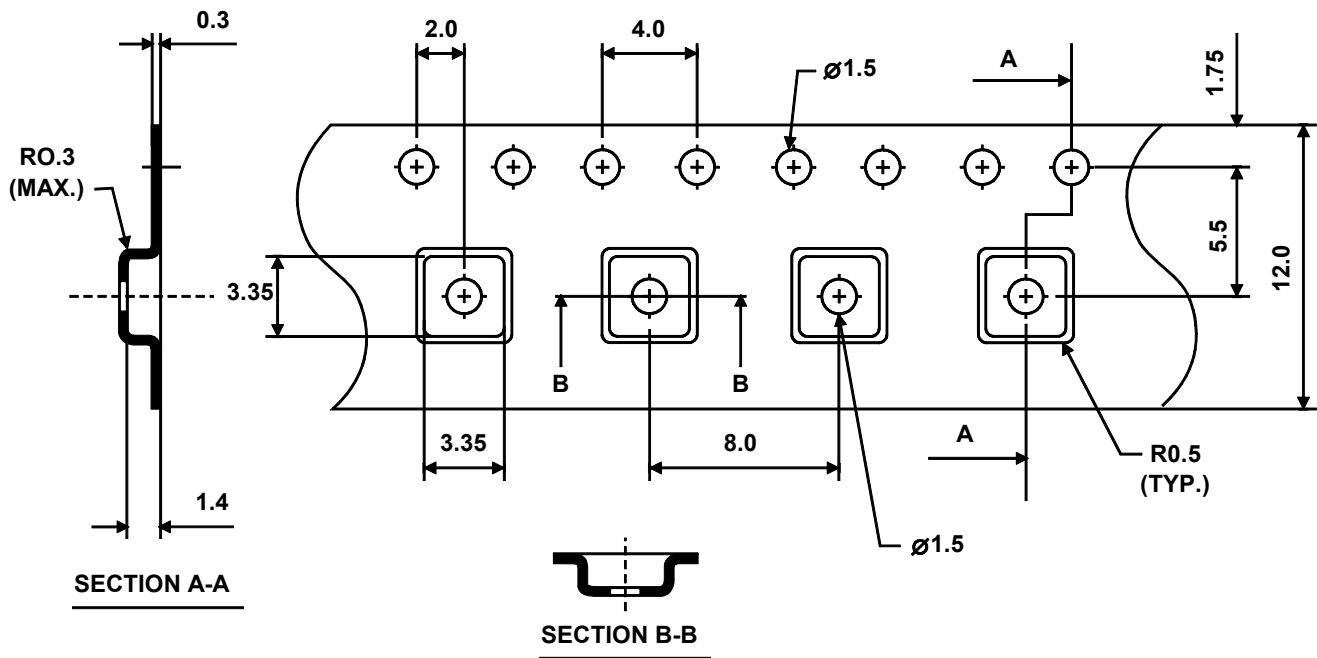
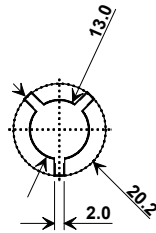


Tape and Reel Specifications

Tape and Reel Standard per ANSI/EIA-481

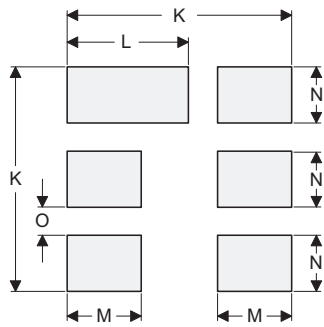
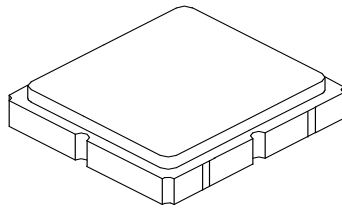


"B" Nominal Size		Quantity Per Reel
Inches	millimeters	
7	178	500
13	330	3000



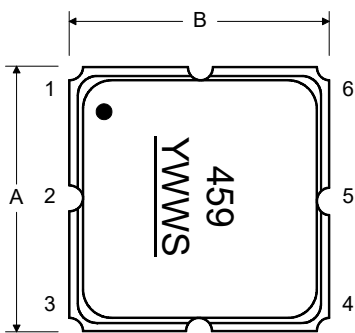
SM3030-6 Case

6-Terminal Ceramic Surface-Mount Case 3.0 X 3.0 mm Nominal Footprint

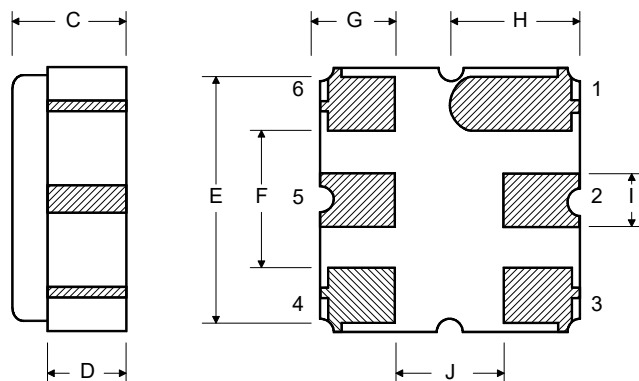


PCB FOOTPRINT

TOP VIEW



BOTTOM VIEW



Case and PCB Footprint Dimensions

Dimension	mm			Inches		
	Min	Nom	Max	Min	Nom	Max
A	2.87	3.00	3.13	0.113	0.118	0.123
B	2.87	3.00	3.13	0.113	0.118	0.123
C	1.12	1.25	1.38	0.044	0.049	0.054
D	0.77	0.90	1.03	0.030	0.035	0.040
E	2.67	2.80	2.93	0.105	0.110	0.115
F	1.47	1.60	1.73	0.058	0.063	0.068
G	0.72	0.85	0.98	0.028	0.033	0.038
H	1.37	1.50	1.63	0.054	0.059	0.064
I	0.47	0.60	0.73	0.019	0.024	0.029
J	1.17	1.30	1.43	0.046	0.051	0.056
K		3.20			0.126	
L		1.70			0.067	
M		1.05			0.041	
N		0.81			0.032	
O		0.38			0.015	

Case Materials

Solder Pad Plating	0.3 to 1.0 μm Gold over 1.27 to 8.89 μm Nickel
Lid Plating	2.0 to 3.0 μm Nickel
Body	Al_2O_3 Ceramic

Recommended Reflow Profile

1. Preheating shall be fixed at 150~180°C for 60~90 seconds.
2. Ascending time to preheating temperature 150°C shall be 30 seconds min.
3. Heating shall be fixed at 220°C for 50~80 seconds and at 260°C+0/-5°C peak (10 seconds).
4. Time: 5 times maximum.

