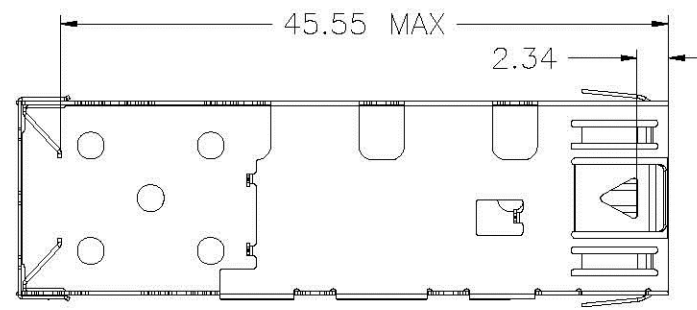
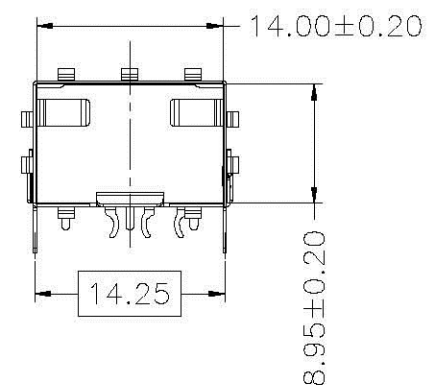
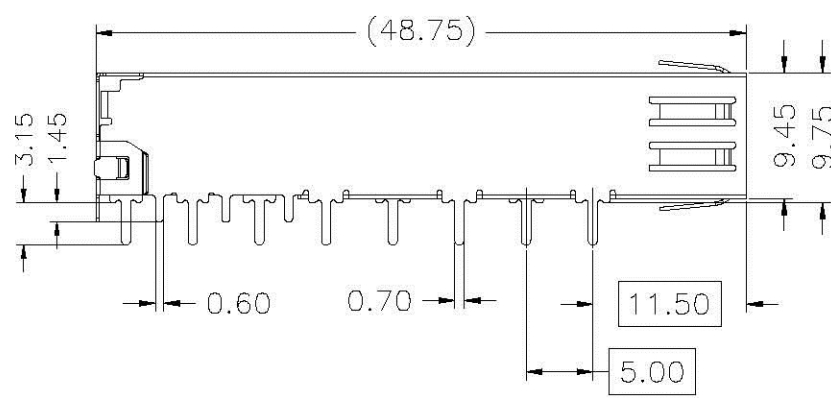
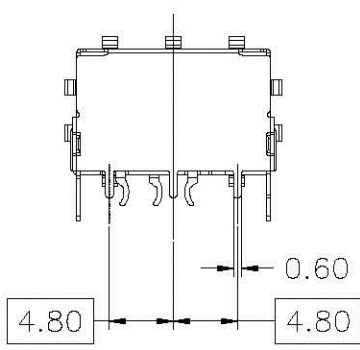
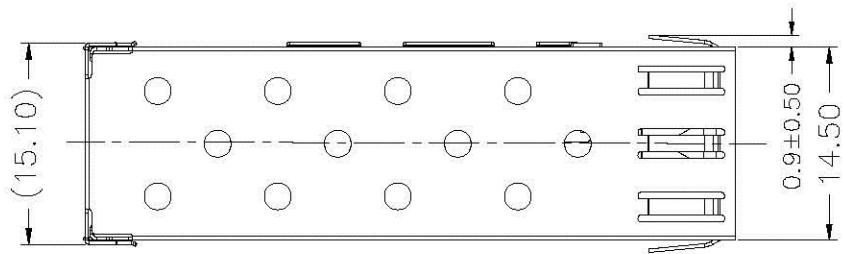


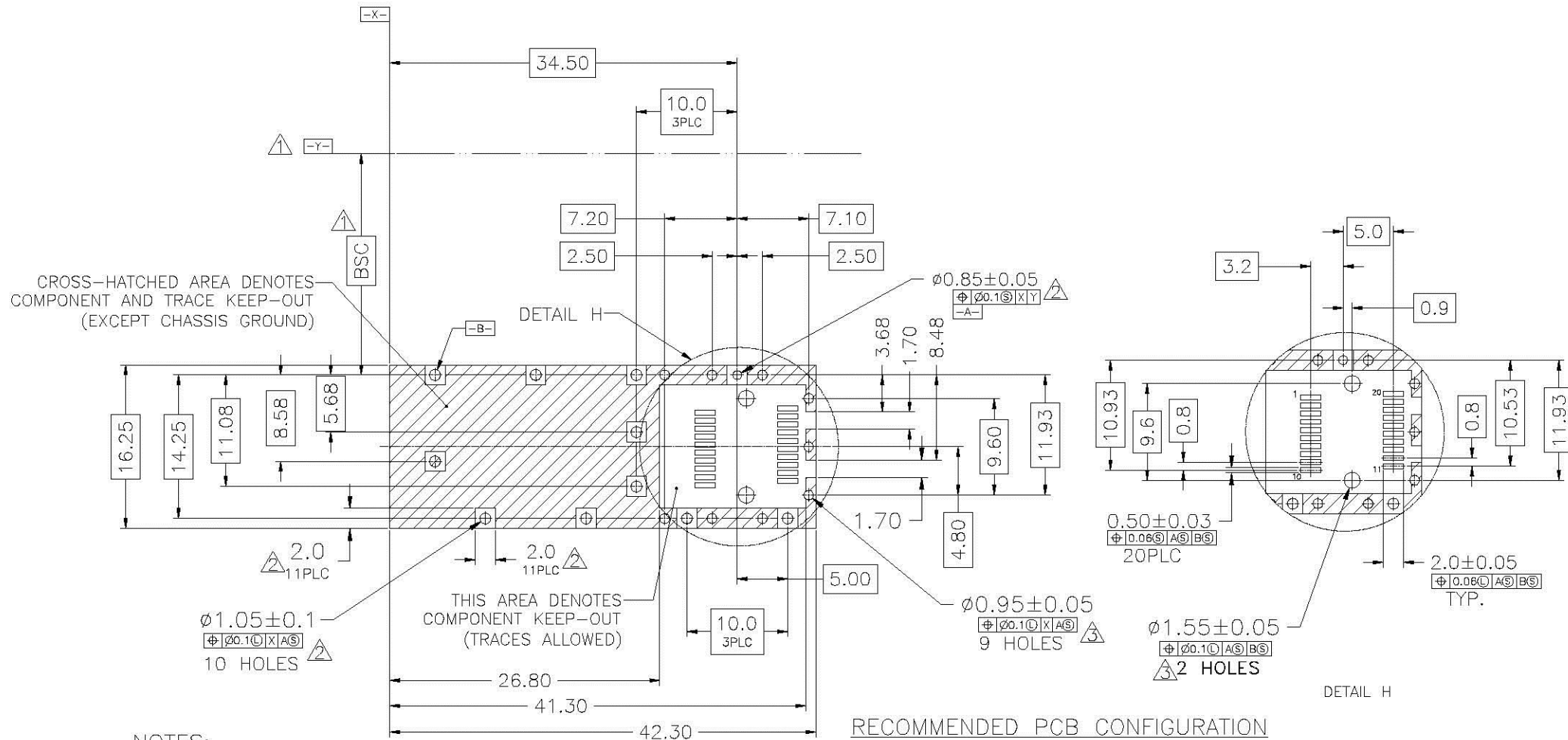
REV	DESCRIPTION OF CHANGE	REVIEWED BY	ISSUE DATE
A	FIRST ISSUE	Nealson	2021-08-01



NOTES:

- 1.MATERIAL: COPPER ALLOY, NI-PLATED
- 2.PACKAGING: TRAY PACKAGING
- 3.TEMPERATURE RANGE: -55°C TO +85°C

TITLE			SFP 1x1光纤笼子DIP		 深圳市连欣科技有限公司 Shenzhen City Lianxin Technology Co., Ltd				
PART NO.			XDSFP-020-RTS19		GENERAL TOLERANCE			UNIT:MM	SIZE: A4
APPROVE	CHECK	DRAW			.X±0.20	.X±1'	SCALE: 1:1	SHEET:1/3	REV:A
Nealson	Kevin	Kevin			.XX±0.15	.XX±5'			
					.XXX±0.10				



CROSS-HATCHED AREA DENOTES COMPONENT AND TRACE KEEP-OUT (EXCEPT CHASSIS GROUND)

$\phi 1.05 \pm 0.1$
 $\phi \varnothing 0.10 | X | A(S)$
 10 HOLES

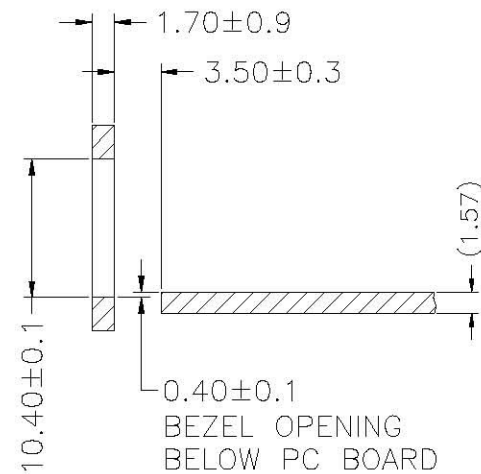
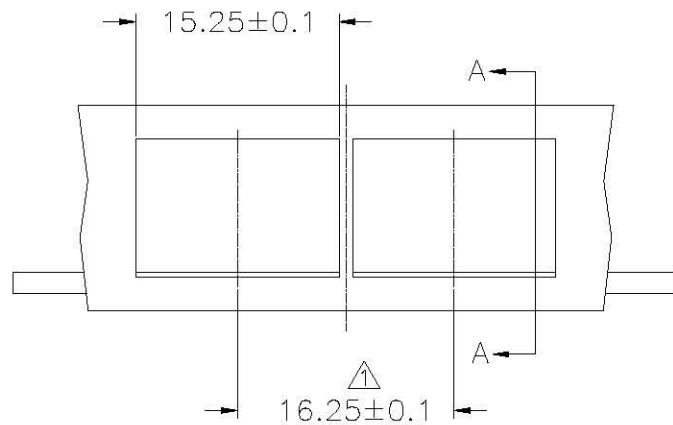
THIS AREA DENOTES COMPONENT KEEP-OUT (TRACES ALLOWED)

RECOMMENDED PCB CONFIGURATION

NOTES:

- 1. DATUM AND BASIC DIMENSIONS ESTABLISHED BY CUSTOMER
- 2. PADS AND VIAS ARE CHASSIS GROUND, 11 PLACES
- 3. THRU HOLES, PLATING OPTIONAL

TITLE			SFP 1x1光纤笼子DIP		 深圳市连欣科技有限公司 Shenzhen City Lianxin Technology Co., Ltd			
PART NO.			XDSFP-020-RTS19		GENERAL TOLERANCE		UNIT:MM	SIZE: A4
APPROVE	CHECK	DRAW	.X±0.20	.X±1'	SCALE: 1:1	SHEET:2/3	REV:A	
Nealson	Kevin	Kevin	.XX±0.15	.XX±5'				
			.XXX±0.10					



SECTION A-A

RECOMMENDED BEZEL DESIGN

NOTES:
 ▲ MINIMUM PITCH ILLUSTRATED, ENGLISH DIMENSIONS ARE FOR REFERENCE ONLY

TITLE			SFP 1x1光纤笼子DIP		 深圳市连欣科技有限公司 Shenzhen City Lianxin Technology Co., Ltd			
PART NO.			XDSFP-020-RTS19		GENERAL TOLERANCE		UNIT:MM	SIZE: A4
APPROVE	CHECK	DRAW			.X±0.20	.X±1°	SCALE: 1:1	SHEET:3/3
Nealson	Kevin	Kevin			.XX±0.15	.XX±5°		
					.XXX±0.10			