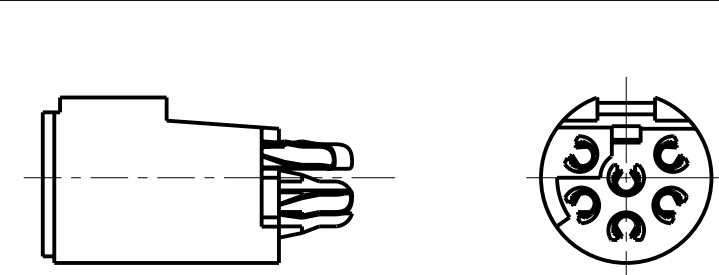
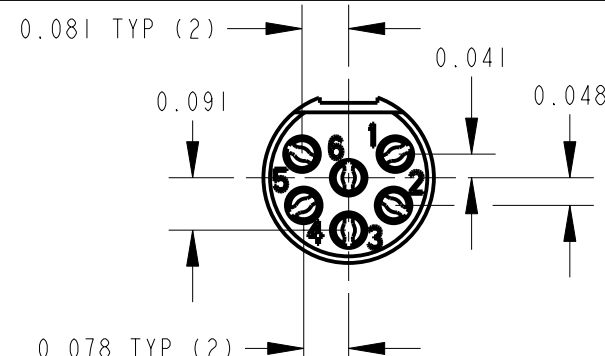
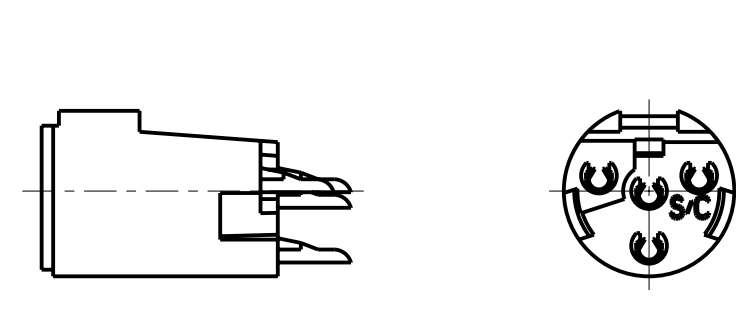
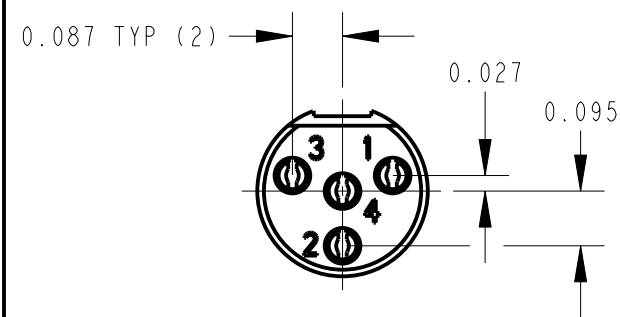


TQG3F

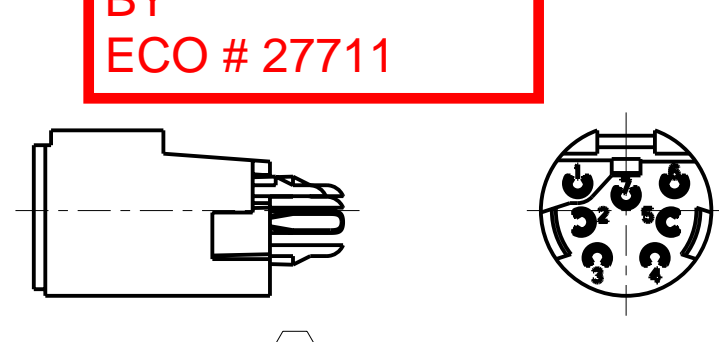
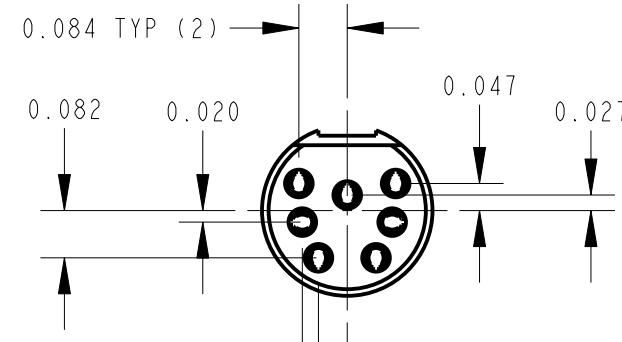


TQG6F

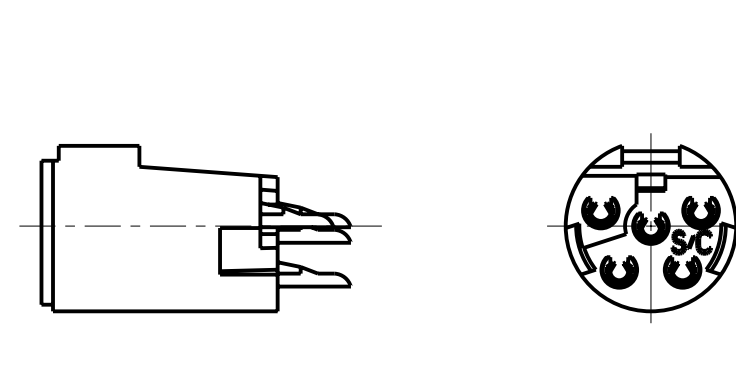
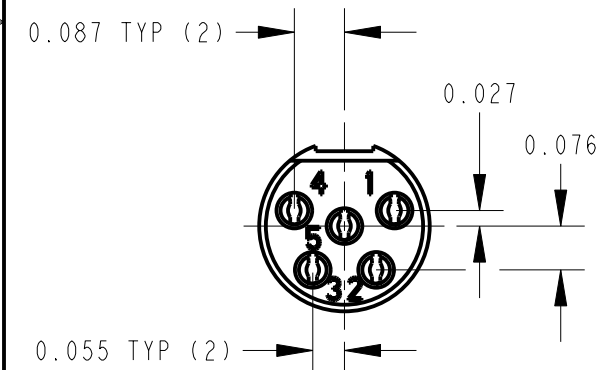
SUPERSEDED  
BY  
ECO # 27711



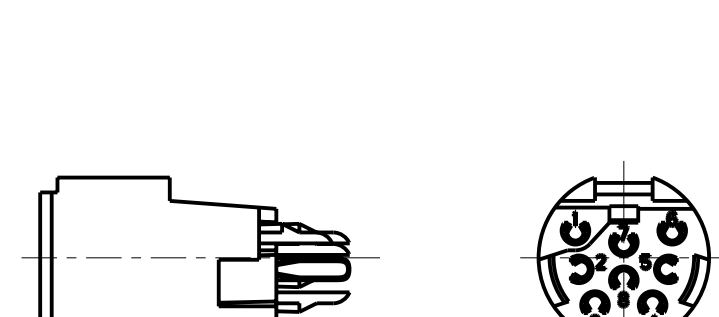
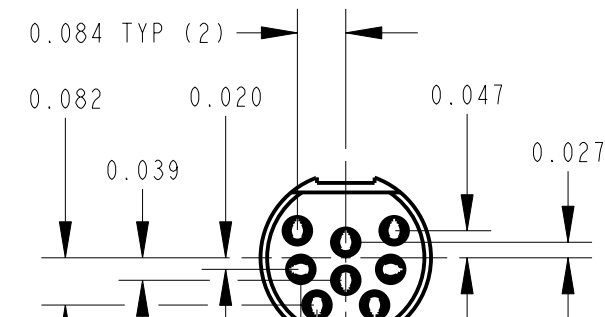
TQG4F



TQG7F



TQG5F



TQG8F

CUSTOMER DRAWING

NOTES:

1. ALL DIMENSIONS ARE FOR REFERENCE.
2. MATERIALS:  
CONTACTS - COPPER ALLOY, SILVER PLATED  
ADD "AU" SUFFIX FOR GOLD PLATED CONTACTS  
INSERT - THERMOPLASTIC, BLACK
3. THESE PRODUCTS ARE RoHS COMPLIANT.

REV	ECO NUMBER	DATE	BY	APVD
C	ECO #25511	1-9-06	TJK	TJK
B	ECO #19704	3-24-95	RC	GHJ
A	CAD REDRAW ECO #19163	8-8-94	WJS	GHJ

REVISIONS

★ STAR SYMBOL DENOTES CRITICAL DIMENSION

UNLESS OTHERWISE SPECIFIED

1. ALL DIMENSIONS IN INCHES  
- TWO PLACE DECIMALS ±0.01  
- THREE PLACE DECIMALS ±0.005  
- ANGLES ±1°  
- ALL DIA. CONCENTRIC WITHIN 0.005 T.I.R.
2. FEATURES ON THE SAME CENTERLINE MUST BE ALIGNED WITHIN ±0.002
3. REMOVE ALL BURRS

DO NOT SCALE DRAWING

THIS DRAWING DESCRIBES A DESIGN CONSIDERED PROPRIETARY IN NATURE, DEVELOPED AND MANUFACTURED BY SWITCHCRAFT INC. AND IS RELEASED ON A CONFIDENTIAL BASIS FOR IDENTIFICATION PURPOSES ONLY.				
SIZE	WIDTH	MULT	LBS/M	TEMPER
FINISH		MATERIAL		
SPEC No.		SPEC No.		
FIRST USED ON		SCALE		
		3:1		
DATE DRAWN	BY	CHKD	APVD	
8-Aug-94	WJS	WJS 9-8-94	GHJ 9-8-94	
NAME			PART No.	REV
FEMALE TINI-0G INSERT, RoHS			TQG_F SERIES	C

