

6

5

4

3

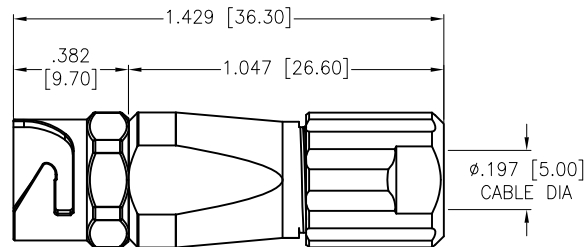
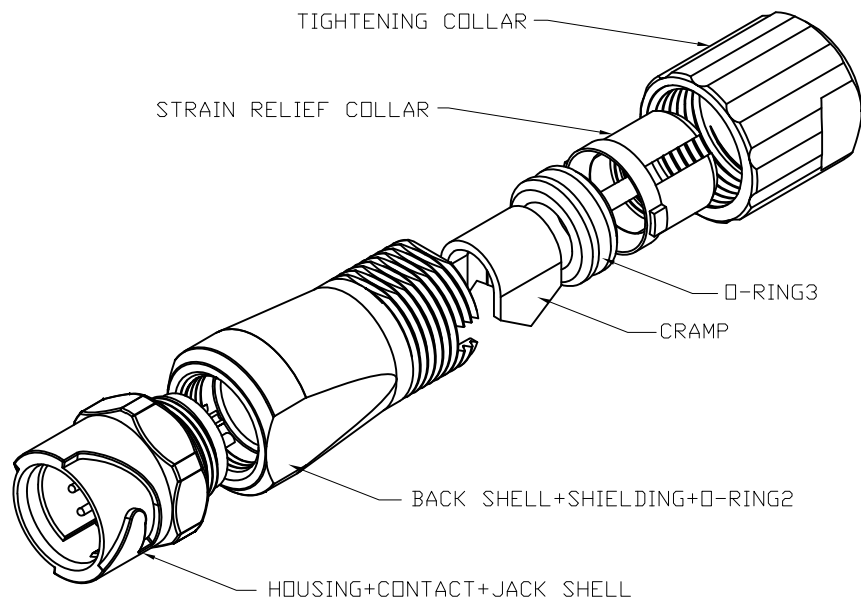
2

1

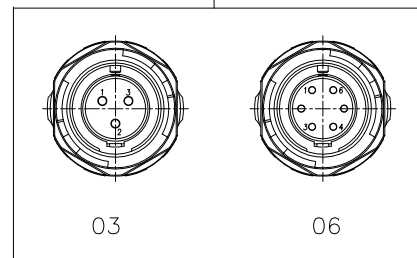
APPROVED: _____

DATE: _____ TITLE: _____

Rev	AWO #	Description	Date	Appr
-		RELEASED	11/23/18	



SD-MMNXX-MMBBL-SX0-000
7=IP67



SPECIFICATIONS:

Material:

- Housing: PPS, rated UL 94V-0, Color: Black
- Contacts: Phosphor Bronze, Gold Flash plated
- Jack Shell: Zinc Alloy, Nickel plated
- Back shell: Zinc Alloy, Nickel plated
- Shielding: Phosphor Bronze, Nickel plated
- O-ring 2: EDPM
- Clamp: Brass, Nickel plated
- O-ring 3: NBR, Color: Black
- Strain relief collar: Nylon 66, rated UL 94V-0, Color: White
- Tightening collar: PPS, Color: Brown
- Environmental:
Lead free, RoHS compliant



UNLESS OTHERWISE SPECIFIED ALL DIMENSIONS ARE INCHES [MM] TOLERANCES: EXCEPT AS NOTED		ADAM TECH		909 Rahway Avenue, Union, NJ 07083	
INCHES HOLES		INTERCONNECTS		Phone: 908-687-5000 Fax: 908-687-5710	
.X	± .10	Ø.X	± .10	TITLE WATERPROOF CONNECTOR, MALE DIN, ASSEMBLY, LOCK TYPE, SOLDER	
.XX	± .020	Ø.XX	± .015		
.XXX	± .015	Ø.XXX	± .010	SIZE X	PART NO. SD-MMNXX-MMBBL-SX0-000
APPROVALS		DATE		REV. -	
DRAWN	HR	11/23/18		REF: S00200T	SCALE: NTS
CHECKED	AC	11/23/18		SHEET 1 OF 1	
APPROVED					

6

5

4

3

2

1