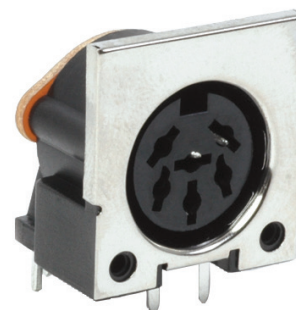
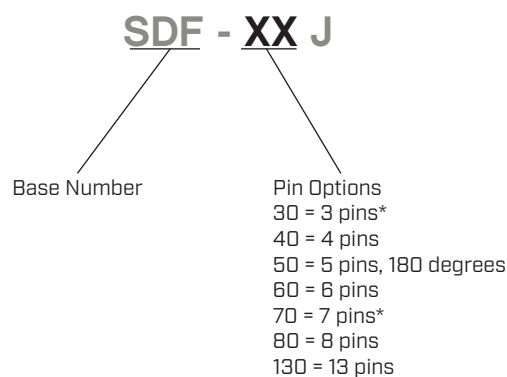


**SERIES:** SDF-J | **DESCRIPTION:** STANDARD DIN CONNECTOR**FEATURES**

- PCB mount
- front shielded
- right angle

**PART NUMBER KEY**

\* Discontinued models SDF-30J &amp; SDF-70J.

**SPECIFICATIONS**

| parameter             | conditions/description  | min | typ       | max    | units      |
|-----------------------|-------------------------|-----|-----------|--------|------------|
| rated input voltage   |                         |     | 100<br>24 |        | Vac<br>Vdc |
| rated input current   | at 100 Vac<br>at 24 Vdc |     |           | 2<br>1 | A<br>A     |
| contact resistance    |                         |     |           | 20     | mΩ         |
| insulation resistance | at 500 Vdc              | 100 |           |        | MΩ         |
| voltage withstand     | for 1 minute            |     |           | 500    | Vac        |
| insertion force       |                         |     |           | 6.5    | kg         |
| withdrawal force      |                         | 1   |           | 5.0    | kg         |
| operating temperature |                         | -40 |           | 85     | °C         |
| life                  |                         |     | 1,000     |        | cycles     |
| flammability rating   | UL94V-0                 |     |           |        |            |
| RoHS                  | yes                     |     |           |        |            |

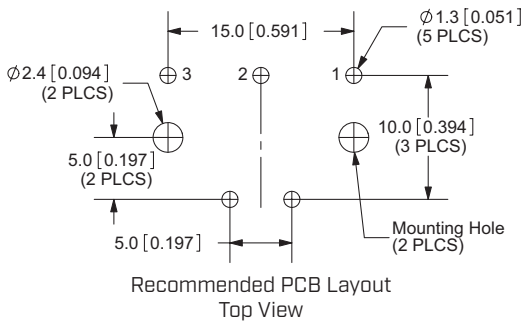
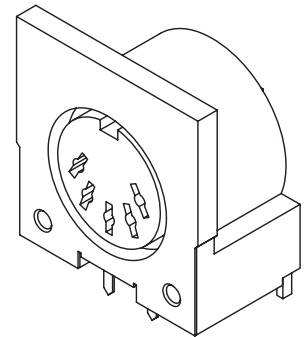
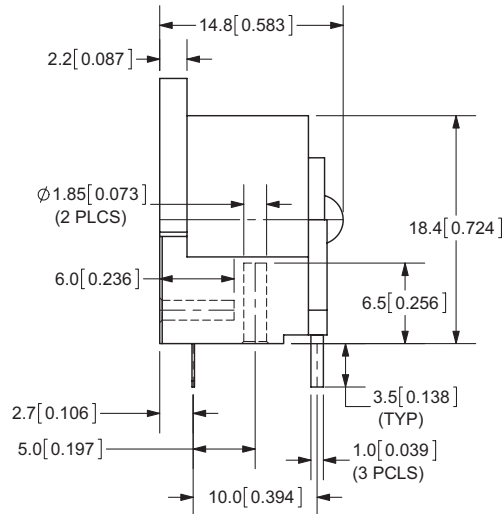
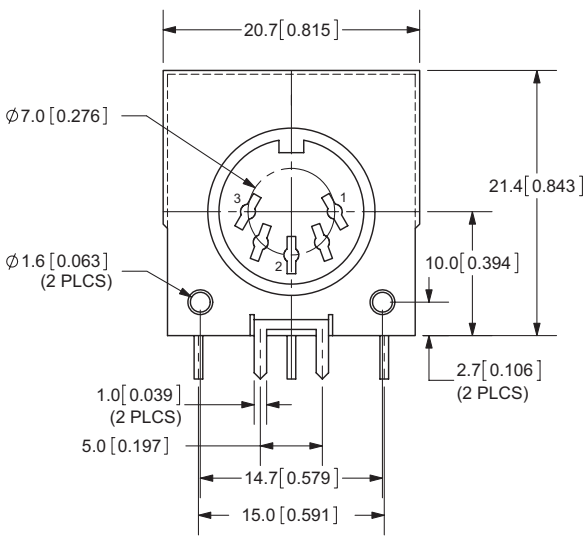
**SOLDERABILITY**

| parameter      | conditions/description | min | typ | max | units |
|----------------|------------------------|-----|-----|-----|-------|
| wave soldering | for 10 seconds max     |     |     | 260 | °C    |
| hand soldering | for 5±1 seconds        | 240 | 245 | 250 | °C    |

## MECHANICAL DRAWING (SDF-30J)

units: mm  
tolerance: ±0.3 mm

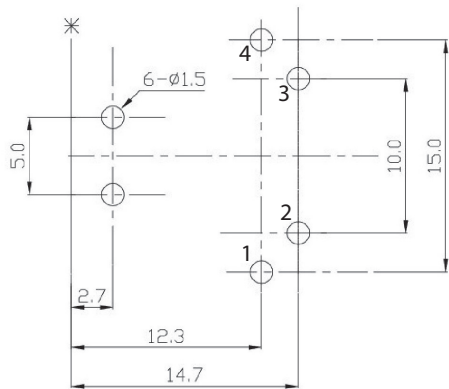
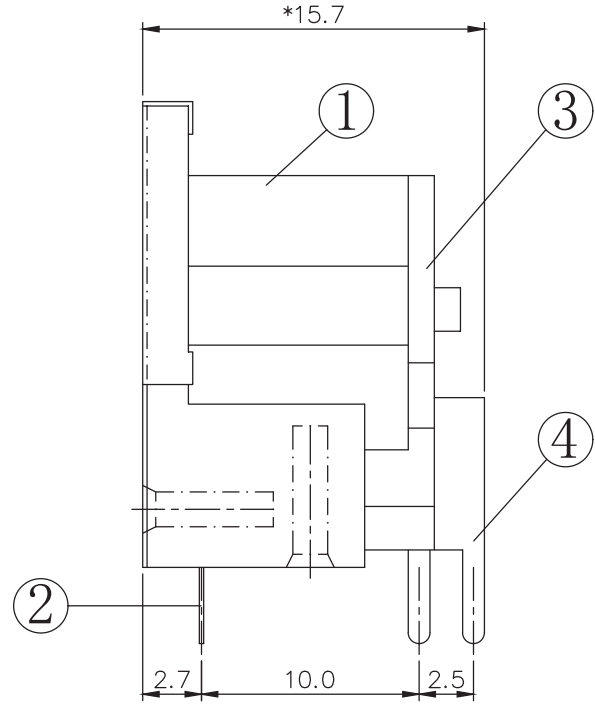
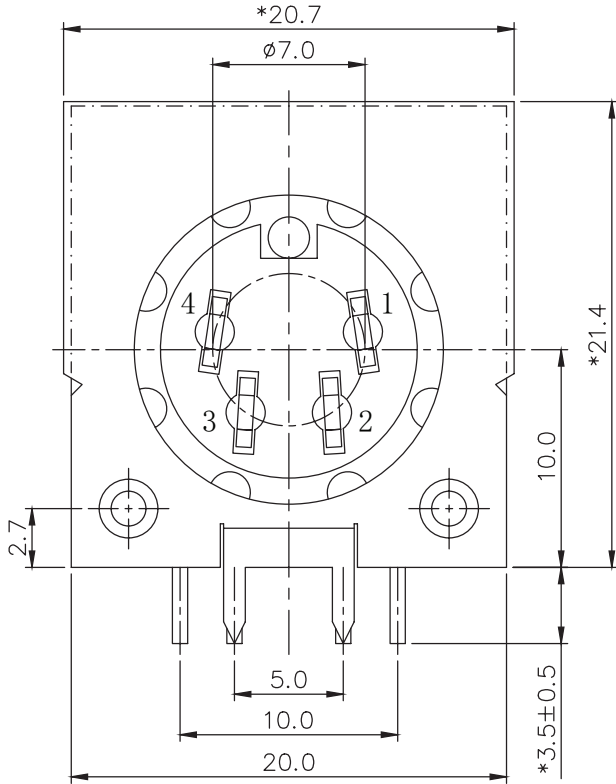
| ITEM | DESCRIPTION       | MATERIAL      | PLATING/COLOR |
|------|-------------------|---------------|---------------|
| 1    | body              | PBT [UL94V-0] | black         |
| 2    | shielded terminal | brass         | nickel        |
| 3    | plate             | bakelite      |               |
| 4    | terminals         | brass         | tin           |



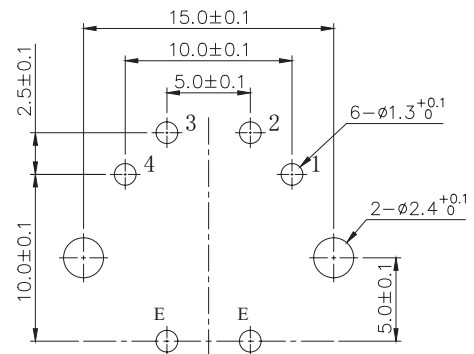
## MECHANICAL DRAWING (SDF-40J)

units: mm  
 tolerance:  $\pm 0.3$  mm  
 unless otherwise noted

| ITEM | DESCRIPTION     | MATERIAL      | PLATING/COLOR |
|------|-----------------|---------------|---------------|
| 1    | body            | PBT [UL94V-0] | black         |
| 2    | shield terminal | brass         | nickel        |
| 3    | plate           | bakelite      |               |
| 4    | contact         | brass         | tin           |



Recommended PCB Layout  
 Top View  
 [Date Codes prior to 03/03/2022]



Recommended PCB Layout  
 Top View  
 [Date Codes after 03/03/2022]

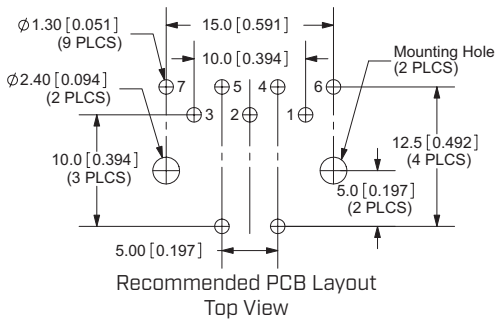
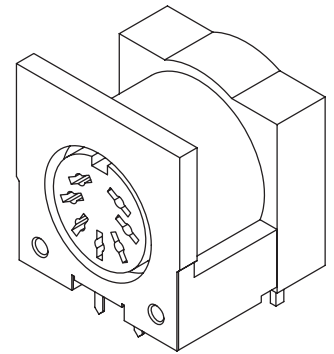
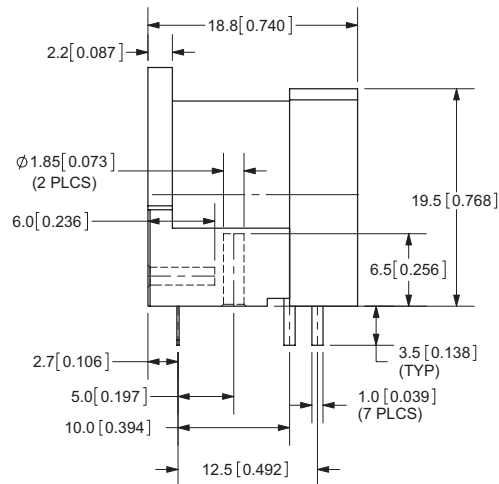
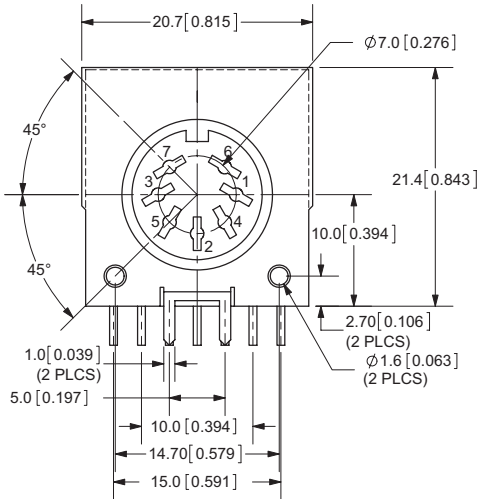




## MECHANICAL DRAWING (SDF-70J)

units: mm  
tolerance: ±0.2mm

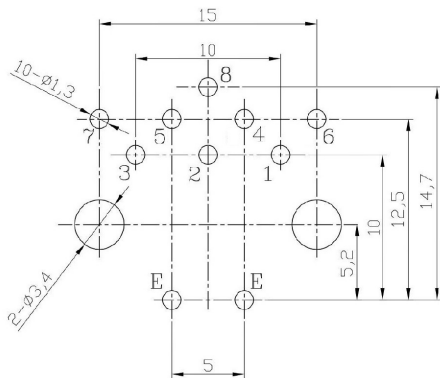
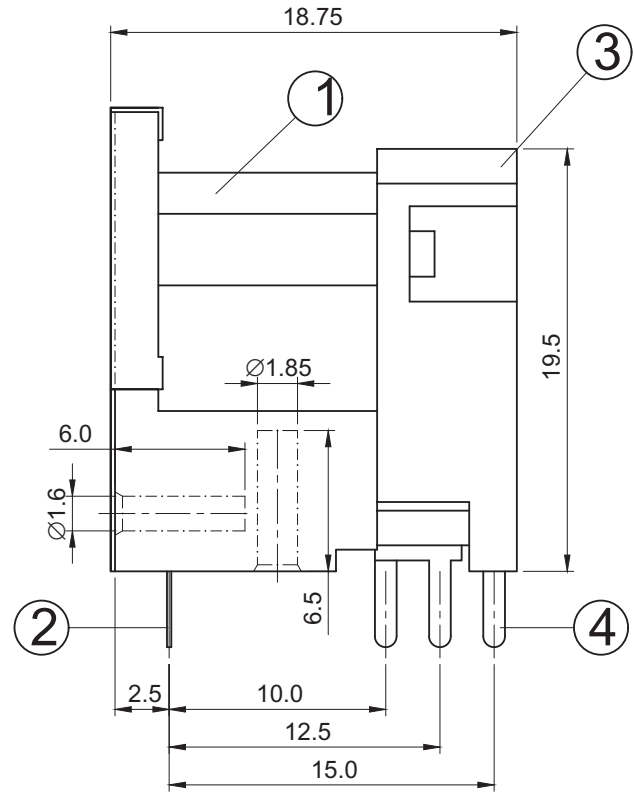
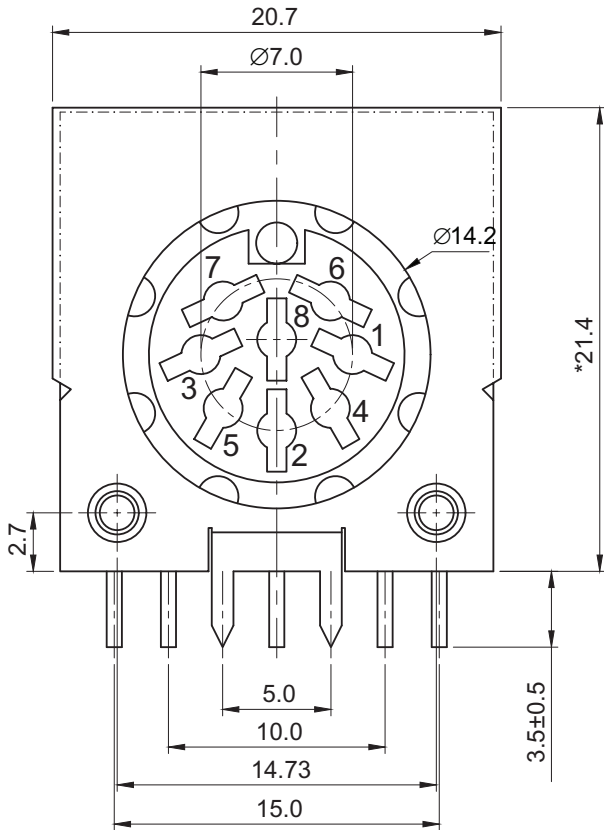
|                   | MATERIAL | PLATING |
|-------------------|----------|---------|
| housing           | PBT      | black   |
| shielded terminal | brass    | nickel  |
| terminal          | brass    | tin     |



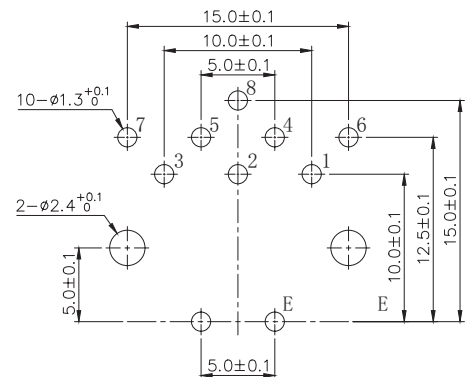
## MECHANICAL DRAWING (SDF-80J)

units: mm  
 tolerance:  $\pm 0.3$  mm  
 unless otherwise noted

| ITEM | DESCRIPTION     | MATERIAL      | PLATING/COLOR |
|------|-----------------|---------------|---------------|
| 1    | body            | PBT (UL94V-0) | black         |
| 2    | shield terminal | brass         | nickel        |
| 3    | cover           | PBT (UL94V-0) | black         |
| 4    | contact         | brass         | tin           |



Recommended PCB Layout  
 Top View  
 [Date Codes prior to 03/03/2022]

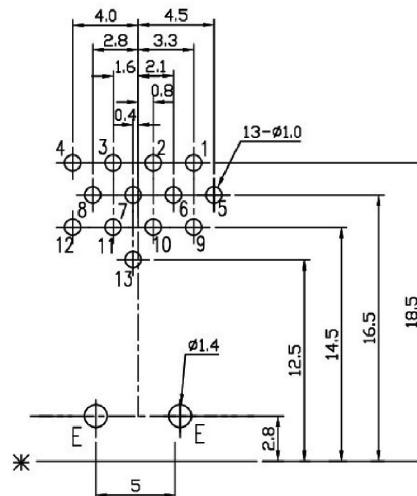
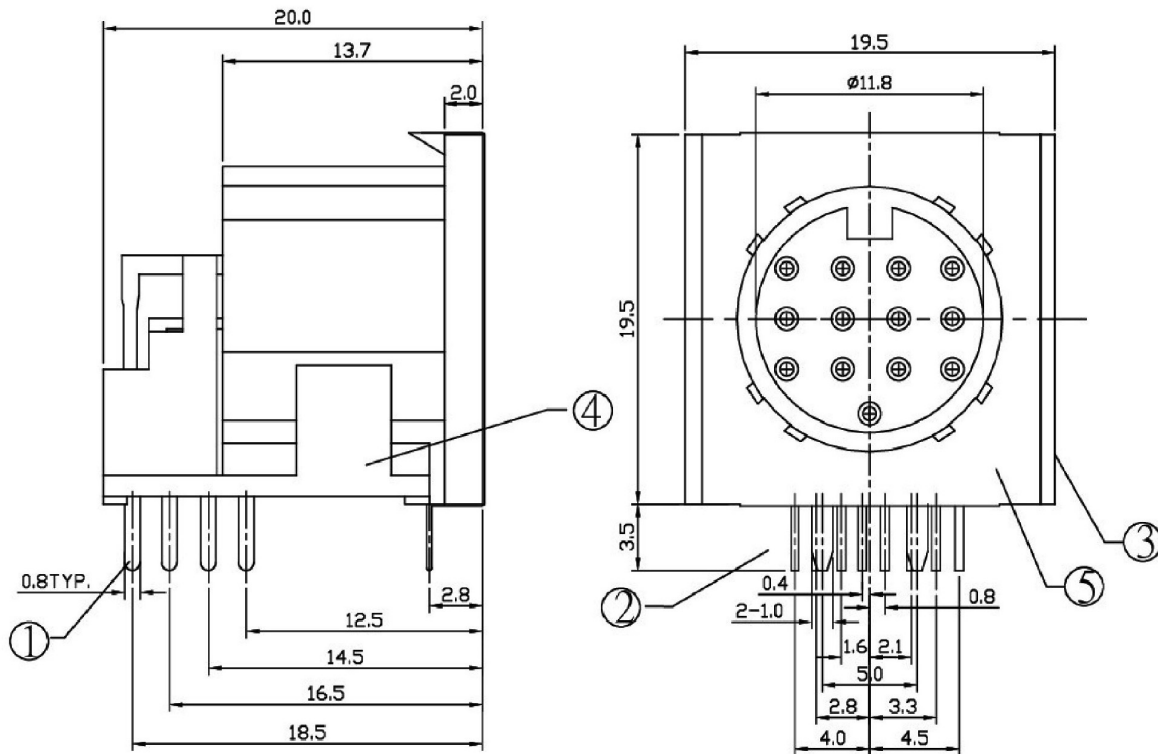


Recommended PCB Layout  
 Top View  
 [Date Codes after 03/03/2022]

## MECHANICAL DRAWING (SDF-130J)

units: mm  
 tolerance: ±0.30 mm  
 PCB: ±0.05 mm

|   |                | MATERIAL            | PLATING    |
|---|----------------|---------------------|------------|
| 1 | terminal       | phosphor bronze     | silver     |
| 2 | ground contact | phosphor bronze     | silver     |
| 3 | housing        | PBT 4815<br>UL94V-0 | black      |
| 4 | cover          | PBT 4815<br>UL94V-0 | black      |
| 5 | sealed plate   | copper alloy        | copper/tin |



Recommended PCB Layout  
 Top View



## REVISION HISTORY

| rev. | description  | date       |
|------|--|------------|
| 1.0  | initial release  | 02/23/2006 |
| 1.01 | new template applied   | 04/02/2012 |
| 1.02 | updated housings   | 04/05/2012 |
| 1.03 | corrected SDF-50J and SDF-51J pinouts  | 07/15/2014 |
| 1.04 | updated datasheet  | 09/08/2017 |
| 1.05 | updated datasheet  | 07/24/2018 |
| 1.06 | discontinued model SDF-30J   | 10/08/2019 |
| 1.07 | discontinued model SDF-70J   | 02/17/2020 |
| 1.08 | changed housing  | 04/13/2020 |
| 1.09 | modified design and changed factory for SDF-40J, SDF-50J, SDF-60J, & SDF-80J | 02/21/2022 |
| 1.10 | logo, datasheet style update   | 08/05/2022 |

The revision history provided is for informational purposes only and is believed to be accurate.



CUI Devices offers a one (1) year limited warranty. Complete warranty information is listed on our website.

CUI Devices reserves the right to make changes to the product at any time without notice. Information provided by CUI Devices is believed to be accurate and reliable. However, no responsibility is assumed by CUI Devices for its use, nor for any infringements of patents or other rights of third parties which may result from its use.

CUI Devices products are not authorized or warranted for use as critical components in equipment that requires an extremely high level of reliability. A critical component is any component of a life support device or system whose failure to perform can be reasonably expected to cause the failure of the life support device or system, or to affect its safety or effectiveness.

[cuidevices.com](http://cuidevices.com)