



0-400 MHz / 1710-2140 MHz Cavity Diplexer



ANATECH ELECTRONICS INC
RF & Microwave Filters & Products

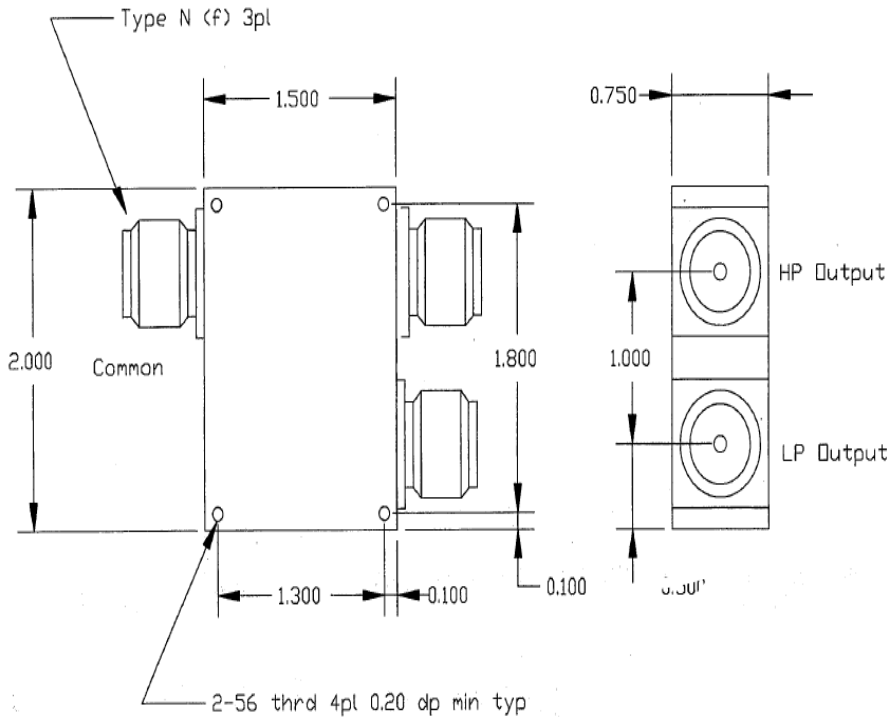
Part Number: AE200-1925DB5301

<u>Characteristics</u>	<u>Band 1</u>	<u>Band 2</u>
Passband:	0-400 MHz	1710-2140 MHz
Bandwidth:	400 MHz	430 MHz
Passband Insertion Loss:	≤ 0.3dB	≤ 0.3dB
Passband Return Loss:	≥ 14dB	≥ 14dB
Isolation:	>50dB	>50dB

<u>Mechanical</u>	
Connector Type:	N-type(F)
Dimensions:	1.5x 2.0 x 0.75 inches.

<u>Environmental</u>	
Operating Temperature:	-40 to +70 deg.C
Storage Temperature:	-50 to +85 deg.C

Outline Drawing:





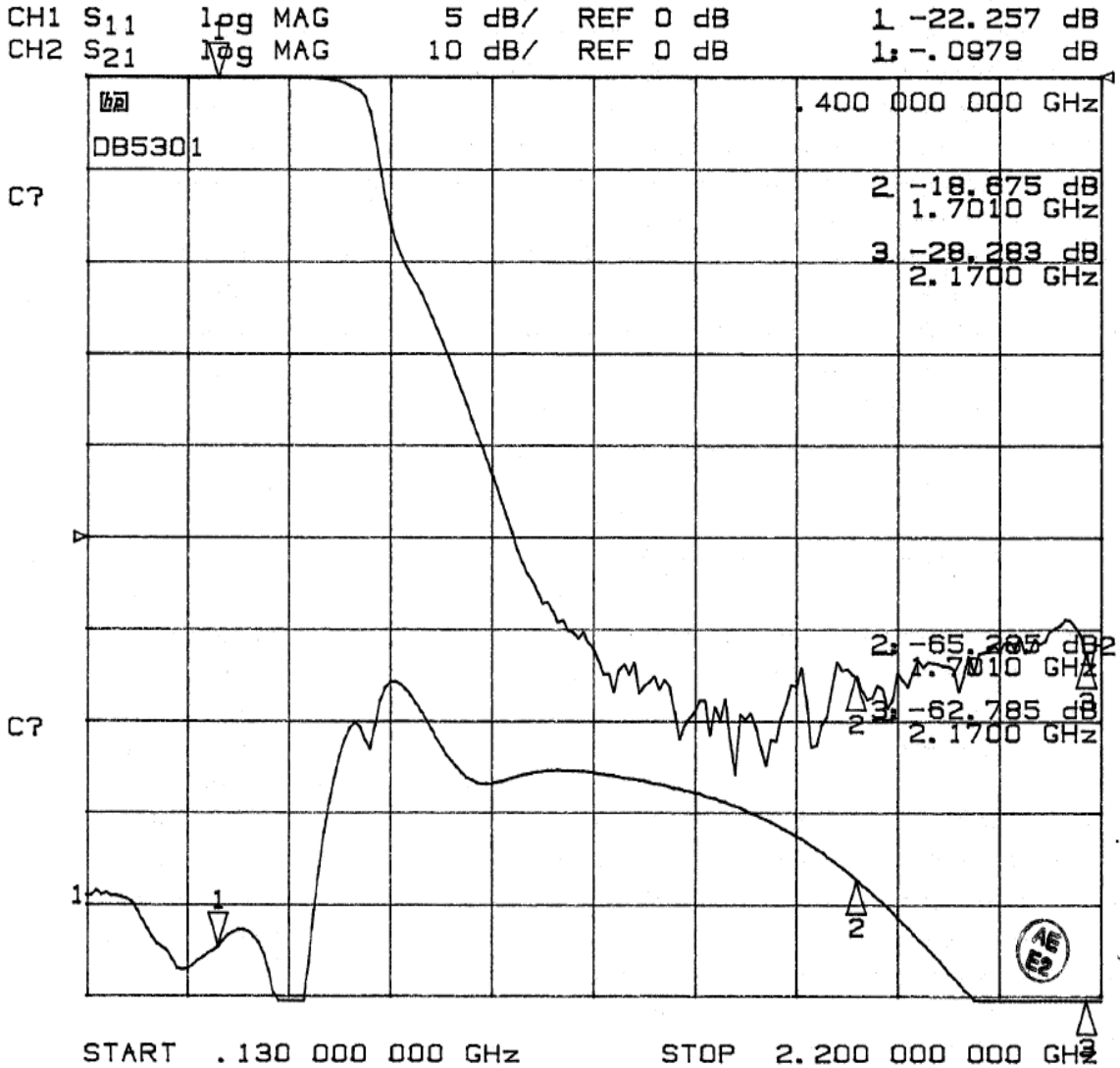
ANATECH ELECTRONICS INC
RF & Microwave Filters & Products

**0-400 MHz / 1710-2140 MHz
Cavity Diplexer**

Part Number: AE200-1925DB5301



Response Plot-1:





ANATECH ELECTRONICS INC
RF & Microwave Filters & Products

**0-400 MHz / 1710-2140 MHz
Cavity Diplexer
Part Number: AE200-1925DB5301**



Response Plot-2:

