

TABLE OF CONTENTS

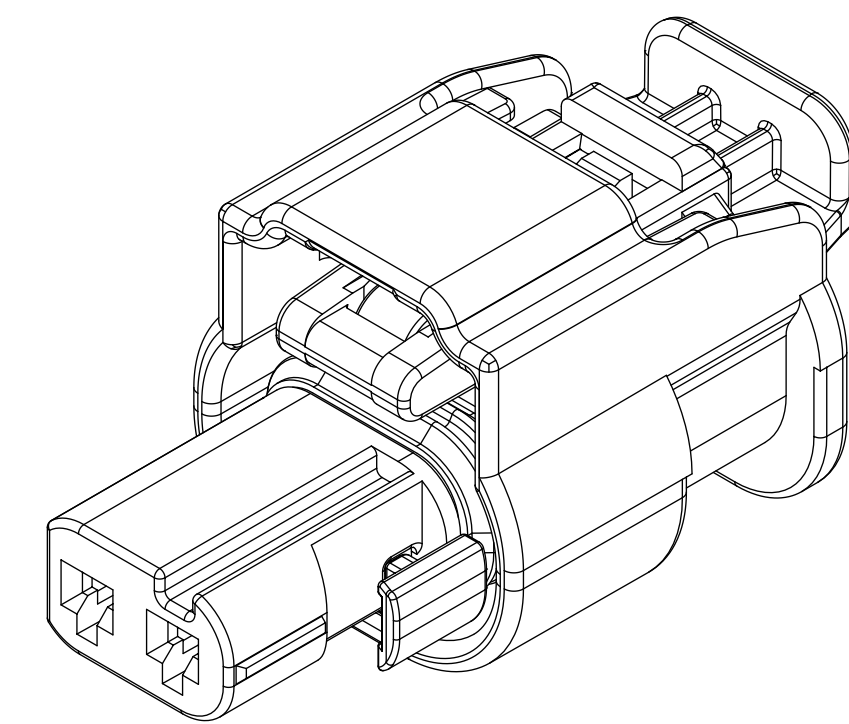
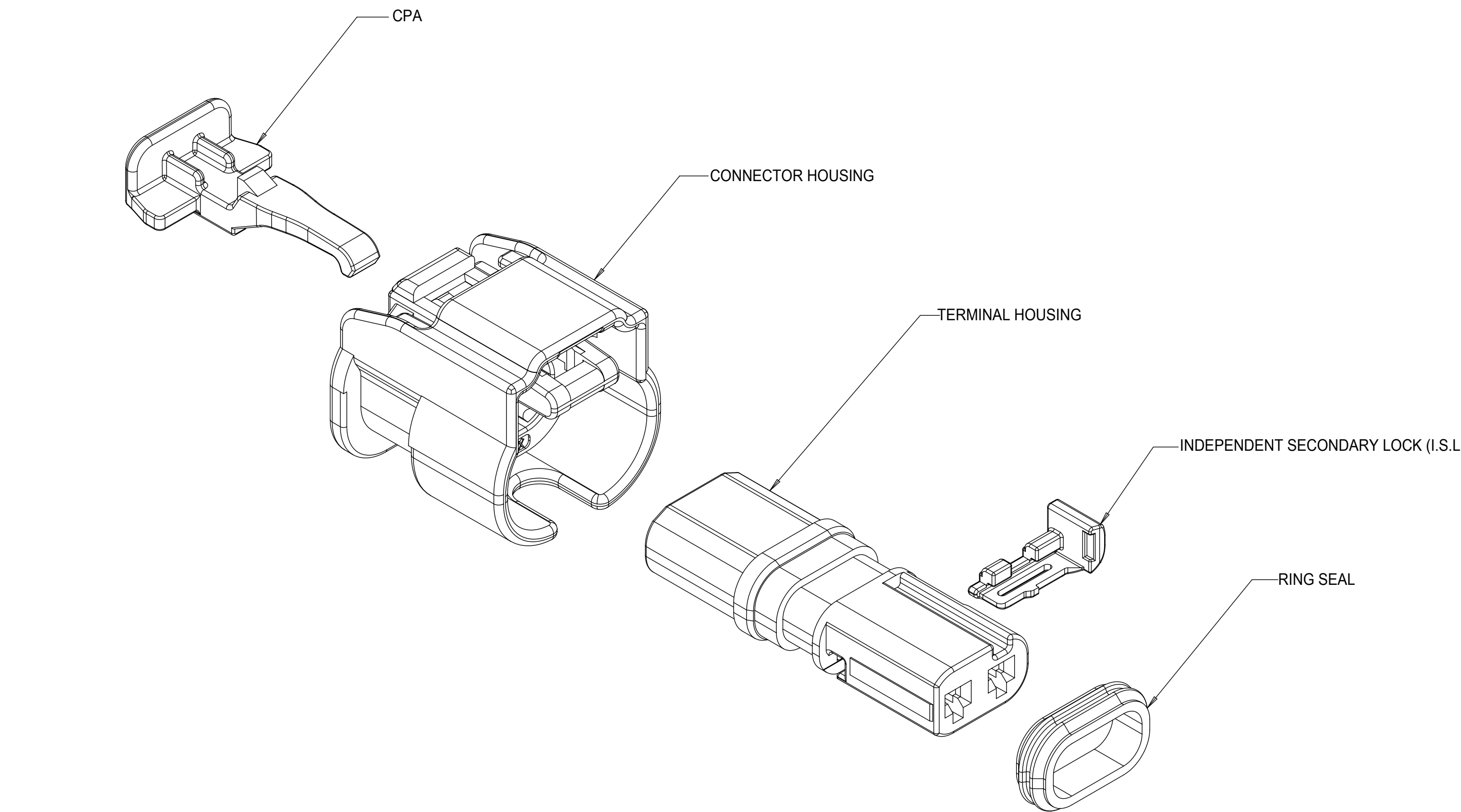
SHEET NO.	SHEET DESCRIPTION
1	NOTES
2	1x2 RECEPTACLE SEALED ASSEMBLY KEYING CONFIGURATIONS
3	1x3 RECEPTACLE SEALED ASSEMBLY KEYING CONFIGURATIONS
4	RECEPTACLE SEALED ASSEMBLY
5	1x2 RECEPTACLE SEALED ASSEMBLY BOM SHEET 1
6	1x3 RECEPTACLE SEALED ASSEMBLY BOM SHEET 1
7	OBSOLETE PART NUMBERS

NOTES: VALID UNLESS OTHERWISE SPECIFIED

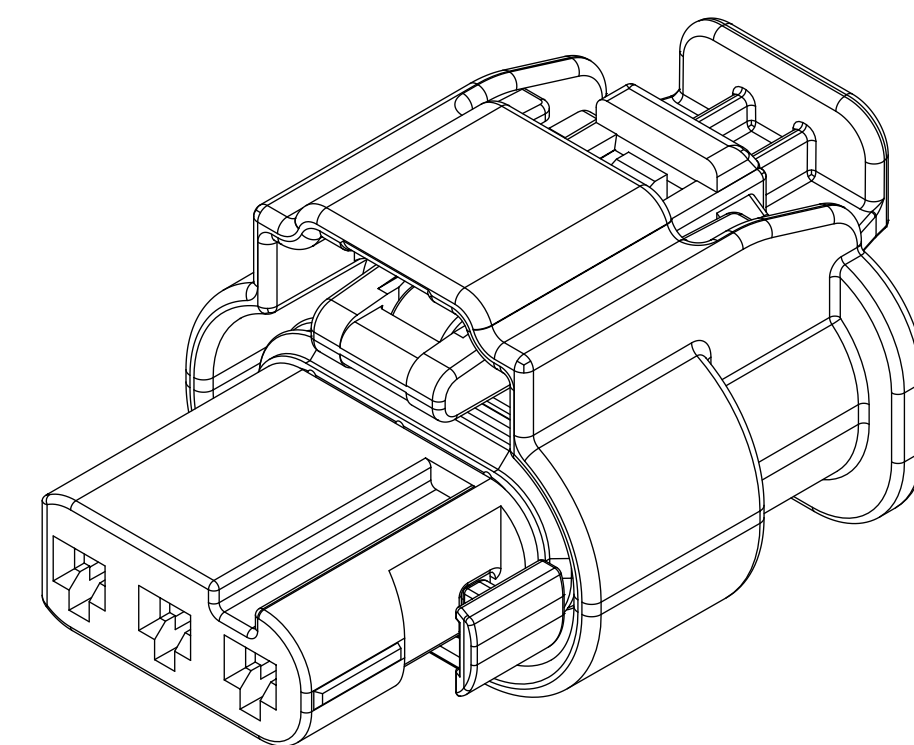
1. GENERAL:
  - a. APPLICATION SPECIFICATION SEE: AS-34900-0001  
CONTAINS: PRODUCT INTRODUCTION, PRODUCT SUMMARY, CONNECTOR ASSEMBLY, PACKAGING INFORMATION, CONNECTOR MATING, SERVICE INSTRUCTIONS, ELECTRICAL CONTINUITY CHECKING, CRIMPING, AND TROUBLESHOOTING.
  - b. PRODUCT SPECIFICATION SEE: PS-34900-0001  
CONTAINS: PRODUCT INTRODUCTION, PRODUCT SUMMARY, RATINGS (CURRENT, TEMPERATURE, SEALING, AND FLAMMABILITY), AND PRODUCT VALIDATION.
  - c. PACKAGING SPECIFICATION PER MOLEX DRAWING: PK-31301-898
  - d. PARTS MUST BE IN COMPLIANCE TO MOLEX CHEMICAL SUBSTANCES FOR PRODUCTS AND PACKAGING SPECIFICATION: ES-40000-5016
  - e. DATA MUST BE SUBMITTED UNDER THE MOLEX PART NUMBER TO IMDS (COMPANY ID#13255)
  - f. DESIGNED TO MATE WITH DEVICE CONNECTION AS SPECIFIED IN BOM CHART  
USCAR DRAWINGS AND MODELS ARE AVAILABLE AT <http://ewcap.uscarteams.org/>.

2. DESIGN - MATERIALS:
  - a. SEE BOM TABLE

3. DESIGN - GEOMETRY:
  - a. THIS IS A 100% CAD GENERATED PART. THE CAD MATHEMATICAL DATA IS THE MASTER FOR THIS PART. FOR DIMENSIONAL OR ANY INFORMATION NOT SHOWN ON THIS DRAWING, ANALYZE THE CAD MODEL.
  - b. GEOMETRIC DIMENSIONS AND TOLERANCES PER ASME Y14.5M - 1994
  - c. EDGES AND UNDIMENSIONED DETAILS PER ISO13715
  - d. CORNERS SHOWN AS SHARP TO BE R 0.2 MAX.
  - e. LETTERING SHALL BE 0.15 MAX RAISED IN 0.25 MAX RECESS PAD.  
THIS INCLUDES RECYCLING CODE, CAVITY ID, VENDOR IDENTIFICATION, AND CUSTOMER MATERIAL NUMBER.
  - f. VISUAL DEFECTS SHALL MEET COSMETIC STANDARD PS-45499-002 (Class B)
  - g. LASER MARKING:
    1. PART NUMBER
    2. DAY OF THE YEAR
    3. SHIFT
    4. YEAR



1x2 RECEPTACLE SEALED ASSEMBLY

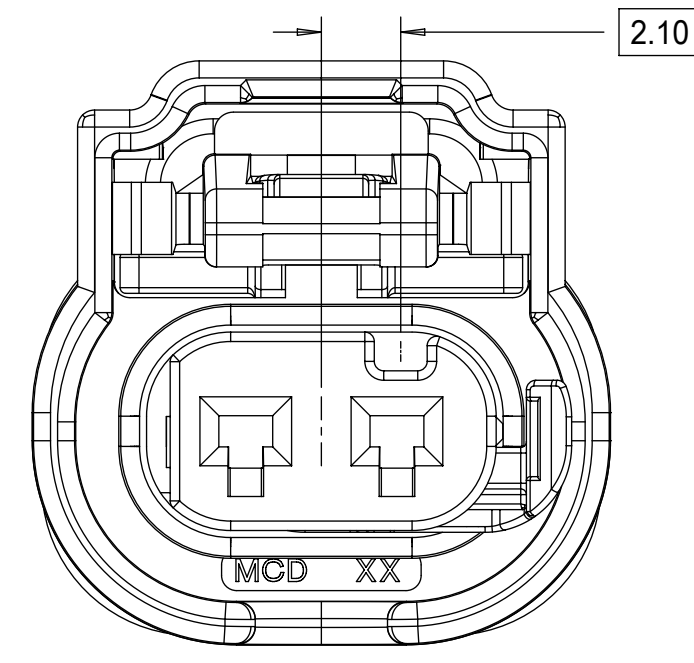


1x3 RECEPTACLE SEALED ASSEMBLY

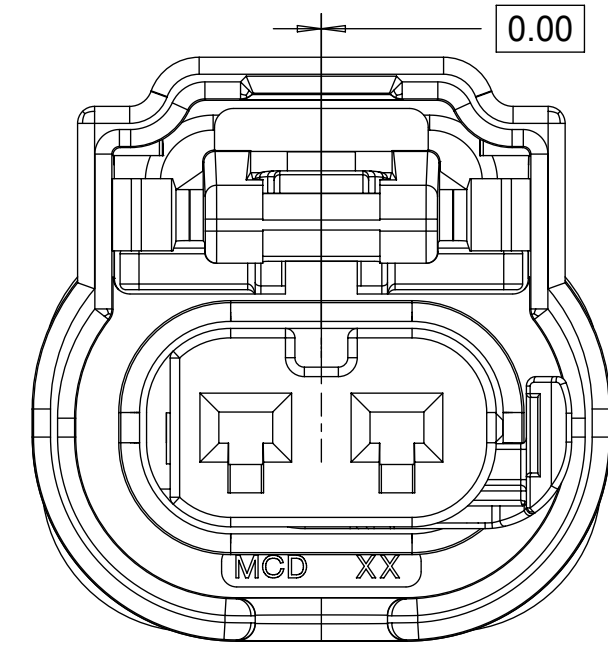
C8	UPDATED INTERFACE MODEL REFERENCES
C7	RETURNED CPA3 TO CPA2
C6	CHANGED 1X2 KEY E STATUS
C5	CHANGED CPA2 TO CPA3
C4	ADDED WIRE DRESS COVERS
C3	ADDED CPA2 PNs
C2	UPDATED STATUS OF PNs
C1	- NX-REMASTERING FROM MODEL MANAGER - 1X2 KEY C MADE SALEABLE
C	34900-3127 RELEASED AS SALEABLE
B	PRIMARY KEYS (A,B) MOVED TO SALEABLE
A10	ADDED 1X3 SEVERE VIBRATION PART NUMBER
A9	1X2 AND 1X3 PART # UPDATED DIMENSION 2 UPDATED
A8	1X2 PART # UPDATED TO "TOOLED BUT NOT VALIDATED"
A7	1X2 PART # UPDATED TO "TOOLED BUT NOT VALIDATED"
A6	ADDED NEW PART NUMBERS FOR LATCH IMPROVEMENT
A5	BOM CORRECTIONS AND UPDATES
A4	BOM CORRECTIONS AND UPDATES
A3	1x2, 1x3 NON-SIR OK TO TOOL
A2	MINOR BOM CORRECTIONS
A1	ADDED COMPONENTS TO BOM
A	ADDED BLACK PART NUMBERS AND MINOR BOM UPDATES
3	ADDED 1x3
2	MINOR BOM CORRECTIONS
1	INITIAL RELEASE
REV	DESCRIPTION

QUALITY SYMBOLS ▽ = 0 ▽ = 0 ▽ = 0 ▽ = 0 ▽ = 0 ▽ = 0 ▽ = 0 ▽ = 0	THIS DRAWING CONTAINS INFORMATION THAT IS PROPRIETARY TO MOLEX ELECTRONIC TECHNOLOGIES, LLC AND SHOULD NOT BE USED WITHOUT WRITTEN PERMISSION			
	EC NO: 645203 DRWN: GELLIOTTO1 CHKD: MVANSLAMBROU REV: APPR: MVANSLAMBROU	2020/09/11 2020/09/15 2020/09/15	GENERAL TOLERANCES (UNLESS SPECIFIED) ANGULAR TOL ± ° 4 PLACES ± 3 PLACES ± 2 PLACES ± 0.1 1 PLACE ± 0.2 0 PLACES ± 0.5 DRAFT WHERE APPLICABLE MUST REMAIN WITHIN DIMENSIONS	DIMENSION UNITS: mm SCALE: 4:1 DRWN BY: MVANSLAMBROU DATE: 2012/02/15 CHKD BY: GGA DATE: 2013/11/06 APPR BY: GGA DATE: 2012/12/13 DRAWING SIZE: D THIRD ANGLE PROJECTION
	molex® 1.2MM 1X2, 1X3 RECPT. SEALED ASSEMBLY CABLE SEAL 621905: ADDED CPA2 PNs, RE-ADDED PNs USING TERMINAL H		PRODUCT CUSTOMER DRAWING SERIES: 34900 MATERIAL NUMBER: SEE TABLE CUSTOMER: GENERAL MARKET	
	RELEASE STATUS: P1 RELEASE DATE: 2020/09/15 14:05:25		DOCUMENT NUMBER: SD-34900-2001 DOC TYPE: PSD DOC PART: 001 SHEET NUMBER: 1 OF 7	

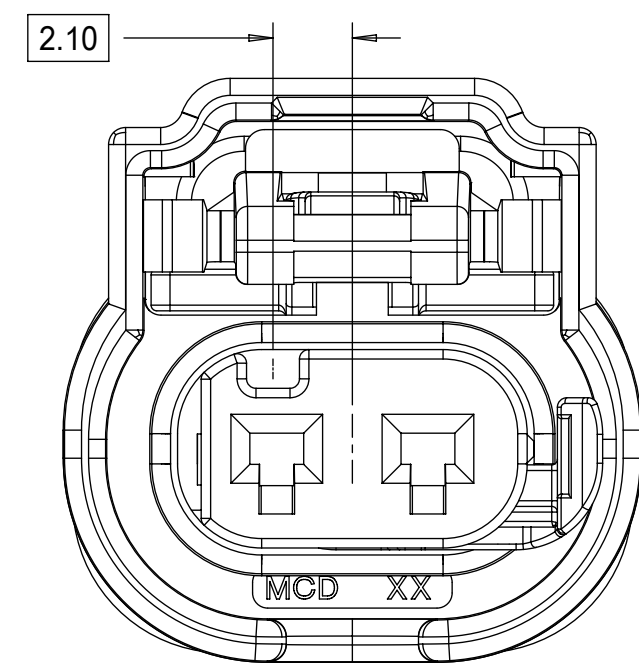
1x2 RECEPTACLE SEALED ASSEMBLY KEYING CONFIGURATIONS. FOR PART NUMBERS REFER TO BOM SHEET.



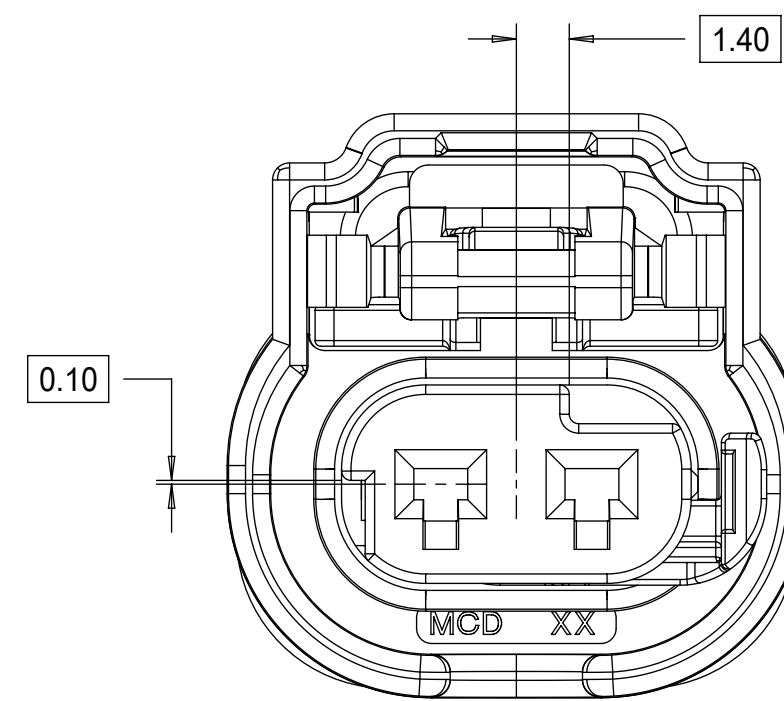
KEYING OPTION A





KEYING OPTION B



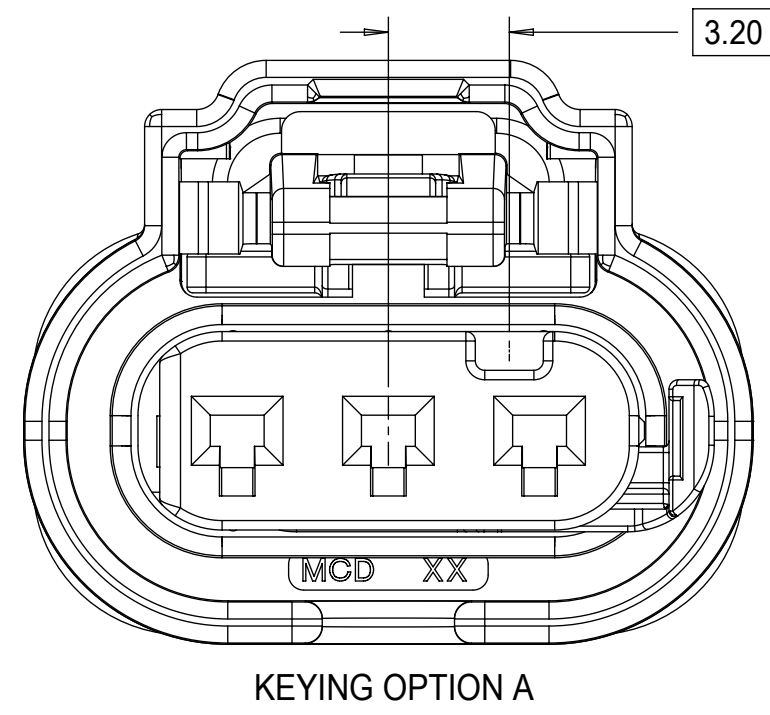
KEYING OPTION C



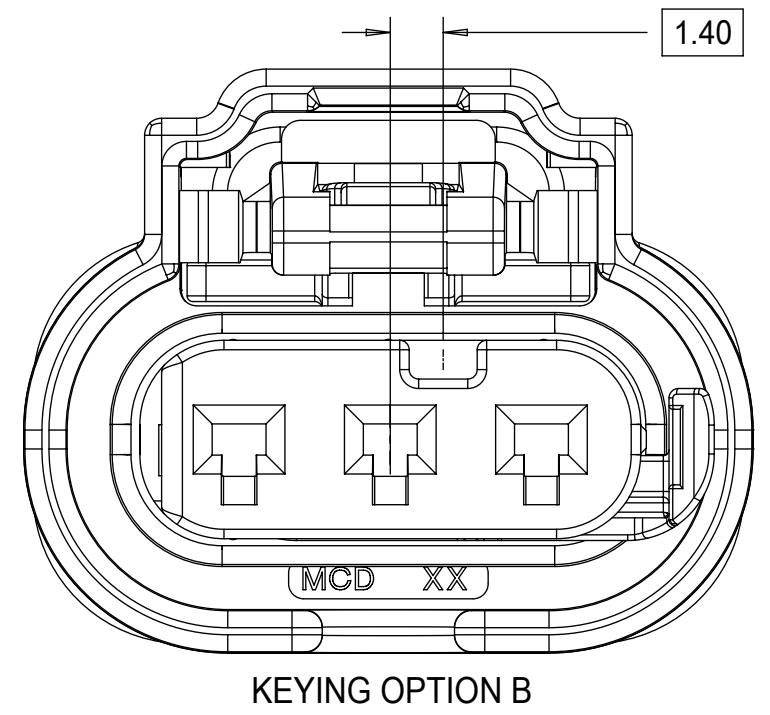
KEYING OPTION E

THIS DRAWING CONTAINS INFORMATION THAT IS PROPRIETARY TO MOLEX ELECTRONIC TECHNOLOGIES, LLC AND SHOULD NOT BE USED WITHOUT WRITTEN PERMISSION										
<b>QUALITY SYMBOLS</b> □ = 0 ▽ = 0 ▽ = 0 ▽ = 0 ▽ = 0 ▽ = 0 ▽ = 0 ▽ = 0 ▽ = 0 ▽ = 0	2020/09/11	GENERAL TOLERANCES (UNLESS SPECIFIED)		DIMENSION UNITS	SCALE	 1.2MM 1X2, 1X3 RECPT. SEALED ASSEMBLY CABLE SEAL 621905: ADDED CPA2 PNS, RE-ADDED PNS USING TERMINAL H				
	DRWN: GELLIOTTO1	2020/09/15	4 PLACES ±	mm	5:1					
	CHKD: MVANSLAMBROU	2020/09/15	3 PLACES ±	ANGULAR TOL ± °	DRWN BY	DATE	PRODUCT CUSTOMER DRAWING SERIES: 34900 MATERIAL NUMBER: SEE BOM CUSTOMER: GENERAL MARKET			
	REV: MVANSLAMBROU	2020/09/15	2 PLACES ± 0.1	°	CHKD BY	DATE				
			1 PLACE ± 0.2		APPR BY	DATE	DOCUMENT NUMBER: SD-34900-2001 DOC TYPE: PSD DOC PART: 001 SHEET NUMBER: 2 OF 7			
			0 PLACES ± 0.5		GGA	2012/12/13				
			DRAFT WHERE APPLICABLE MUST REMAIN WITHIN DIMENSIONS		DRAWING SIZE	THIRD ANGLE PROJECTION				
					D					

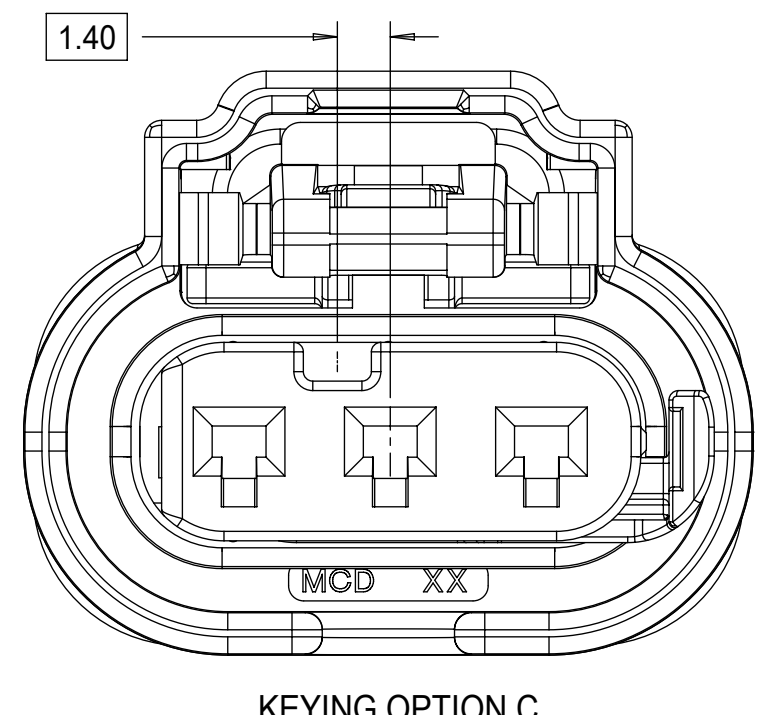
1x3 RECEPTACLE SEALED ASSEMBLY KEYING CONFIGURATIONS. FOR PART NUMBERS REFER TO BOM SHEET.



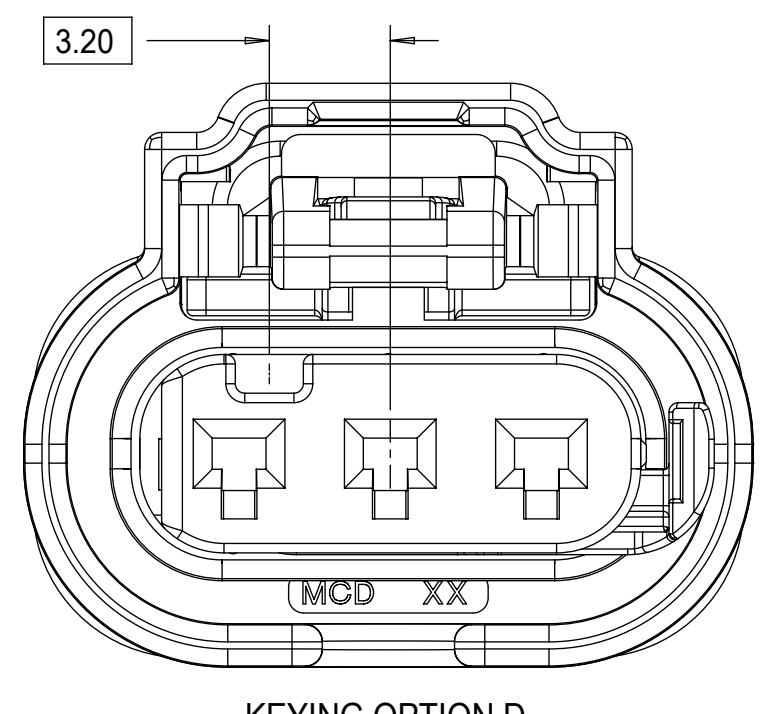
KEYING OPTION A



KEYING OPTION B

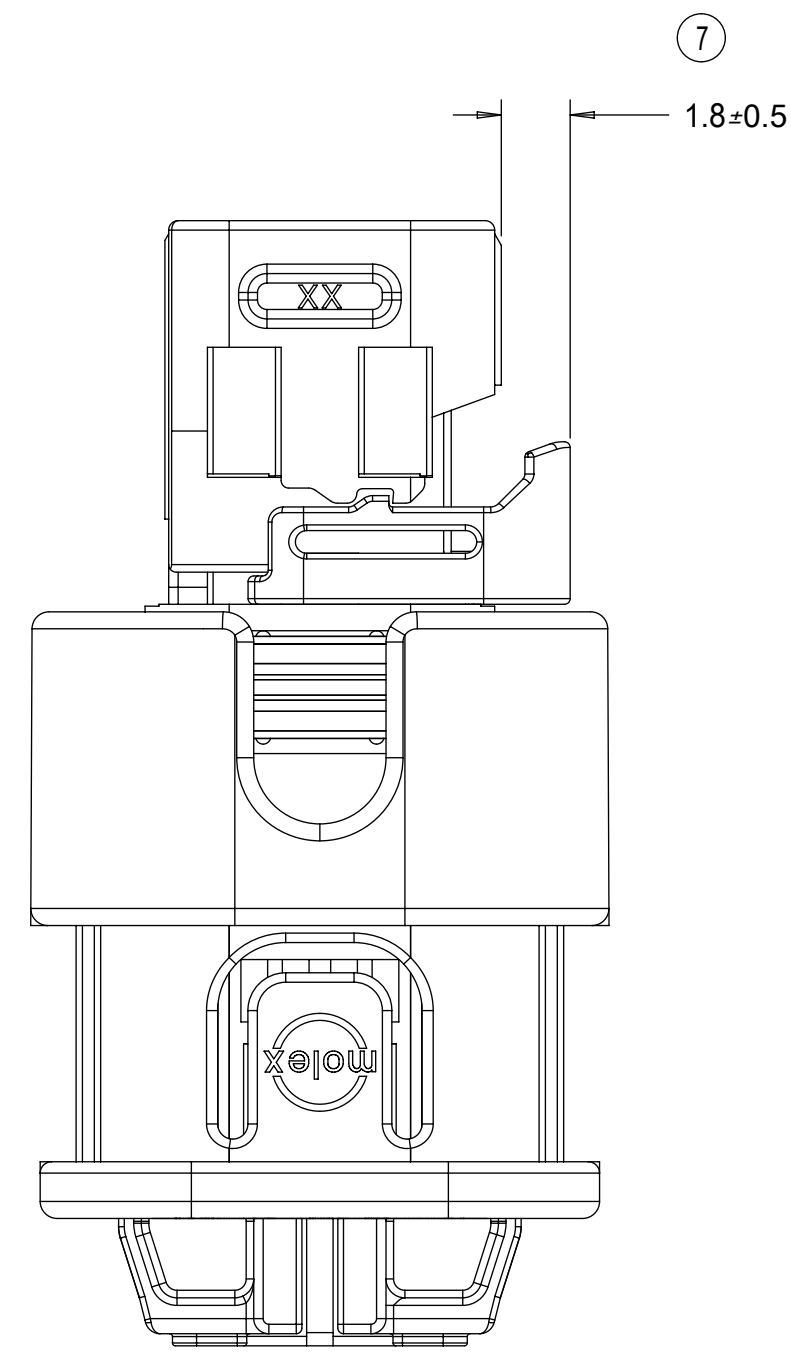
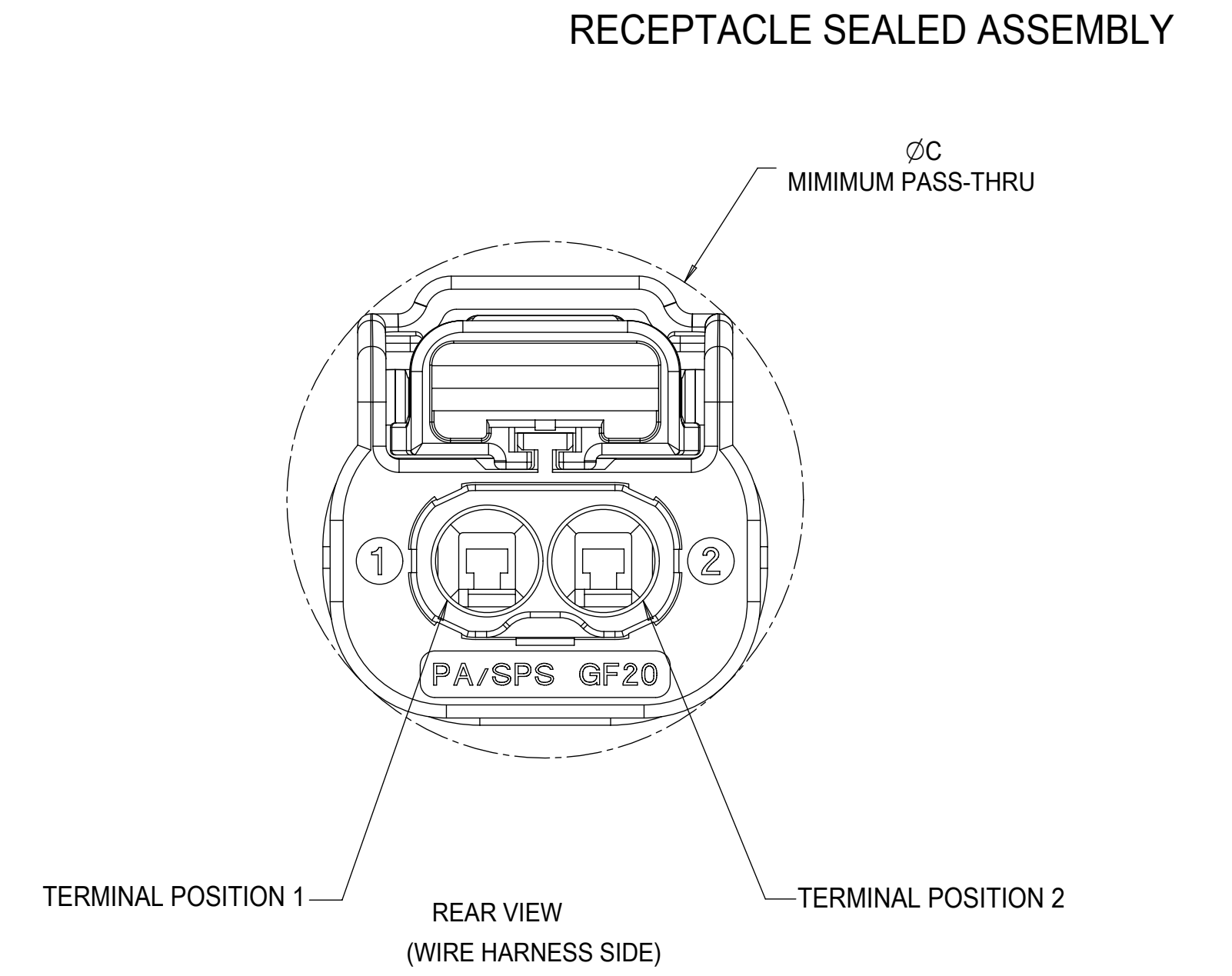
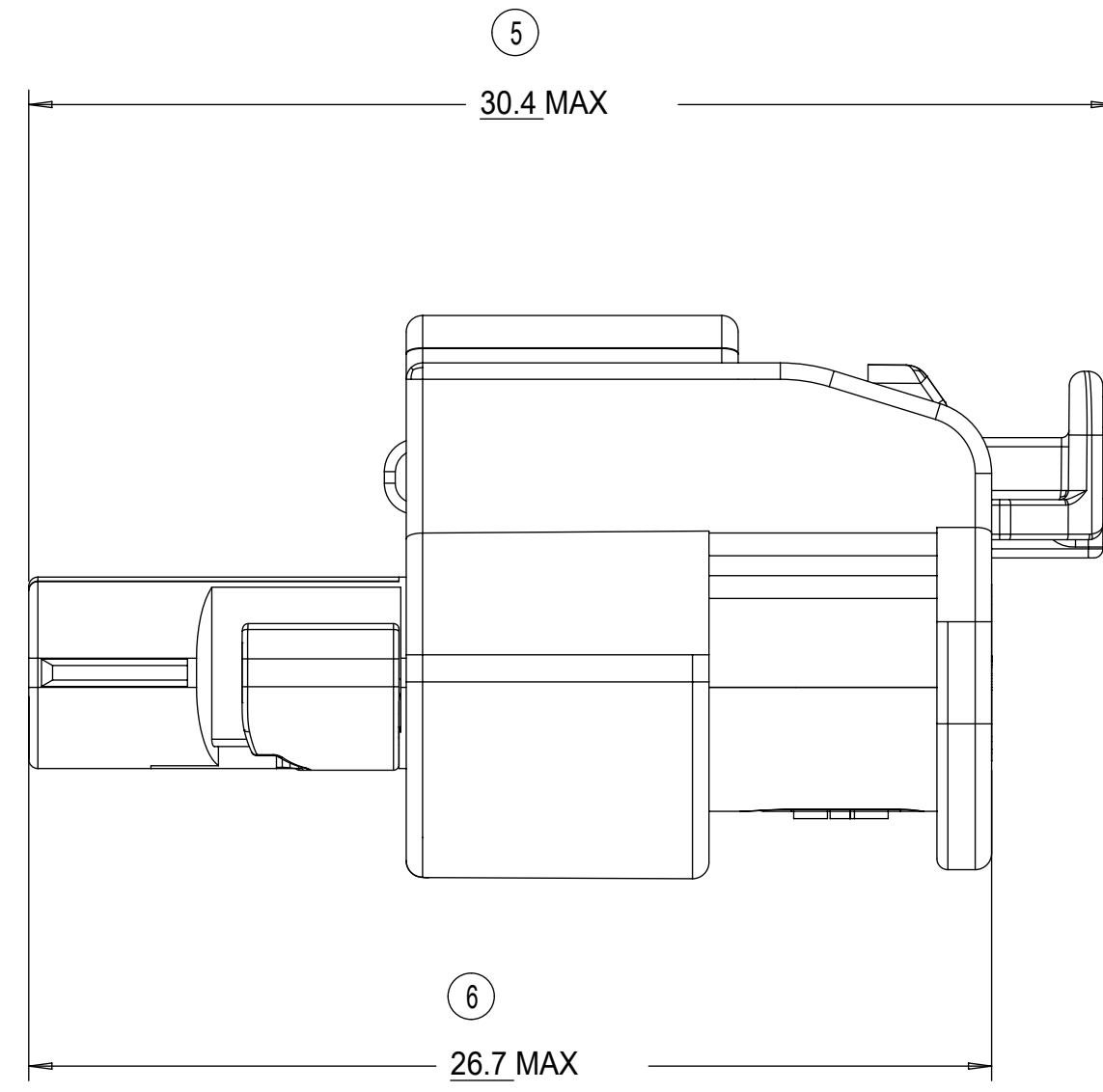
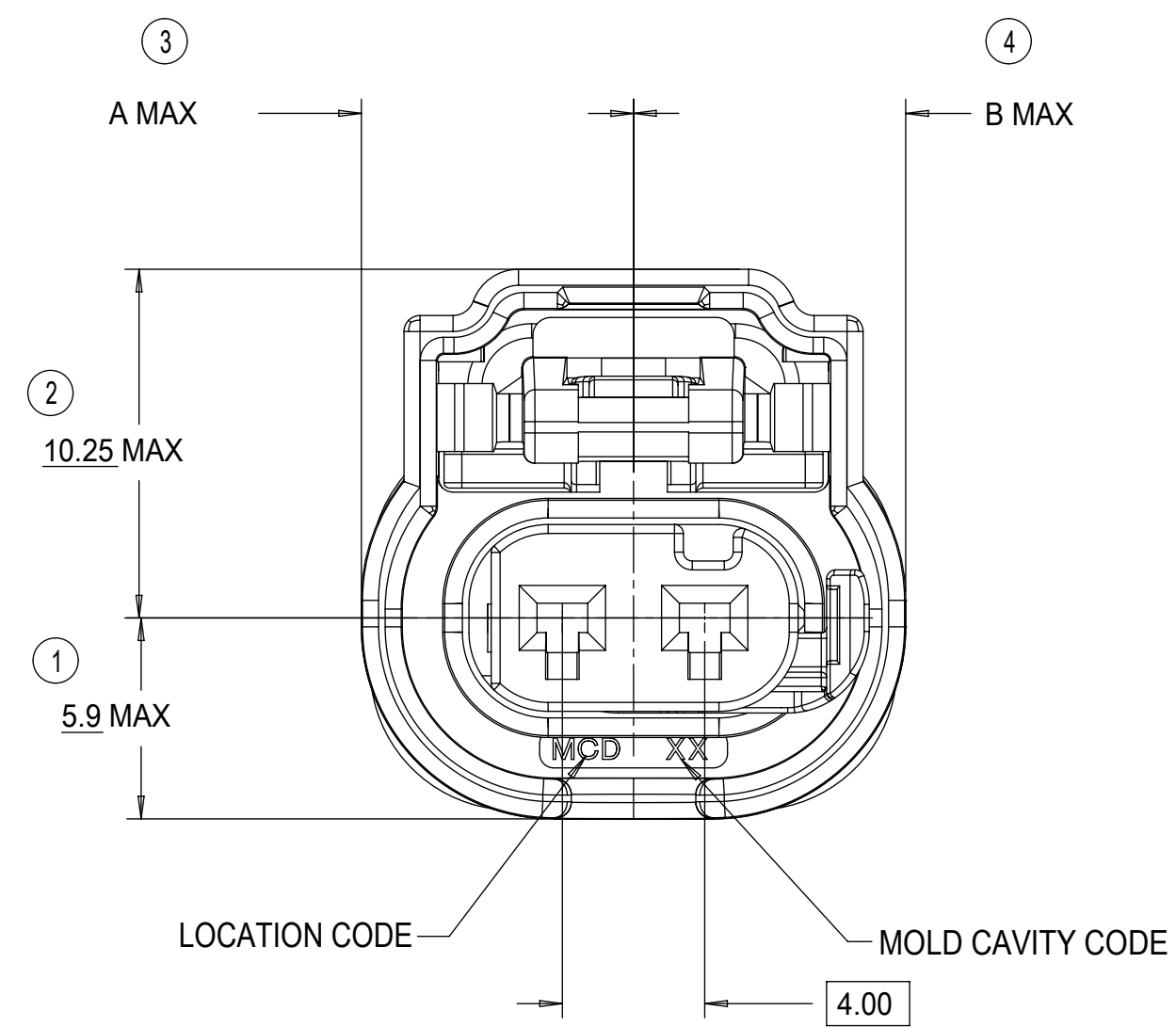
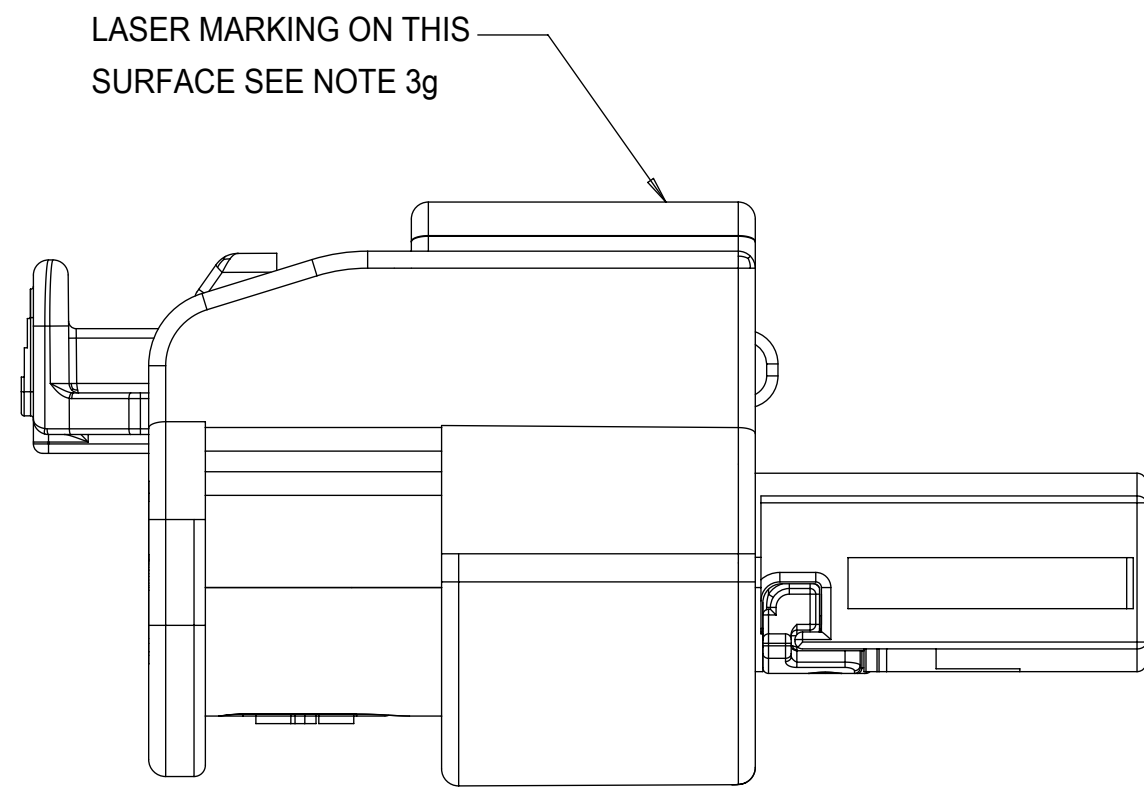


KEYING OPTION C

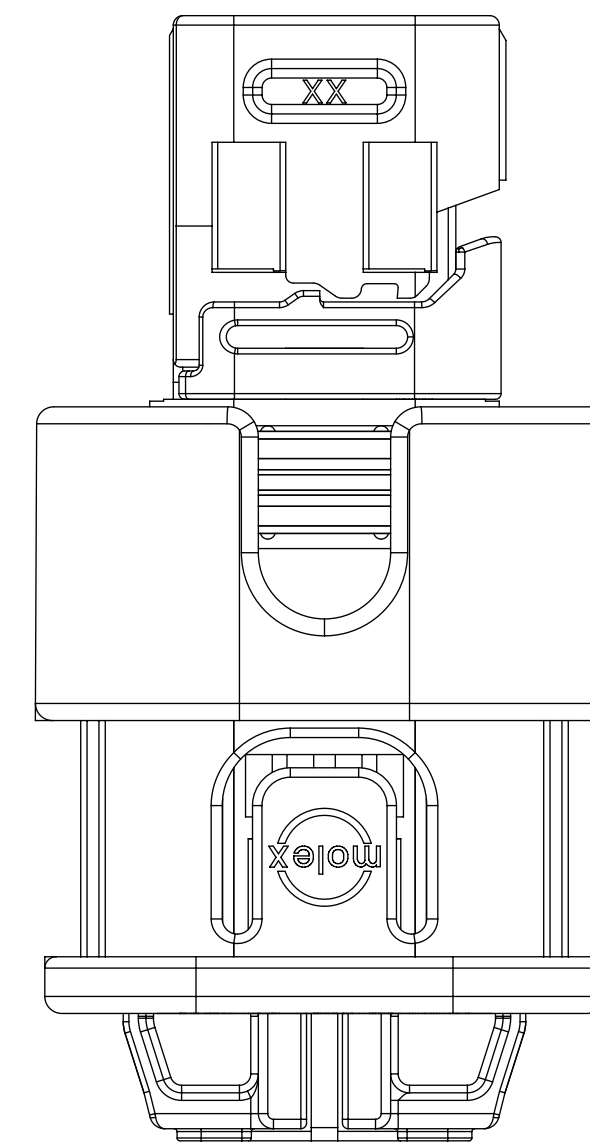


KEYING OPTION D

THIS DRAWING CONTAINS INFORMATION THAT IS PROPRIETARY TO MOLEX ELECTRONIC TECHNOLOGIES, LLC AND SHOULD NOT BE USED WITHOUT WRITTEN PERMISSION											
<b>QUALITY SYMBOLS</b> 	2020/09/11	GENERAL TOLERANCES (UNLESS SPECIFIED)		DIMENSION UNITS	SCALE	 1.2MM 1X2, 1X3 RECPT. SEALED ASSEMBLY CABLE SEAL 621905: ADDED CPA2 PNS, RE-ADDED PNS USING TERMINAL H					
	DRWN BY: GELLIOTTO1	2020/09/15	4 PLACES ±	mm	5:1						
	CHKD: MVANSLAMBROU	2020/09/15	3 PLACES ±	ANGULAR TOL ± °	DRWN BY: MVANSLAMBROU	DATE: 2012/02/15					
	REV: APPR: MVANSLAMBROU	2020/09/15	2 PLACES ± 0.1	0 PLACES ± 0.5	CHKD BY: GGA	DATE: 2013/11/06					
	DRAFT WHERE APPLICABLE MUST REMAIN WITHIN DIMENSIONS			1 PLACE ± 0.2	APPR BY: GGA	DATE: 2012/12/13					
	DRAFT WHERE APPLICABLE MUST REMAIN WITHIN DIMENSIONS			0 PLACES ± 0.5	DRAWING SIZE: D	THIRD ANGLE PROJECTION:					
	DRAFT WHERE APPLICABLE MUST REMAIN WITHIN DIMENSIONS			SERIES: 34900		MATERIAL NUMBER: SEE BOM	CUSTOMER: GENERAL MARKET				
	DRAFT WHERE APPLICABLE MUST REMAIN WITHIN DIMENSIONS			DOCUMENT NUMBER: SD-34900-2001		DOC TYPE: PSD	DOC PART: 001	SHEET NUMBER: 3 OF 7			
	DRAFT WHERE APPLICABLE MUST REMAIN WITHIN DIMENSIONS			C8							
	DRAFT WHERE APPLICABLE MUST REMAIN WITHIN DIMENSIONS										



INDEPENDENT SECONDARY LOCK (ISL)  
SHOWN IN THE PRE-STAGED POSITION



INDEPENDENT SECONDARY LOCK (ISL)  
SHOWN IN THE FINAL-LOCK POSITION

1x3 RECEPTACLE SEALED ASSEMBLY	10.0	10.0	20.75
1x2 RECEPTACLE SEALED ASSEMBLY	8.0	8.0	18.75
CONFIGURATION	A	B	C

**CHARTED DIMENSIONS**

<b>QUALITY SYMBOLS</b> 	THIS DRAWING CONTAINS INFORMATION THAT IS PROPRIETARY TO MOLEX ELECTRONIC TECHNOLOGIES, LLC AND SHOULD NOT BE USED WITHOUT WRITTEN PERMISSION										
	2020/09/11	GENERAL TOLERANCES (UNLESS SPECIFIED)		DIMENSION UNITS	SCALE						
	2020/09/15	ANGULAR TOL ± °		mm	5:1						
	2020/09/15	DRWN BY	DATE	MVANSLAMBROU		2012/02/15	1.2MM 1X2, 1X3 RECPT. SEALED ASSEMBLY CABLE SEAL 621905: ADDED CPA2 PNS, RE-ADDED PNS USING TERMINAL H				
		CHKD BY	DATE			2013/11/06					
	645203	DRWN: GELLIOTTO1	DATE	GGA		2012/12/13	PRODUCT CUSTOMER DRAWING				
		CHKD: MVANSLAMBROU	DATE								
		REV: MVANSLAMBROU	DATE				SERIES	MATERIAL NUMBER	CUSTOMER		
				DRAFT WHERE APPLICABLE MUST REMAIN WITHIN DIMENSIONS		D	34900	SEE BOM	GENERAL MARKET		
							DOCUMENT NUMBER	DOC TYPE	DOC PART	SHEET NUMBER	
						SD-34900-2001	PSD	001	4 OF 7		

1X2 RECEPTACLE SEALED ASSEMBLY BOM SHEET 1

ASSEMBLY DESCRIPTION	PART NUMBER	OPERATING TEMPERATURE	VIBRATION CLASS PER GMW3191 DEC. 2007	OUTER HOUSING SHROUD LENGTH	A	B	C	E	CPA1	CPA3	STATUS	COMMENTS	DESIGNED TO MATE WITH DEVICE CONNECTION
KEYING OPTION E, BLACK	34900-2223	-40 TO 155		4					CHB		CPA2	TOOLED BUT NOT VALIDATED	1 2 3
KEYING OPTION C, BLACK	34900-2222	-40 TO 155		4					CHB	C	CPA2	TOOLED BUT NOT VALIDATED	1 2 3
KEYING OPTION B, BLACK	34900-2221	-40 TO 155		4					CHB	B	CPA2	TOOLED BUT NOT VALIDATED	1 2 3
KEYING OPTION A, BLACK	34900-2220	-40 TO 155		4					CHB	A	CPA2	TOOLED BUT NOT VALIDATED	1 2 3
KEYING OPTION E, YELLOW	34900-2204	-40 TO 125		2					CHY		CPA2	TOOLED BUT NOT VALIDATED	1 2 3
KEYING OPTION C, YELLOW	34900-2203	-40 TO 125		2					CHY	C	CPA2	TOOLED BUT NOT VALIDATED	1 2 3
KEYING OPTION B, YELLOW	34900-2202	-40 TO 125		2					CHY	B	CPA2	TOOLED BUT NOT VALIDATED	1 2 3
KEYING OPTION A, YELLOW	34900-2201	-40 TO 125		2					CHY	A	CPA2	TOOLED BUT NOT VALIDATED	1 2 3
KEYING OPTION E, BLACK	34900-2123	-40 TO 155		4					CHB		CPA1	NOT RECOMMENDED	ALT. KEY SUGGESTED 1 2 3
KEYING OPTION C, BLACK	34900-2122	-40 TO 155		4					CHB	C	CPA1	SALEABLE	1 2 3
KEYING OPTION B, BLACK	34900-2121	-40 TO 155		4					CHB	B	CPA1	SALEABLE	1 2 3
KEYING OPTION A, BLACK	34900-2120	-40 TO 155		4					CHB	A	CPA1	SALEABLE	1 2 3
KEYING OPTION E, YELLOW	34900-2104	-40 TO 125		2					CHY		CPA1	NOT RECOMMENDED	ALT. KEY SUGGESTED 1 2 3
KEYING OPTION C, YELLOW	34900-2103	-40 TO 125		2					CHY	C	CPA1	SALEABLE	1 2 3
KEYING OPTION B, YELLOW	34900-2102	-40 TO 125		2					CHY	B	CPA1	SALEABLE	1 2 3
KEYING OPTION A, YELLOW	34900-2101	-40 TO 125		2					CHY	A	CPA1	SALEABLE	1 2 3
KEYING OPTION B, YELLOW	34900-2002	-40 TO 125		2					CHY	B	CPA1	SALEABLE	1 2 3
KEYING OPTION A, YELLOW	34900-2001	-40 TO 125		2					CHY	A	CPA1	SALEABLE	1 2 3

DESCRIPTION	COLOR	MATERIAL	COMMENTS
RING SEAL		BURNT RED	INHERENTLY LUBRICATED SILICONE
ISL		NATURAL	SPS/NYLON GF20
CPA2		RED	PBT GF30
CPA1		RED	PBT GF30
TERMINAL HOUSING KEYING OPTION E		STONE GRAY	SPS/NYLON GF20
TERMINAL HOUSING KEYING OPTION C		DARK GRAY	SPS/NYLON GF20
TERMINAL HOUSING KEYING OPTION B		LT. GRAY	SPS/NYLON GF20
TERMINAL HOUSING KEYING OPTION A		BLACK	SPS/NYLON GF20
CONNECTOR HOUSING		BLACK	SPS/NYLON GF20
CONNECTOR HOUSING		YELLOW	SPS/NYLON GF20
CONNECTOR HOUSING		BLACK	SPS/NYLON GF20
CONNECTOR HOUSING		YELLOW	SPS/NYLON GF20
WIRE DRESS COVER STRAIGHT		BLACK	PA66
WIRE DRESS COVER RIGHT		BLACK	PA66
WIRE DRESS COVER LEFT		BLACK	PA66
			SOLD SEPARATELY SEE SD-160091-0001

BOM / APPLICABLE COMPONENTS TABLE

ABREVIATION	COMPONENT
CHY	CONNECTOR HOUSING YELLOW
CHB	CONNECTOR HOUSING BLACK
A	TERMINAL HOUSING KEY A
B	TERMINAL HOUSING KEY B
C	TERMINAL HOUSING KEY C
E	TERMINAL HOUSING KEY E
CPA1	CPA VERSION 1
CPA2	CPA VERSION 2
ISL	ISL
R	RING SEAL
1	USCAR INTERFACE 120-S-002-1-Z01 SEE NOTE 1f FOR WEBSITE
2	MOLEX INLINE BLADE CONNECTOR E-34899-2001
3	USCAR INTERFACE 120-S-002-1-Z02 SEE NOTE 1f FOR WEBSITE

<b>QUALITY SYMBOLS</b> 	THIS DRAWING CONTAINS INFORMATION THAT IS PROPRIETARY TO MOLEX ELECTRONIC TECHNOLOGIES, LLC AND SHOULD NOT BE USED WITHOUT WRITTEN PERMISSION			
	EC NO: 645203 DRWN: GELLIOTTO1 CHKD: MVANSLAMBROU REV: APPR: MVANSLAMBROU	2020/09/15 2020/09/15 2020/09/15	GENERAL TOLERANCES (UNLESS SPECIFIED) ANGULAR TOL ± ° 4 PLACES ± 3 PLACES ± 2 PLACES ± 0.1 1 PLACE ± 0.2 0 PLACES ± 0.5	DIMENSION UNITS: mm SCALE: 2:1 DRWN BY: MVANSLAMBROU DATE: 2012/02/15 CHKD BY: GGA DATE: 2013/11/06 APPR BY: GGA DATE: 2012/12/13
	DRAFT WHERE APPLICABLE MUST REMAIN WITHIN DIMENSIONS		D D 	PRODUCT CUSTOMER DRAWING SERIES: 34900 MATERIAL NUMBER: 9999999999 CUSTOMER: GENERAL MARKET
	RELEASE STATUS: P1 RELEASE DATE: 2020/09/15 14:05:25	DOCUMENT NUMBER: SD-34900-2001 DOC TYPE: PSD DOC PART: 001 SHEET NUMBER: 5 OF 7		MOLEX® 1.2MM 1X2, 1X3 RECPT. SEALED ASSEMBLY CABLE SEAL 621905: ADDED CPA2 PNS, RE-ADDED PNS USING TERMINAL H

KEYING OPTION D, STONE GRAY	34900-3223	-40 TO 125	2	SHORT	CHB				D			CPA2	TOOLED BUT NOT VALIDATED	1	2	3
KEYING OPTION C, DARK GRAY	34900-3222	-40 TO 125	2	SHORT	CHB				C			CPA2	TOOLED BUT NOT VALIDATED	1	2	3
KEYING OPTION B, LIGHT GRAY	34900-3221	-40 TO 125	2	SHORT	CHB			B				CPA2	TOOLED BUT NOT VALIDATED	1	2	3
KEYING OPTION A, BLACK	34900-3220	-40 TO 125	2	SHORT	CHB	A						CPA2	TOOLED BUT NOT VALIDATED	1	2	3
KEYING OPTION D, YELLOW	34900-3204	-40 TO 125	2	SHORT	CHY				D			CPA2	TOOLED BUT NOT VALIDATED	1	2	3
KEYING OPTION C, YELLOW	34900-3203	-40 TO 125	2	SHORT	CHY				C			CPA2	TOOLED BUT NOT VALIDATED	1	2	3
KEYING OPTION B, YELLOW	34900-3202	-40 TO 125	2	SHORT	CHY			B				CPA2	TOOLED BUT NOT VALIDATED	1	2	3
KEYING OPTION A, YELLOW	34900-3201	-40 TO 125	2	SHORT	CHY	A						CPA2	TOOLED BUT NOT VALIDATED	1	2	3
KEYING OPTION D, STONE GRAY	34900-3127	-40 TO 125	CONTACT MOLEX FOR INFO	SHORT	CHB					D	CPA1	SALEABLE	RESTRICTED	1	2	3
KEYING OPTION A, BLACK	34900-3124	-40 TO 125	CONTACT MOLEX FOR INFO	SHORT	CHB					A	CPA1	SALEABLE	RESTRICTED	1	2	3
KEYING OPTION D, STONE GRAY	34900-3123	-40 TO 125	2	SHORT	CHB				D		CPA1	TOOLED BUT NOT VALIDATED		1	2	3
KEYING OPTION C, DARK GRAY	34900-3122	-40 TO 125	2	SHORT	CHB				C		CPA1	TOOLED BUT NOT VALIDATED		1	2	3
KEYING OPTION B, LIGHT GRAY	34900-3121	-40 TO 125	2	SHORT	CHB			B			CPA1	SALEABLE		1	2	3
KEYING OPTION A, BLACK	34900-3120	-40 TO 125	2	SHORT	CHB	A					CPA1	SALEABLE		1	2	3
KEYING OPTION D, YELLOW	34900-3104	-40 TO 125	2	SHORT	CHY				D		CPA1	TOOLED BUT NOT VALIDATED		1	2	3
KEYING OPTION C, YELLOW	34900-3103	-40 TO 125	2	SHORT	CHY				C		CPA1	TOOLED BUT NOT VALIDATED		1	2	3
KEYING OPTION B, YELLOW	34900-3102	-40 TO 125	2	SHORT	CHY			B			CPA1	SALEABLE		1	2	3
KEYING OPTION A, YELLOW	34900-3101	-40 TO 125	2	SHORT	CHY	A					CPA1	SALEABLE		1	2	3
ASSEMBLY DESCRIPTION	PART NUMBER	OPERATING TEMPERATURE	VIBRATION CLASS PER GMW3191 DEC. 2007	OUTER HOUSING SHROUD LENGTH		A	B	C	D	A	D	CPA1	CPA3	STATUS	COMMENTS	DESIGNED TO MATE WITH DEVICE CONNECTION

1X3 RECEPTACLE SEALED ASSEMBLY BOM SHEET 1

RING SEAL	LIGHT BLUE	INHERENTLY LUBRICATED SILICONE	
ISL	NATURAL	SPS/NYLON GF20	
CPA2	RED	PBT GF30	
CPA1	RED	PBT GF30	
TERMINAL HOUSING KEYING OPTION D, Alt.	STONE GRAY	SPS/NYLON GF20	RESTRICTED
TERMINAL HOUSING KEYING OPTION A, Alt.	BLACK	SPS/NYLON GF20	RESTRICTED
TERMINAL HOUSING KEYING OPTION D	STONE GRAY	SPS/NYLON GF20	
TERMINAL HOUSING KEYING OPTION C	DARK GRAY	SPS/NYLON GF20	
TERMINAL HOUSING KEYING OPTION B	LT. GRAY	SPS/NYLON GF20	
TERMINAL HOUSING KEYING OPTION A	BLACK	SPS/NYLON GF20	
CONNECTOR HOUSING	BLACK	SPS/NYLON GF20	UPDATED LATCH
CONNECTOR HOUSING	YELLOW	SPS/NYLON GF20	UPDATED LATCH
CONNECTOR HOUSING	BLACK	SPS/NYLON GF20	
CONNECTOR HOUSING	YELLOW	SPS/NYLON GF20	
WIRE DRESS COVER STRAIGHT	BLACK	PA66	SOLD SEPARATELY SEE SD-160091-0001
WIRE DRESS COVER RIGHT	BLACK	PA66	
WIRE DRESS COVER LEFT	BLACK	PA66	
DESCRIPTION	COLOR	MATERIAL	COMMENTS

BOM / APPLICABLE COMPONENTS TABLE

ABREVIATION	COMPONENT
CHY	CONNECTOR HOUSING YELLOW
CHB	CONNECTOR HOUSING BLACK
A	TERMINAL HOUSING KEY A
B	TERMINAL HOUSING KEY B
C	TERMINAL HOUSING KEY C
D	TERMINAL HOUSING KEY D
CPA1	CPA VERSION 1
CPA2	CPA VERSION 2
ISL	ISL
R	RING SEAL
1	USCAR INTERFACE 120-S-003-1-Z01 SEE NOTE 1f FOR WEBSITE
2	MOLEX INLINE BLADE CONNECTOR E-34899-2001
3	USCAR INTERFACE 120-S-003-1-Z02 SEE NOTE 1f FOR WEBSITE

QUALITY SYMBOLS	THIS DRAWING CONTAINS INFORMATION THAT IS PROPRIETARY TO MOLEX ELECTRONIC TECHNOLOGIES, LLC AND SHOULD NOT BE USED WITHOUT WRITTEN PERMISSION	
▽ = 0	2020/09/11	GENERAL TOLERANCES (UNLESS SPECIFIED)
▽ = 0	2020/09/15	DIMENSION UNITS: mm
▽ = 0	2020/09/15	SCALE: 5:1
▽ = 0	2020/09/15	DRWN BY: MVANSLAMBROU
▽ = 0	2020/09/15	DATE: 2012/02/15
▽ = 0	2020/09/15	CHKD BY: GGA
▽ = 0	2020/09/15	DATE: 2013/11/06
▽ = 0	2020/09/15	APPR BY: GGA
▽ = 0	2020/09/15	DATE: 2012/12/13
▽ = 0	2020/09/15	DRAWING SIZE: D
▽ = 0	2020/09/15	THIRD ANGLE PROJECTION
▽ = 0	2020/09/15	DRAFT WHERE APPLICABLE MUST REMAIN WITHIN DIMENSIONS
EC NO: 645203	DRWN: GELIOTTO1	CHKD: MVANSLAMBROU
REV: APPR: MVANSLAMBROU	2020/09/15	2020/09/15
RELEASE STATUS: P1	RELEASE DATE: 2020/09/15	14:05:25
SERIES: 34900		MATERIAL NUMBER: 9999999999
CUSTOMER: GENERAL MARKET		DOCUMENT NUMBER: SD-34900-2001
DOC TYPE: PSD		DOC PART: 001
SHEET NUMBER: 6 OF 7		

# OBSOLETE PART NUMBERS

34900-2023	OBSOLETE
34900-2022	OBSOLETE
34900-2021	OBSOLETE
34900-2020	OBSOLETE
34900-2004	OBSOLETE
34900-2003	OBSOLETE
ASSEMBLY PART NUMBERS	STATUS

1X2

34900-3023	OBSOLETE
34900-3022	OBSOLETE
34900-3021	OBSOLETE
34900-3020	OBSOLETE
34900-3004	OBSOLETE
34900-3003	OBSOLETE
34900-3002	OBSOLETE
34900-3001	OBSOLETE
ASSEMBLY PART NUMBERS	STATUS

1X3


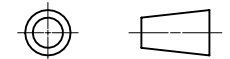
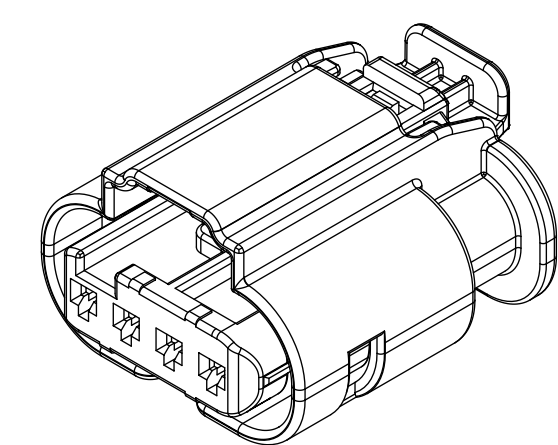
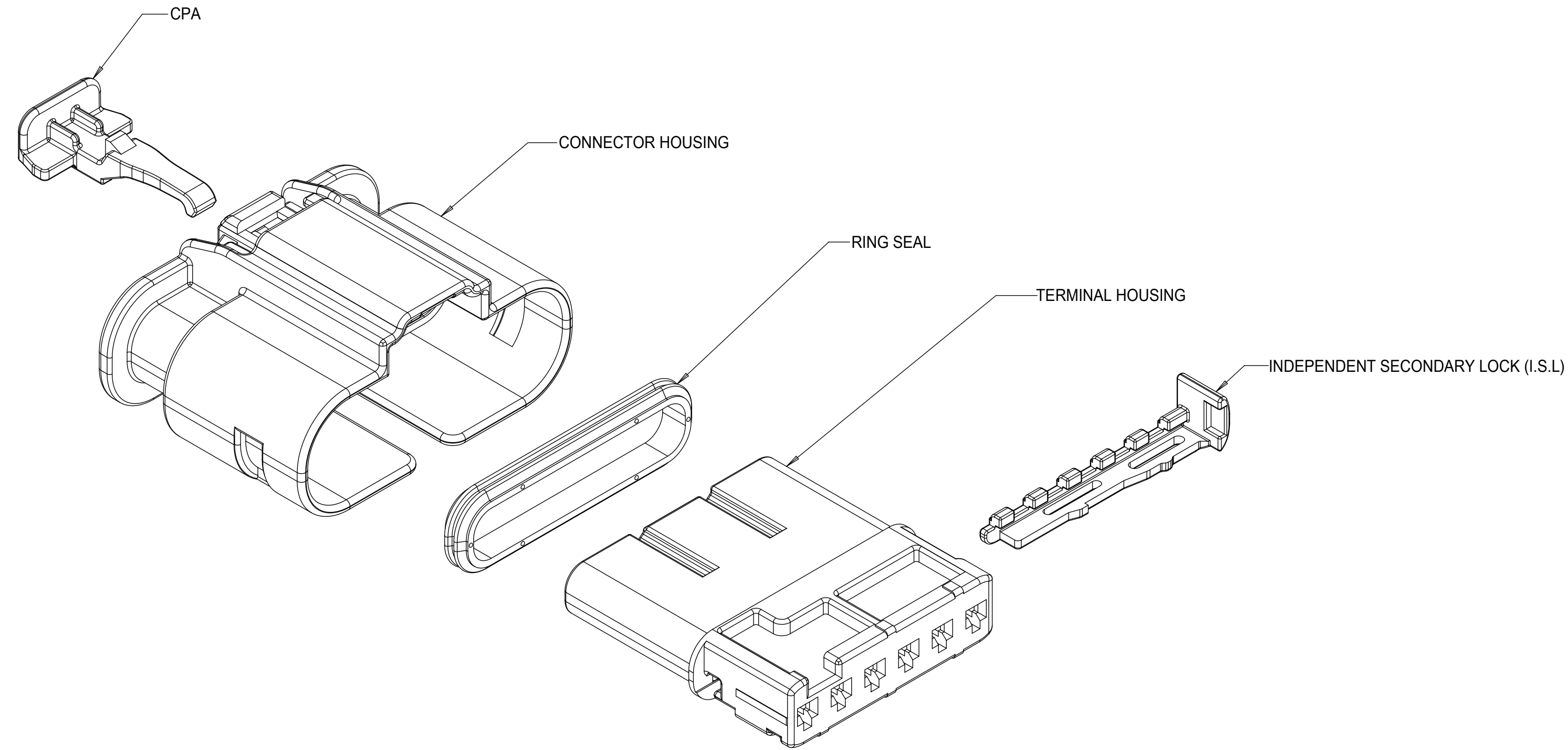
THIS DRAWING CONTAINS INFORMATION THAT IS PROPRIETARY TO MOLEX ELECTRONIC TECHNOLOGIES, LLC AND SHOULD NOT BE USED WITHOUT WRITTEN PERMISSION									
DIMENSION UNITS	SCALE	Material:							
mm	1:1	Heat treat:							
GENERAL TOLERANCES (UNLESS SPECIFIED)		Finish:			1.2MM 1X2, 1X3 RECPT. SEALED ASSEMBLY CABLE SEAL 621905: ADDED CPA2 PNS, RE-ADDED PNS USING TERMINAL H				
ANGULAR TOL ± °		CURRENT REV DESC:							
4 PLACES	±	EC NO: 645203 DRWN: GELLIOTT01 2020/09/11 CHK'D: MVANSLAMBROU 2020/09/15 APPR: MVANSLAMBROU 2020/09/15 ORIG DRWN BY: MVANSLAMBROU 2012/02/15			PRODUCT CUSTOMER DRAWING				
3 PLACES	±				DOCUMENT NUMBER				
2 PLACES	± 0.1				SD-34900-2001				
1 PLACE	± 0.2				DOC TYPE   DOC PART   REVISION				
0 PLACES	± 0.5				PSD   001   C8				
TOOL NUMBER	THIRD ANGLE PROJECTION	DRAWING	SERIES	MATERIAL NUMBER	CUSTOMER		SHEET NUMBER		
		D-SIZE	34900		GENERAL MARKET		7 OF 7		

TABLE OF CONTENTS

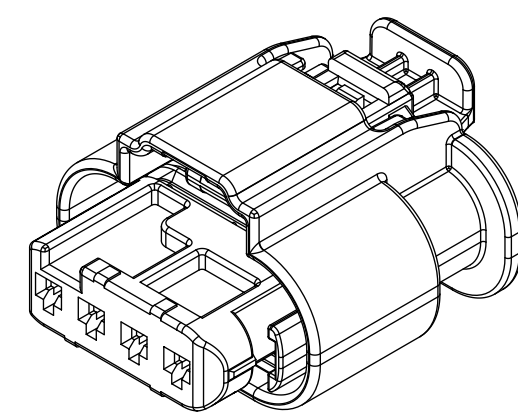
SHEET NO.	SHEET DESCRIPTION
1	NOTES
2	1x4 RECEPTACLE SEALED ASSEMBLY KEYING CONFIGURATIONS
3	1x6 RECEPTACLE SEALED ASSEMBLY KEYING CONFIGURATIONS
4	RECEPTACLE SEALED ASSEMBLY
5	1x4 RECEPTACLE SEALED ASSEMBLY BOM SHEET
6	1x6 RECEPTACLE SEALED ASSEMBLY BOM SHEET

NOTES: VALID UNLESS OTHERWISE SPECIFIED

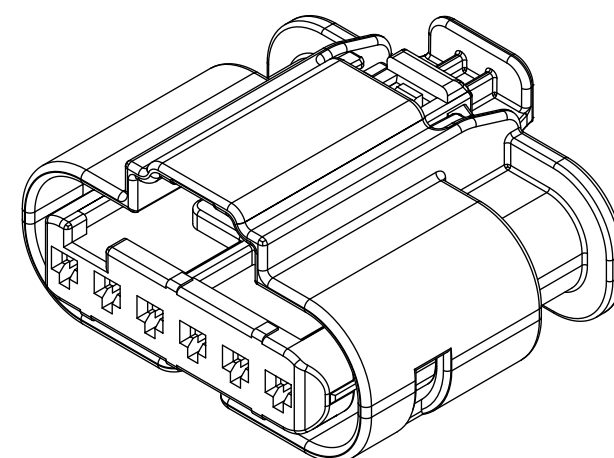
1. GENERAL:
  - a. APPLICATION SPECIFICATION SEE: AS-34900-0001  
CONTAINS: PRODUCT INTRODUCTION, PRODUCT SUMMARY, CONNECTOR ASSEMBLY, PACKAGING INFORMATION, CONNECTOR MATING, SERVICE INSTRUCTIONS, ELECTRICAL CONTINUITY CHECKING, CRIMPING, AND TROUBLESHOOTING.
  - b. PRODUCT SPECIFICATION SEE: PS-34900-0001  
CONTAINS: PRODUCT INTRODUCTION, PRODUCT SUMMARY, APPROVED TERMINALS, SINGLE WIRE SEALS, RATINGS (CURRENT, TEMPERATURE, SEALING, AND FLAMMABILITY), AND PRODUCT VALIDATION.
  - c. PACKAGING SPECIFICATION PER MOLEX DRAWING: PK-31301-898
  - d. PARTS MUST BE IN COMPLIANCE TO MOLEX CHEMICAL SUBSTANCES FOR PRODUCTS AND PACKAGING SPECIFICATION: ES-40000-5016
  - e. DATA MUST BE SUBMITTED UNDER THE MOLEX PART NUMBER TO IMDS (COMPANY ID#13255)
  - f. DESIGNED TO MATE WITH DEVICE CONNECTION AS SPECIFIED IN BOM CHART USCAR INTERFACE DRAWINGS AND MODELS ARE AVAILABLE AT <http://ewcap.uscarteams.org/>.
2. DESIGN - MATERIALS:
  - a. SEE BOM TABLE
3. DESIGN - GEOMETRY:
  - a. THIS IS A 100% CAD GENERATED PART. THE CAD MATHEMATICAL DATA IS THE MASTER FOR THIS PART. FOR DIMENSIONAL OR ANY INFORMATION NOT SHOWN ON THIS DRAWING, ANALYZE THE CAD MODEL.
  - b. GEOMETRIC DIMENSIONS AND TOLERANCES PER ASME Y14.5M - 1994
  - c. EDGES AND UNDIMENSIONED DETAILS PER ISO13715
  - d. CORNERS SHOWN AS SHARP TO BE R 0.2 MAX.
  - e. LETTERING SHALL BE 0.15 MAX RAISED IN 0.25 MAX RECESS PAD. THIS INCLUDES RECYCLING CODE, CAVITY ID, VENDOR IDENTIFICATION, AND CUSTOMER MATERIAL NUMBER.
  - f. VISUAL DEFECTS SHALL MEET COSMETIC STANDARD PS-45499-002 (Class B) CAD MODEL.
  - g. LASER MARKING:
    1. PART NUMBER
    2. DAY OF THE YEAR
    3. SHIFT
    4. YEAR



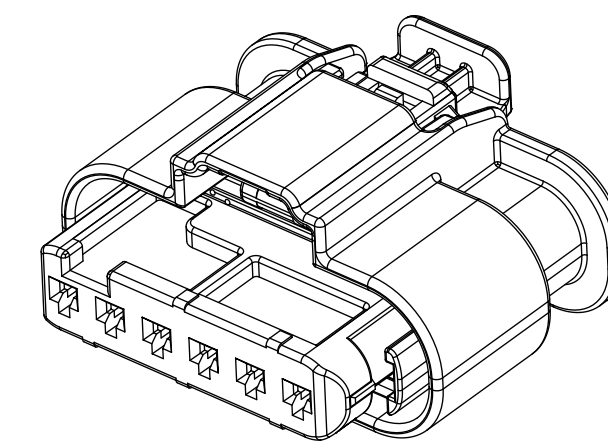
1x4 RECEPTACLE SEALED ASSEMBLY  
LONG SHROUD



1x4 RECEPTACLE SEALED ASSEMBLY  
MID LENGTH SHROUD



1x6 RECEPTACLE SEALED ASSEMBLY  
LONG SHROUD



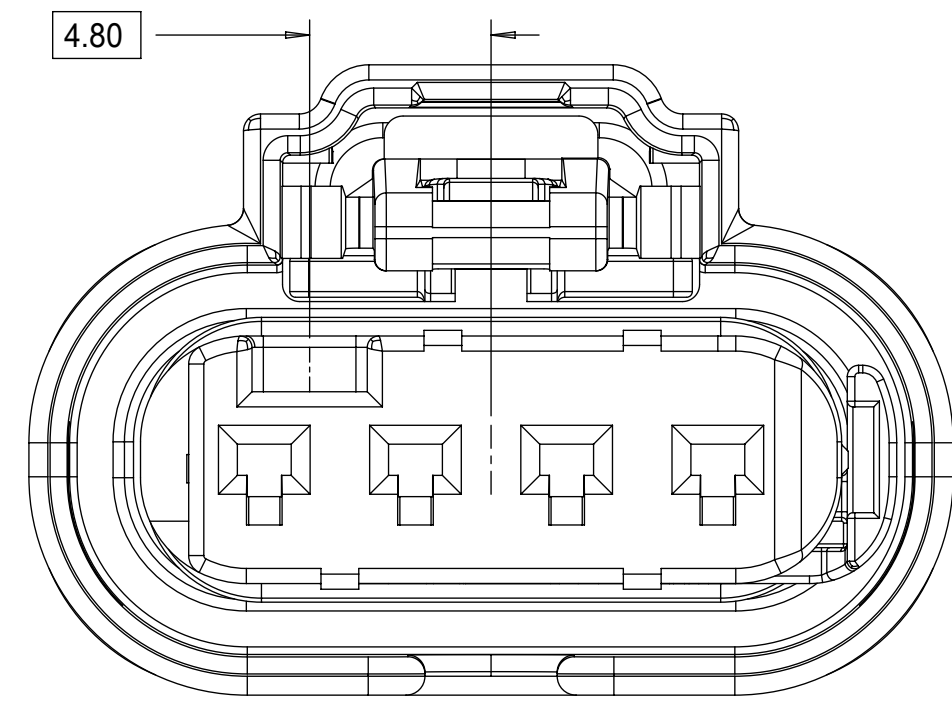
1x6 RECEPTACLE SEALED ASSEMBLY  
MID LENGTH SHROUD

A15-A17	REMOVED CPA3
A14	UPDATED STATUS, ADDED WIRE DRESS COVERS
A13	NX-REMASTER, ADDED CPA2 PART NUMBERS ABD OBSLETE PAGE
A12	RELEASE ALL KEYS SALEABLE
A11	RELEASE NON SIR SALEABLE
A10	PART #'S WITH NEW LATCH DESIGN SALEABLE
A9	PART #'S WITH NEW LATCH DESIGN SALEABLE
A8	ADDED NEW PART NUMBERS FOR LATCH IMPROVEMENT PARTS
A7	UPDATED 34900-6012 AND 34900-6012 TO SALEBLE
A6	UPDATED SHROUD LENGTH DIMENSION SCHEME
A5	BOM CORRECTIONS AND UPDATES
A4	BOM CORRECTIONS AND UPDATES
A3	NON SIR PART# OK TO TOOL
A2	BOM UPDATES FOR NON-SIR PART #
A1	1X6 MID LENGTH SHROUD OK TO TOOL
A	1X4 INLINE VIEWS ADDED
1	INITIAL RELEASE
REV	DESCRIPTION

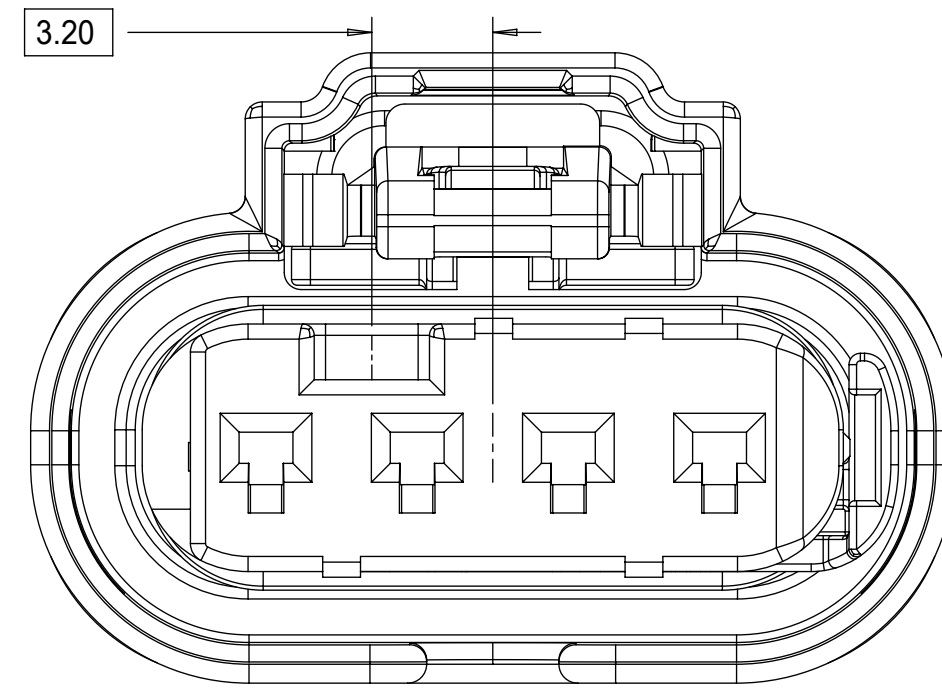
QUALITY SYMBOLS	THIS DRAWING CONTAINS INFORMATION THAT IS PROPRIETARY TO MOLEX ELECTRONIC TECHNOLOGIES, LLC AND SHOULD NOT BE USED WITHOUT WRITTEN PERMISSION				
▽ = 0	EC NO: 639764 DRWN: GELIOTTO1 CHKD: KBORUSZEWSKI REV APPR: KBORUSZEWSKI	GENERAL TOLERANCES (UNLESS SPECIFIED)		DIMENSION UNITS	SCALE
▽ = 0		ANGULAR TOL ± °		mm	3:1
▽ = 0		4 PLACES ±	DRWN BY	DATE	
▽ = 0		3 PLACES ±	MVANSLAMBROU	2012/05/03	
▽ = 0		2 PLACES ± 0.1	CHKD BY	DATE	
▽ = 0		1 PLACE ± 0.2	APPR BY	DATE	
▽ = 0		0 PLACES ± 0.5	GGA	2012/12/13	
▽ = 0		DRAFT WHERE APPLICABLE MUST REMAIN WITHIN DIMENSIONS	DRAWING SIZE	THIRD ANGLE PROJECTION	
▽ = 0			D		
▽ = 0					
		SERIES		MATERIAL NUMBER	CUSTOMER
		34900		SEE TABLE	GENERAL MARKET
		DOCUMENT NUMBER		DOC TYPE	DOC PART SHEET NUMBER
		SD-34900-6001		PSD	001 1 OF 7



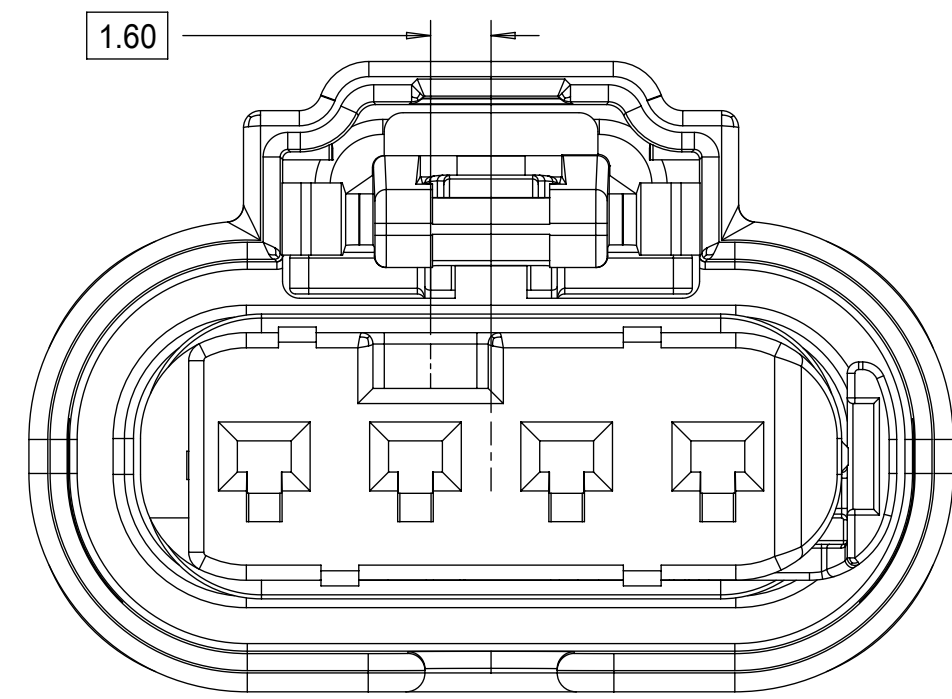
1x4 RECEPTACLE SEALED ASSEMBLY KEYING CONFIGURATIONS. FOR PART NUMBERS REFER TO BOM SHEET.



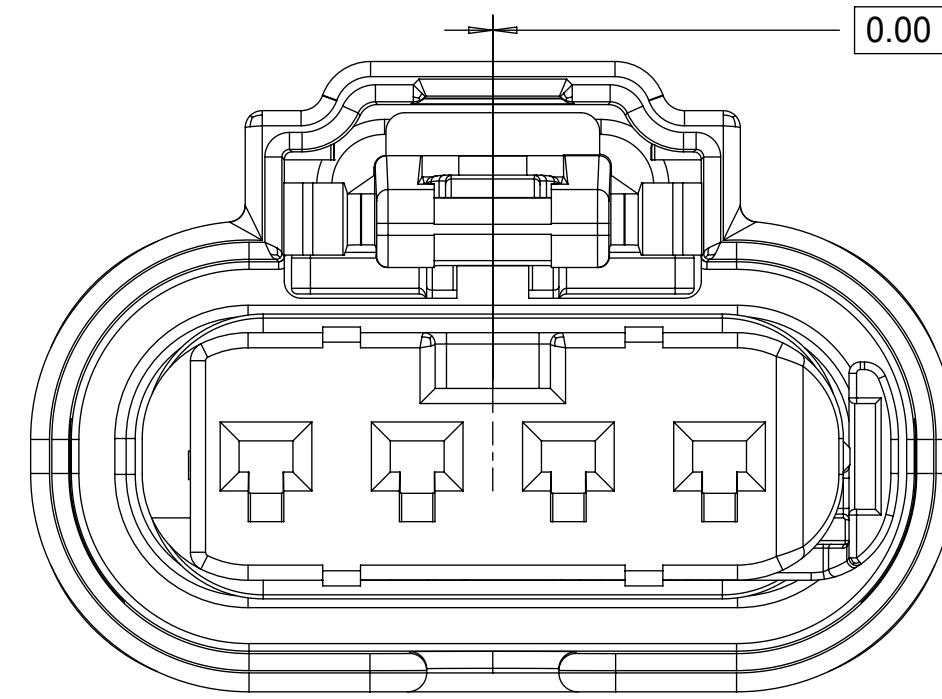
KEYING OPTION A



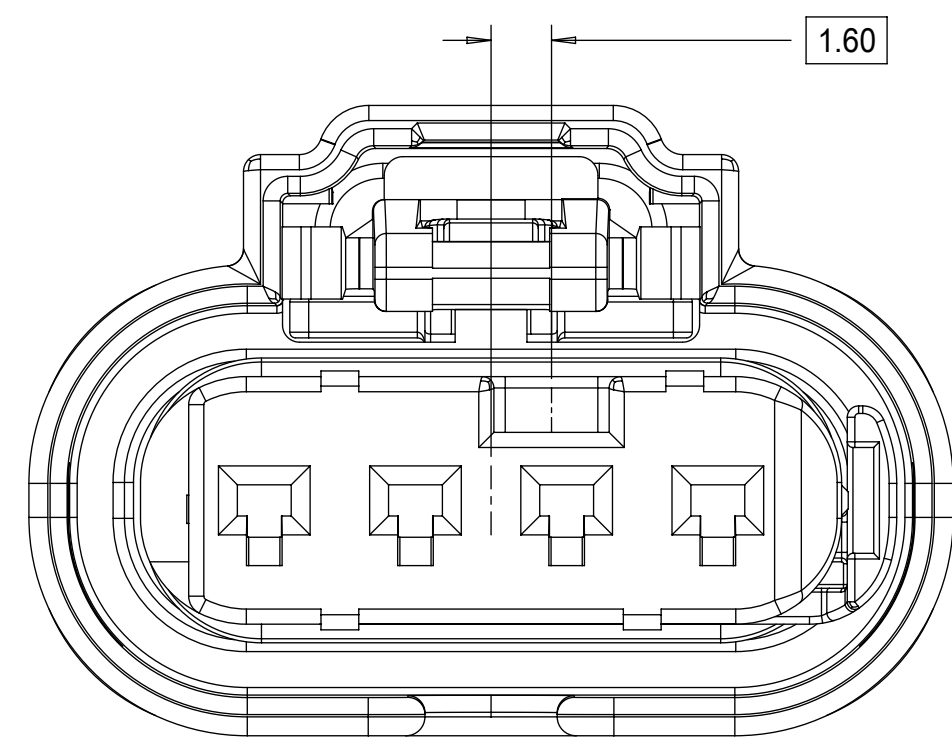
KEYING OPTION E



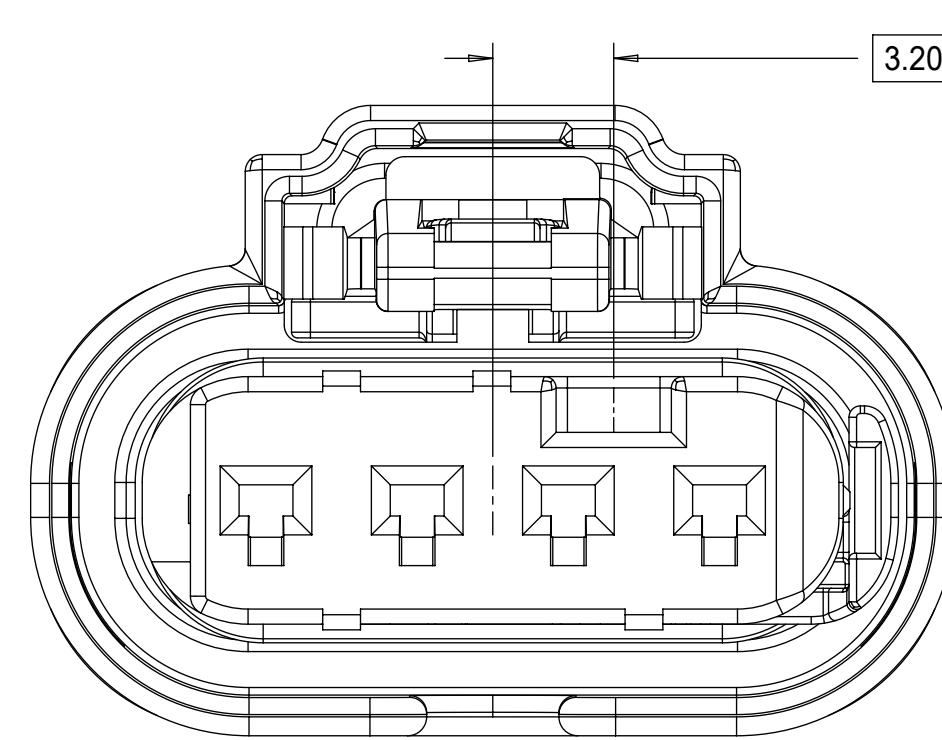
KEYING OPTION B



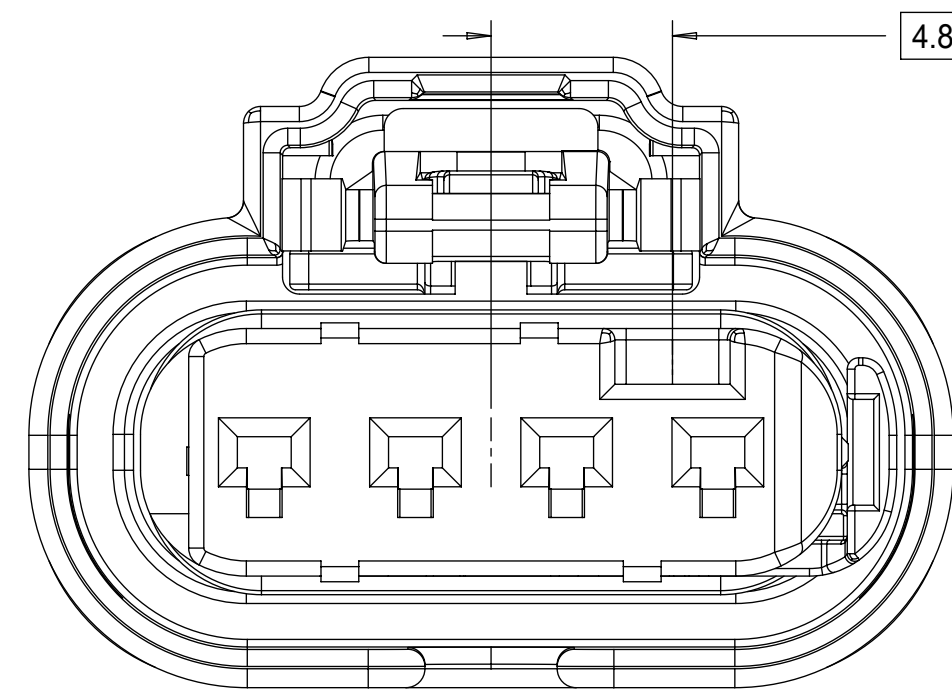
KEYING OPTION F



KEYING OPTION C



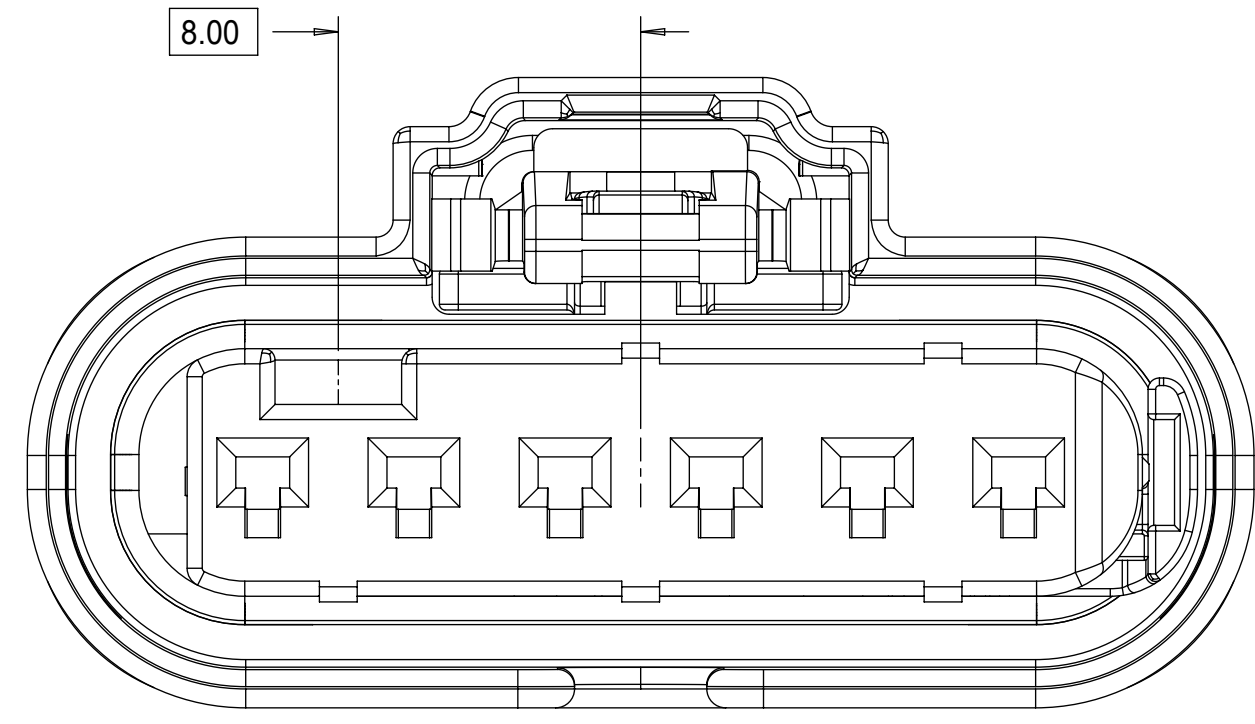
KEYING OPTION G



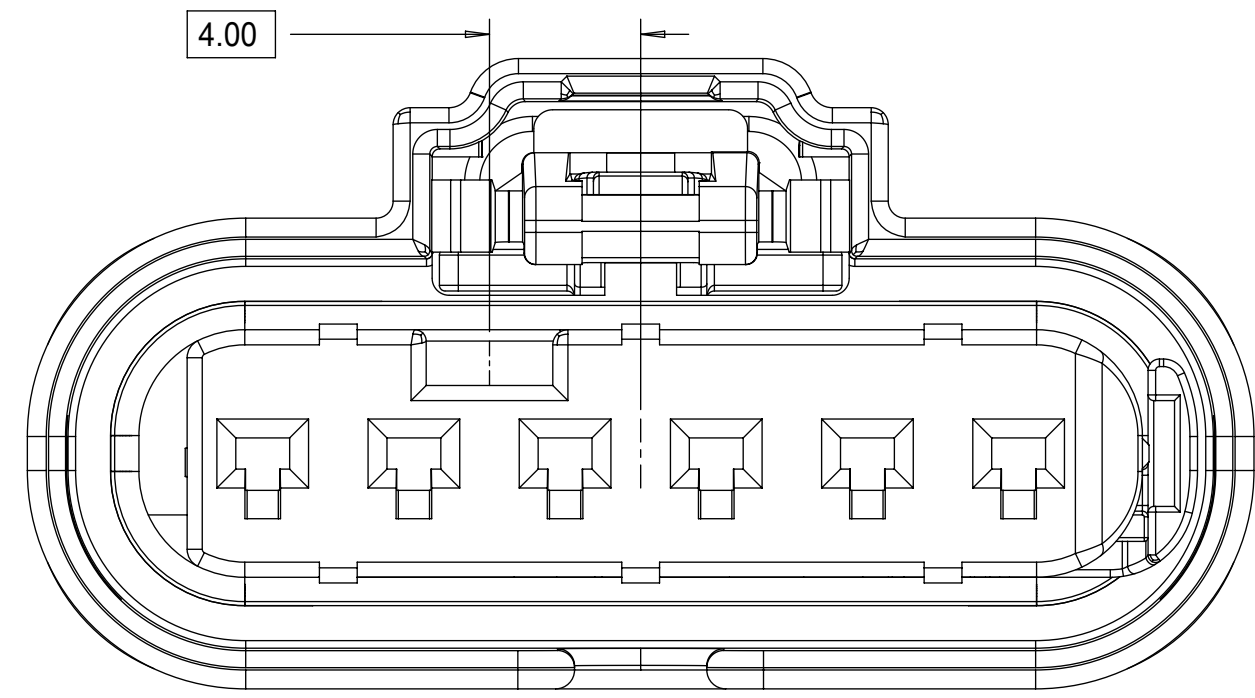
KEYING OPTION D

<b>QUALITY SYMBOLS</b> □ = 0 ▽ = 0 ▽ = 0 ▽ = 0 ▽ = 0 ▽ = 0 ▽ = 0 ▽ = 0 ▽ = 0 ▽ = 0 ▽ = 0	THIS DRAWING CONTAINS INFORMATION THAT IS PROPRIETARY TO MOLEX ELECTRONIC TECHNOLOGIES, LLC AND SHOULD NOT BE USED WITHOUT WRITTEN PERMISSION									
	2020/06/17	GENERAL TOLERANCES (UNLESS SPECIFIED)		DIMENSION UNITS	SCALE					
	2020/06/23	ANGULAR TOL ± °		mm	5:1					
	2020/06/23	4 PLACES ±	DRWN BY		DATE	1.2MM 1X4, 1X6 RECPT. SEALED ASSEMBLY CABLE SEAL 626759 - CHANGED CPA2 TO CPA2. ROLLING CHANGE AT GM.				
		3 PLACES ±	MVANSLAMBROU		2012/05/03					
		2 PLACES ± 0.1	CHKD BY		DATE	PRODUCT CUSTOMER DRAWING				
		1 PLACE ± 0.2	GGA		2012/12/13					
		0 PLACES ± 0.5	APPR BY		DATE	SERIES	MATERIAL NUMBER	CUSTOMER		
		DRAFT WHERE APPLICABLE MUST REMAIN WITHIN DIMENSIONS	DRAFTER			34900	SEE BOM	GENERAL MARKET		
			REV APPR			DOCUMENT NUMBER	DOC TYPE	DOC PART	SHEET NUMBER	
		A17			SD-34900-6001	PSD	001	2 OF 7		

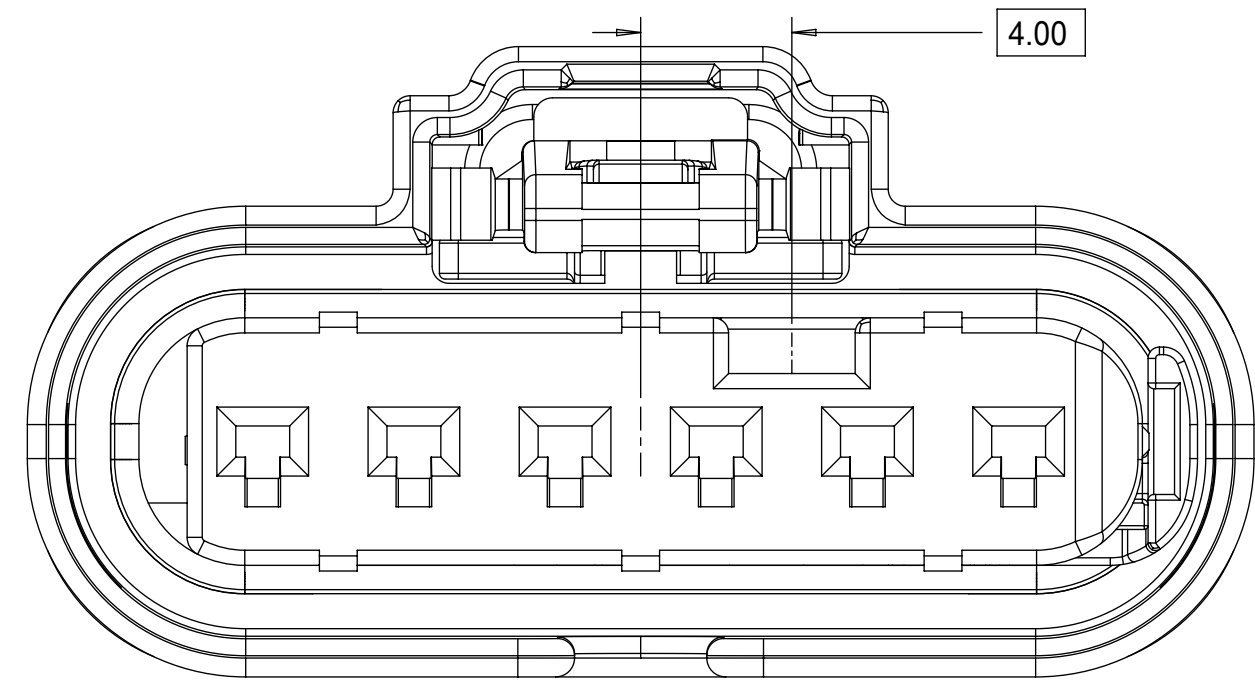
1x6 RECEPTACLE SEALED ASSEMBLY KEYING CONFIGURATIONS. FOR PART NUMBERS REFER TO BOM SHEET.



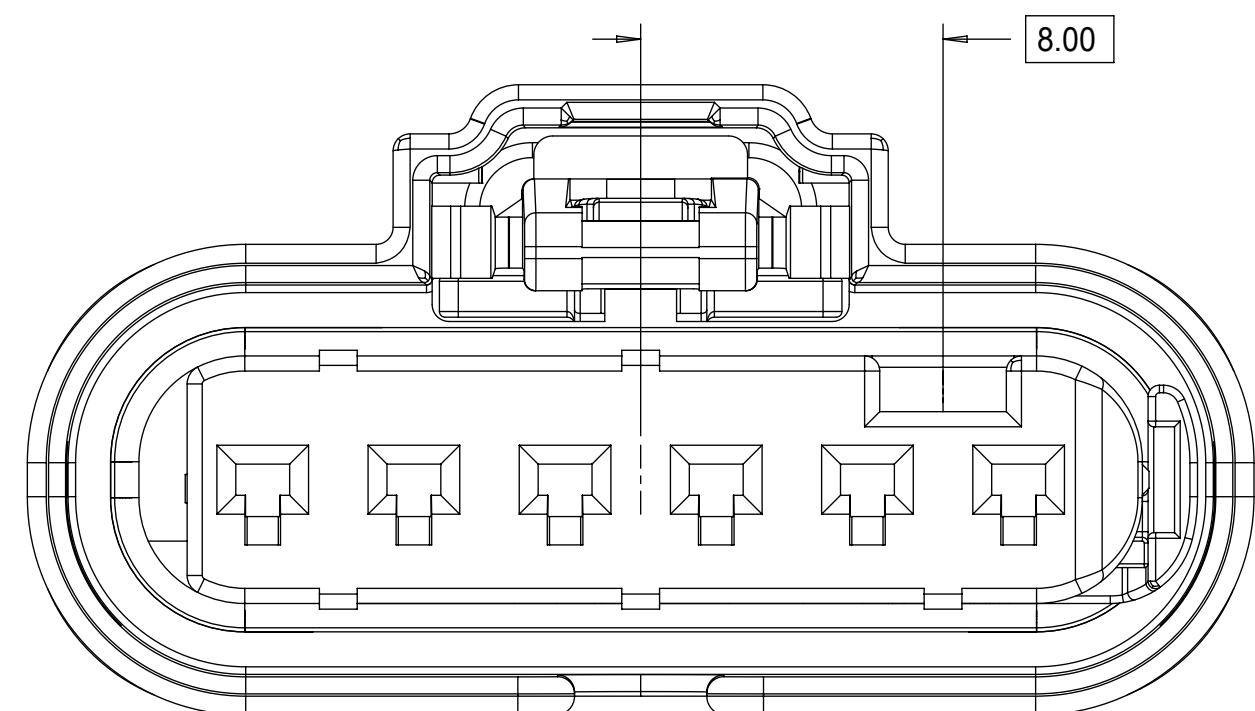
KEYING OPTION A




KEYING OPTION B



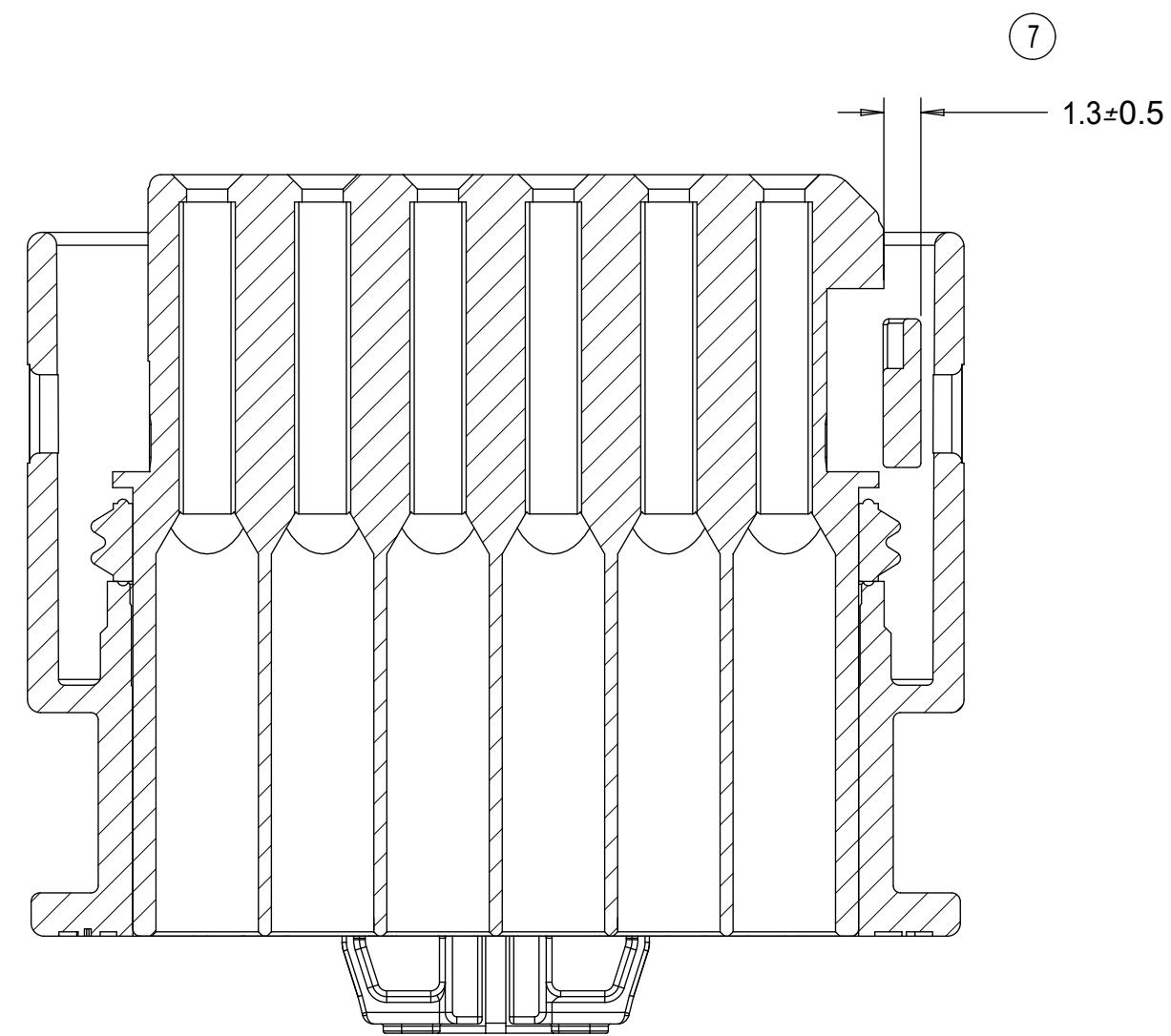
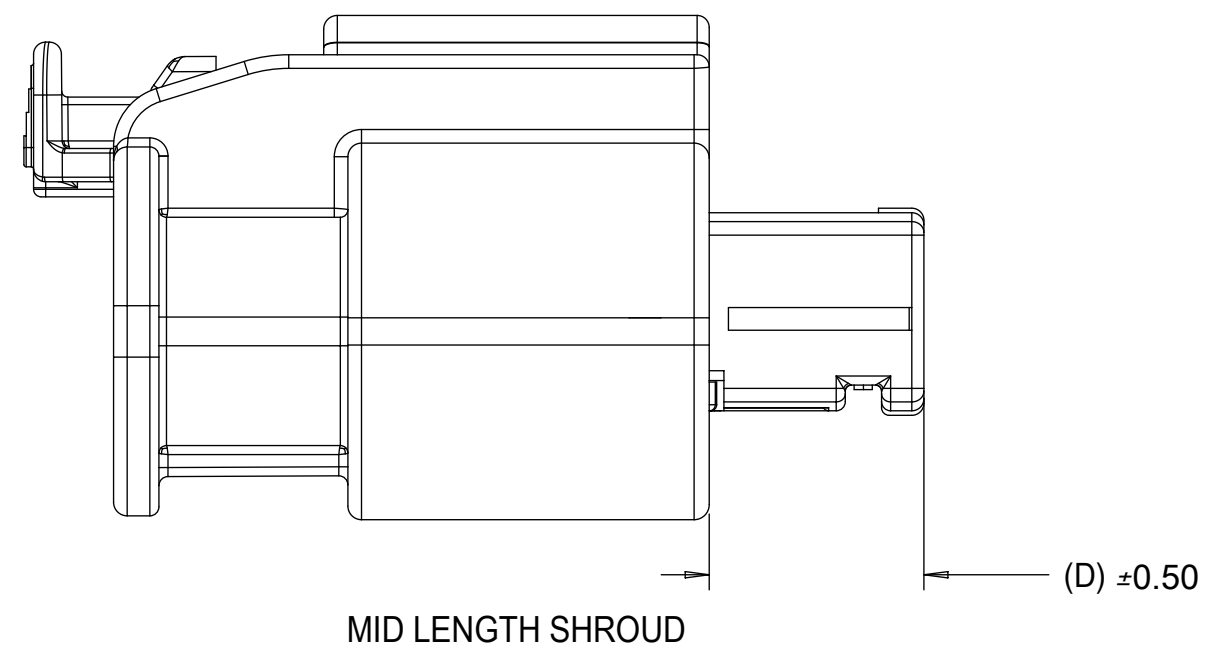
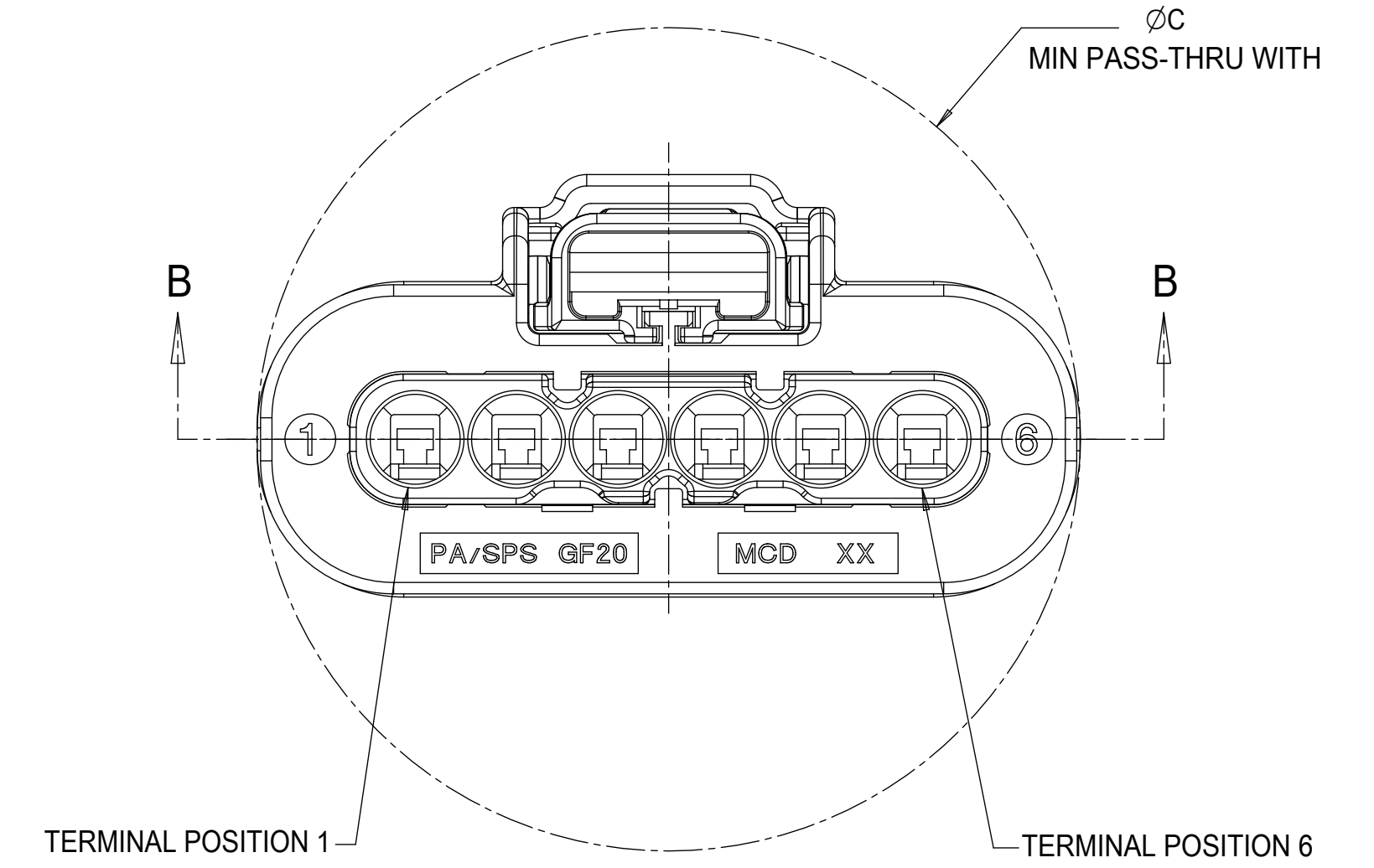
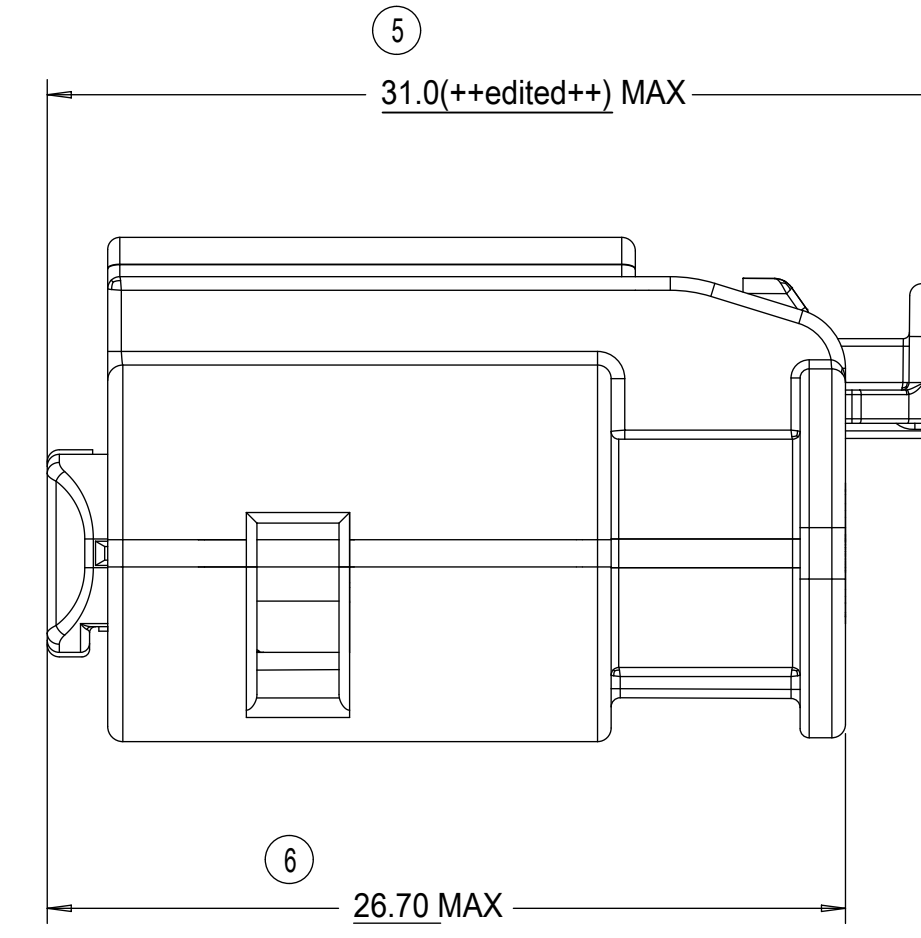
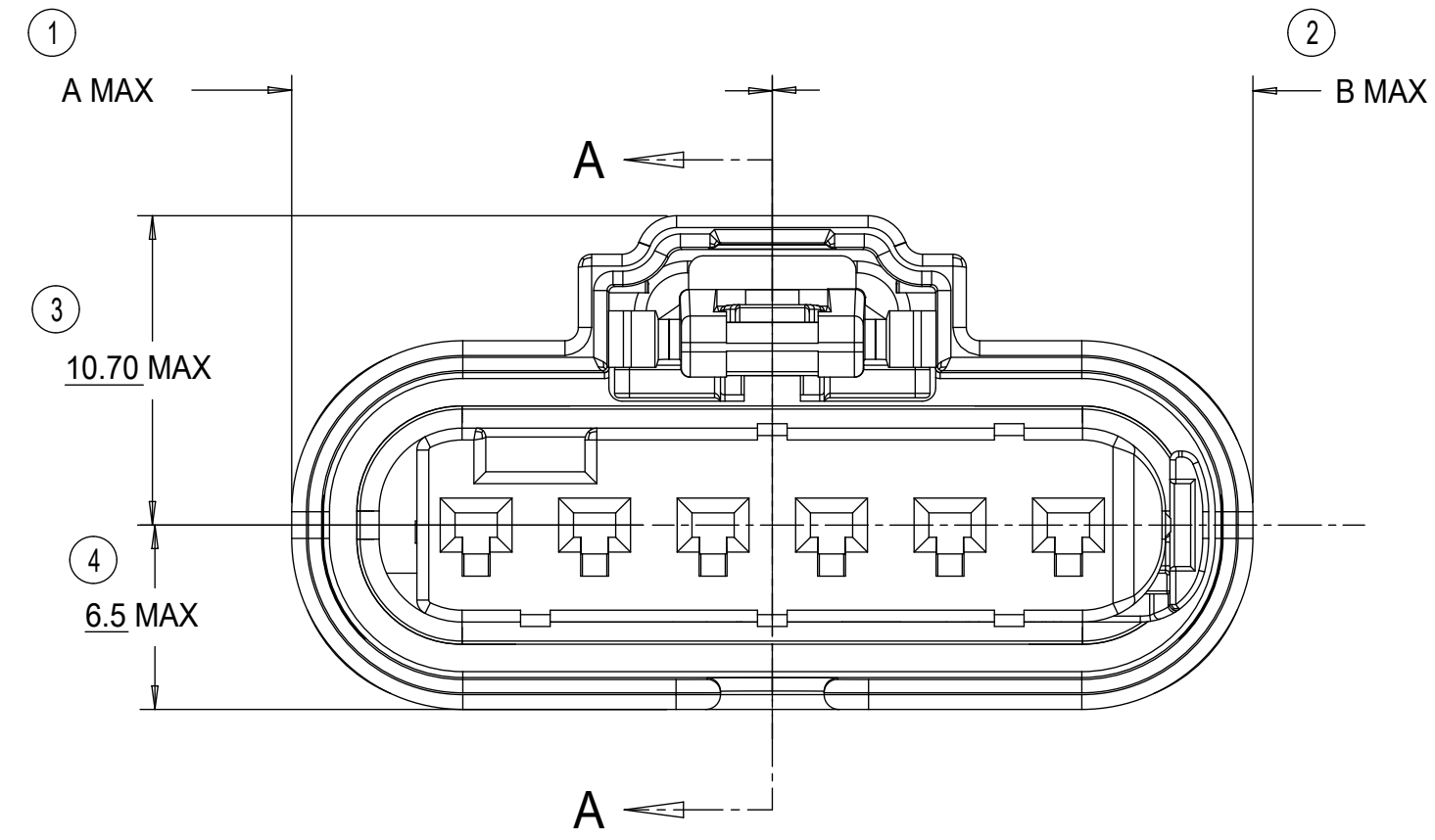
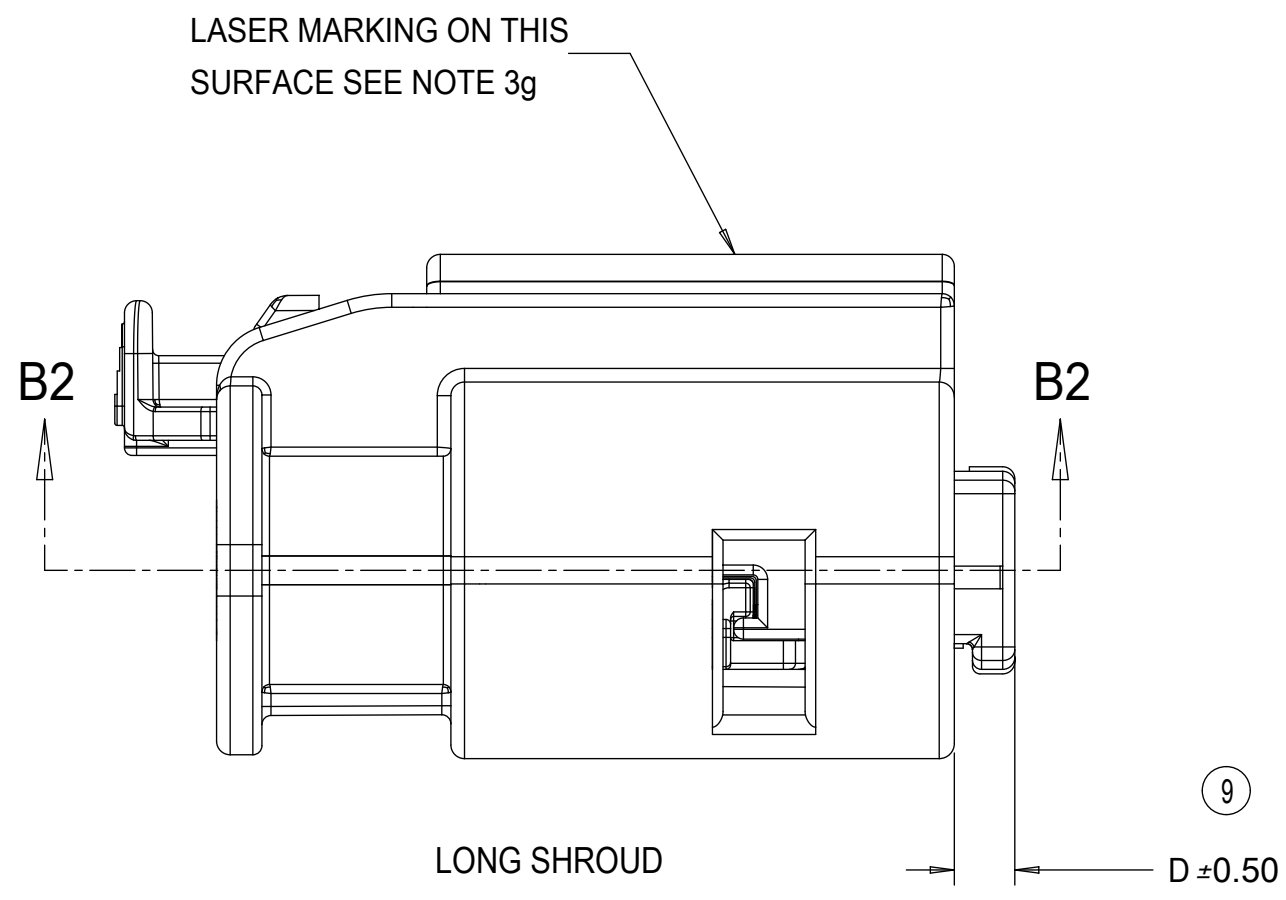
KEYING OPTION C



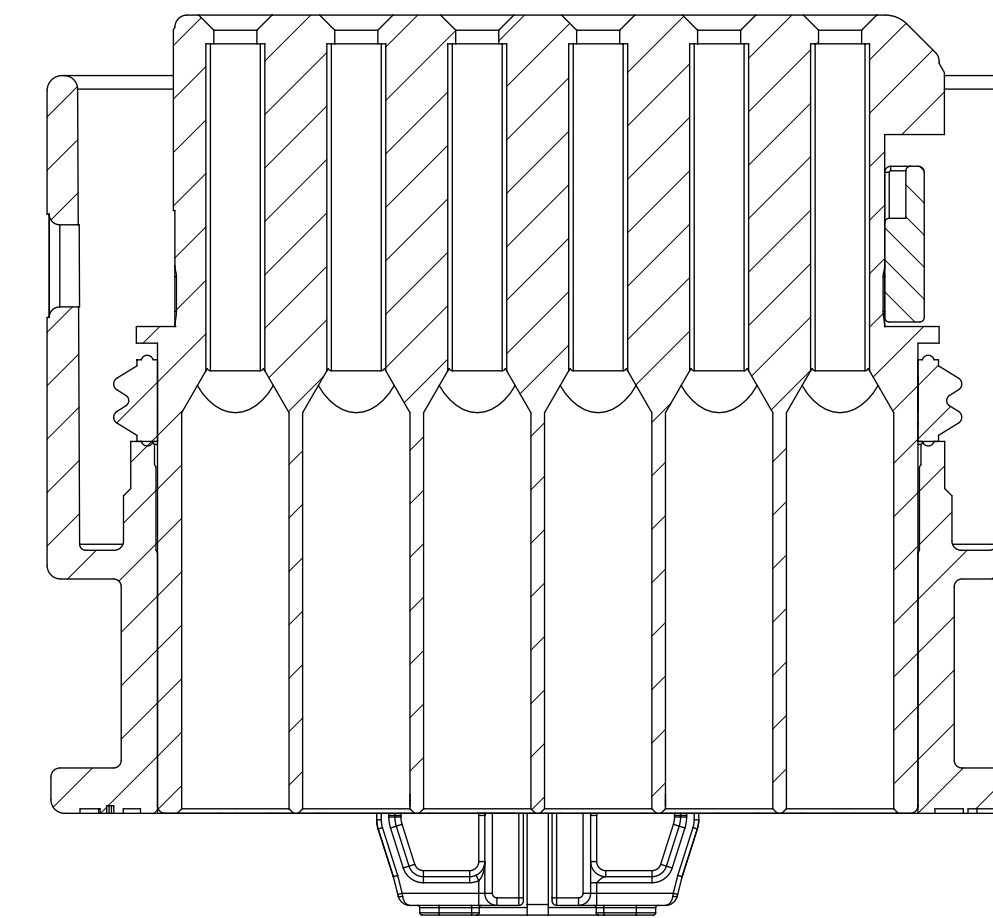
KEYING OPTION D

THIS DRAWING CONTAINS INFORMATION THAT IS PROPRIETARY TO MOLEX ELECTRONIC TECHNOLOGIES, LLC AND SHOULD NOT BE USED WITHOUT WRITTEN PERMISSION											
QUALITY SYMBOLS	2020/06/17 2020/06/23 2020/06/23		GENERAL TOLERANCES (UNLESS SPECIFIED)		DIMENSION UNITS	SCALE	 1.2MM 1X4, 1X6 RECPT. SEALED ASSEMBLY CABLE SEAL 626759 - CHANGED CPA2 TO CPA2. ROLLING CHANGE AT GM.				
	A17		4 PLACES ±		mm	5:1					
▽ = 0	EC NO: 639764 DRWN: GELLIOTTO1 CHKD: KBORUSZEWSKI REV APPR: KBORUSZEWSKI	ANGULAR TOL ± °		DRWN BY	DATE	PRODUCT CUSTOMER DRAWING SERIES: 34900 MATERIAL NUMBER: SEE BOM CUSTOMER: GENERAL MARKET					
▽ = 0		3 PLACES ±		MVANSLAMBROU	2012/05/03						
▽ = 0		2 PLACES ± 0.1		CHKD BY	DATE	DOCUMENT NUMBER: SD-34900-6001 DOC TYPE: PSD DOC PART: 001 SHEET NUMBER: 3 OF 7					
▽ = 0		1 PLACE ± 0.2		APPR BY	DATE						
▽ = 0		0 PLACES ± 0.5		GGA	2012/12/13	DRAWING SIZE: D		THIRD ANGLE PROJECTION			
▽ = 0		DRAFT WHERE APPLICABLE MUST REMAIN WITHIN DIMENSIONS									

# RECEPTACLE SEALED ASSEMBLY



**SECTION B-B**  
INDEPENDENT SECONDARY LOCK (ISL)  
SHOWN IN THE PRE-STAGED POSITION



**SECTION B2-B2**  
INDEPENDENT SECONDARY LOCK (ISL)  
SHOWN IN THE FINAL-LOCK POSITION

DESCRIPTION	A	B	C	D
1x6 MID LENGTH SHROUD	16.5	16.5	33.0	6.70
1x4 MID LENGTH SHROUD	16.5	16.5	25.0	6.70
1x6 LONG SHROUD	16.5	16.5	33.0	2.00
1x4 LONG SHROUD	12.5	12.5	25.0	2.00
DESCRIPTION	A	B	C	D

**CHARTED DIMENSIONS**

<b>QUALITY SYMBOLS</b> □ = 0 ▽ = 0 ▽ = 0 ▽ = 0 ▽ = 0 ▽ = 0 ▽ = 0 ▽ = 0 ▽ = 0 ▽ = 0 ▽ = 0 ▽ = 0 ▽ = 0	THIS DRAWING CONTAINS INFORMATION THAT IS PROPRIETARY TO MOLEX ELECTRONIC TECHNOLOGIES, LLC AND SHOULD NOT BE USED WITHOUT WRITTEN PERMISSION				
	EC NO: 639764 DRWN: GELLIOTTO1 CHKD: KBORUSZEWSKI REV APPR: KBORUSZEWSKI	2020/06/17 2020/06/23 2020/06/23	GENERAL TOLERANCES (UNLESS SPECIFIED) ANGULAR TOL ± ° 4 PLACES ± 3 PLACES ± 2 PLACES ± 0.1 1 PLACE ± 0.2 0 PLACES ± 0.5 DRAFT WHERE APPLICABLE MUST REMAIN WITHIN DIMENSIONS	DIMENSION UNITS: mm SCALE: 4:1 DRWN BY: MVANSLAMBROU DATE: 2012/05/03 CHKD BY: DATE: APPR BY: GGA DATE: 2012/12/13 DRAWING SIZE: D THIRD ANGLE PROJECTION	
	1.2MM 1X4, 1X6 RECPT. SEALED ASSEMBLY CABLE SEAL 626759 - CHANGED CPA2 TO CPA2. ROLLING CHANGE AT GM.			PRODUCT CUSTOMER DRAWING	
	A17	SERIES: 34900 MATERIAL NUMBER: SEE BOM CUSTOMER: GENERAL MARKET	DOCUMENT NUMBER: SD-34900-6001 DOC TYPE: PSD DOC PART: 001 SHEET NUMBER: 4 OF 7	CUSTOMER:	

# 1X4 RECEPTACLE SEALED ASSEMBLY BOM SHEET 1

KEY OPTION	ASSEMBLY DESCRIPTION	CONNECTOR HOUSING COLOR	TERMINAL HOUSING COLOR	OUTER HOUSING SHROUD LENGTH	ASSEMBLY PART NUMBER	CHB	CHY	CHMB	A	B	C	D	E	F	G	CPA1	CPA2	PRODUCTION TOOL STATUS	COMMENTS	DESIGNED TO MATE WITH DEVICE CONNECTION	
KEY OPTION G	BLACK	LIGHT GRAY	LONG	34900-4226	CHB										G	CPA2	SALABLE			1	2
KEY OPTION F	BLACK	BLACK	LONG	34900-4225	CHB									F		CPA2	SALABLE			1	2
KEY OPTION E	BLACK	DARK GRAY	LONG	34900-4224	CHB								E			CPA2	SALABLE			1	2
KEY OPTION D	BLACK	LIGHT GRAY	LONG	34900-4223	CHB							D				CPA2	SALABLE			1	2
KEY OPTION C	BLACK	DARK GRAY	LONG	34900-4222	CHB							C				CPA2	SALABLE			1	2
KEY OPTION B	BLACK	STONE GRAY	LONG	34900-4221	CHB							B				CPA2	SALABLE			1	2
KEY OPTION A	BLACK	BLACK	LONG	34900-4220	CHB							A				CPA2	SALABLE			1	2
KEY OPTION G	YELLOW	LIGHT GRAY	LONG	34900-4216	CHY										G	CPA2	SALABLE			1	2
KEY OPTION F	YELLOW	BLACK	LONG	34900-4215	CHY									F		CPA2	SALABLE			1	2
KEY OPTION E	YELLOW	DARK GRAY	LONG	34900-4214	CHY								E			CPA2	SALABLE			1	2
KEY OPTION D	YELLOW	LIGHT GRAY	LONG	34900-4213	CHY							D				CPA2	SALABLE			1	2
KEY OPTION C	YELLOW	DARK GRAY	LONG	34900-4212	CHY							C				CPA2	SALABLE			1	2
KEY OPTION B	YELLOW	STONE GRAY	LONG	34900-4211	CHY							B				CPA2	SALABLE			1	2
KEY OPTION A	YELLOW	BLACK	LONG	34900-4210	CHY							A				CPA2	SALABLE			1	2
KEY OPTION G	BLACK	LIGHT GRAY	MID LENGTH	34900-4136				CHMB							G	CPA2	CONCEPT			1	2
KEY OPTION F	BLACK	BLACK	MID LENGTH	34900-4135				CHMB						F		CPA2	CONCEPT			1	2
KEY OPTION E	BLACK	DARK GRAY	MID LENGTH	34900-4134				CHMB					E			CPA2	CONCEPT			1	2
KEY OPTION D	BLACK	LIGHT GRAY	MID LENGTH	34900-4133				CHMB				D				CPA2	CONCEPT			1	2
KEY OPTION C	BLACK	DARK GRAY	MID LENGTH	34900-4132				CHMB				C				CPA2	CONCEPT			1	2
KEY OPTION B	BLACK	STONE GRAY	MID LENGTH	34900-4131				CHMB				B				CPA2	CONCEPT			1	2
KEY OPTION A	BLACK	BLACK	MID LENGTH	34900-4130				CHMB				A				CPA2	CONCEPT			1	2
KEY OPTION G	BLACK	LIGHT GRAY	LONG	34900-4126	CHB										G	CPA1	SALABLE			1	2
KEY OPTION F	BLACK	BLACK	LONG	34900-4125	CHB									F		CPA1	SALABLE			1	2
KEY OPTION E	BLACK	DARK GRAY	LONG	34900-4124	CHB								E			CPA1	SALABLE			1	2
KEY OPTION D	BLACK	LIGHT GRAY	LONG	34900-4123	CHB							D				CPA1	SALABLE			1	2
KEY OPTION C	BLACK	DARK GRAY	LONG	34900-4122	CHB							C				CPA1	SALABLE			1	2
KEY OPTION B	BLACK	STONE GRAY	LONG	34900-4121	CHB							B				CPA1	SALABLE			1	2
KEY OPTION A	BLACK	BLACK	LONG	34900-4120	CHB							A				CPA1	SALABLE			1	2
KEY OPTION G	YELLOW	LIGHT GRAY	LONG	34900-4116	CHY										G	CPA1	SALABLE			1	2
KEY OPTION F	YELLOW	BLACK	LONG	34900-4115	CHY									F		CPA1	SALABLE			1	2
KEY OPTION E	YELLOW	DARK GRAY	LONG	34900-4114	CHY								E			CPA1	SALABLE			1	2
KEY OPTION D	YELLOW	LIGHT GRAY	LONG	34900-4113	CHY							D				CPA1	SALABLE			1	2
KEY OPTION C	YELLOW	DARK GRAY	LONG	34900-4112	CHY							C				CPA1	SALABLE			1	2
KEY OPTION B	YELLOW	STONE GRAY	LONG	34900-4111	CHY							B				CPA1	SALABLE			1	2
KEY OPTION A	YELLOW	BLACK	LONG	34900-4110	CHY							A				CPA1	SALABLE			1	2

DESCRIPTION	COLOR	MATERIAL	COMMENTS
RING SEAL	LIGHT BLUE	INHERENTLY LUBRICATED SILICONE	
ISL	NATURAL	SPS/NYLON GF20	
CPA2	RED	PBT GF30	
CPA1	RED	PBT GF30	
TERMINAL HOUSING KEYING OPTION G	LIGHT GRAY	SPS/NYLON GF20	
TERMINAL HOUSING KEYING OPTION F	BLACK	SPS/NYLON GF20	
TERMINAL HOUSING KEYING OPTION E	DARK GRAY	SPS/NYLON GF20	
TERMINAL HOUSING KEYING OPTION D	LIGHT GRAY	SPS/NYLON GF20	
TERMINAL HOUSING KEYING OPTION C	DARK GRAY	SPS/NYLON GF20	
TERMINAL HOUSING KEYING OPTION B	STONE GRAY	SPS/NYLON GF20	
TERMINAL HOUSING KEYING OPTION A	BLACK	SPS/NYLON GF20	
MID LENGTH CONNECTOR HOUSING	BLACK	SPS/NYLON GF20	
CONNECTOR HOUSING	BLACK	SPS/NYLON GF20	UPDATED LATCH
CONNECTOR HOUSING	YELLOW	SPS/NYLON GF20	UPDATED LATCH
WIRE DRESS COVER STRAIGHT	BLACK	PA66	
WIRE DRESS COVER LEFT	BLACK	PA66	SOLD SEPARATELY SEE SD-160091-0001
WIRE DRESS COVER RIGHT	BLACK	PA66	

ABREVIATION	COMPONENT
CHY	CONNECTOR HOUSING YELLOW
CHB	CONNECTOR HOUSING BLACK
CHBM	CONNECTOR HOUSING BLACK MID SHROUD
A	TERMINAL HOUSING KEY A
B	TERMINAL HOUSING KEY B
C	TERMINAL HOUSING KEY C
D	TERMINAL HOUSING KEY D
E	TERMINAL HOUSING KEY E
F	TERMINAL HOUSING KEY F
G	TERMINAL HOUSING KEY G
CPA1	CPA VERSION 1
CPA2	CPA VERSION 2
ISL	ISL
RING SEAL	RING SEAL
1	USCAR INTERFACE 120-S-004-1-Z02 SEE NOTE 1f FOR WEBSITE
2	MOLEX INLINE BLADE CONNECTOR SD-34899-6001

<b>QUALITY SYMBOLS</b> 	THIS DRAWING CONTAINS INFORMATION THAT IS PROPRIETARY TO MOLEX ELECTRONIC TECHNOLOGIES, LLC AND SHOULD NOT BE USED WITHOUT WRITTEN PERMISSION			
	EC NO: 639764 DRWN: GELIOTT01 CHKD: KBORUSZEWSKI REV APPR: KBORUSZEWSKI	2020/06/17 2020/06/23 2020/06/23	GENERAL TOLERANCES (UNLESS SPECIFIED) ANGULAR TOL ± ° 4 PLACES ± 3 PLACES ± 2 PLACES ± 0.1 1 PLACE ± 0.2 0 PLACES ± 0.5	DIMENSION UNITS: mm SCALE: 5:1 DRWN BY: MVANSLAMBROU DATE: 2012/05/03 CHKD BY: DATE APPR BY: GGA DATE: 2012/12/13
	DRAFT WHERE APPLICABLE MUST REMAIN WITHIN DIMENSIONS		DRAWING SIZE: D THIRD ANGLE PROJECTION	PRODUCT CUSTOMER DRAWING SERIES: 34900 MATERIAL NUMBER: SEE BOM CUSTOMER: GENERAL MARKET
	RELEASE STATUS: P1 RELEASE DATE: 2020/06/23 16:54:53	DOCUMENT NUMBER: SD-34900-6001 DOC TYPE: PSD DOC PART: 001 SHEET NUMBER: 5 OF 7		MOLEX® 1.2MM 1X4, 1X6 RECPT. SEALED ASSEMBLY CABLE SEAL 626759 - CHANGED CPA2 TO CPA1. ROLLING CHANGE AT GM.

# 1X6 RECEPTACLE SEALED ASSEMBLY BOM SHEET 1

KEYING OPTION D	BLACK	STONE GRAY	MID LENGTH	34900-6230			CHMB			D	CPA2	SALABLE		1		3
KEYING OPTION C	BLACK	DARK GRAY	MID LENGTH	34900-6221			CHMB		C		CPA2	SALABLE		1		3
KEYING OPTION B	BLACK	LIGHT GRAY	MID LENGTH	34900-6228			CHMB	B			CPA2	SALABLE		1		3
KEYING OPTION A	BLACK	BLACK	MID LENGTH	34900-6219			CHMB	A			CPA2	SALABLE		1		3
KEYING OPTION D	BLACK	STONE GARY	LONG	34900-6243			CHLB			D	CPA2	SALABLE		1	2	
KEYING OPTION C	BLACK	DARK GRAY	LONG	34900-6242			CHLB		C		CPA2	SALABLE		1	2	
KEYING OPTION B	BLACK	LIGHT GRAY	LONG	34900-6241			CHLB	B			CPA2	SALABLE		1	2	
KEYING OPTION A	BLACK	BLACK	LONG	34900-6240			CHLB	A			CPA2	SALABLE		1	2	
KEYING OPTION D	YELLOW	STONE GRAY	LONG	34900-6213	CHLY					D	CPA2	SALABLE		1	2	
KEYING OPTION C	YELLOW	DARK GRAY	LONG	34900-6212	CHLY				C		CPA2	SALABLE		1	2	
KEYING OPTION B	YELLOW	LIGHT GRAY	LONG	34900-6211	CHLY			B			CPA2	SALABLE		1	2	
KEYING OPTION A	YELLOW	BLACK	LONG	34900-6210	CHLY			A			CPA2	SALABLE		1	2	
KEYING OPTION D	BLACK	STONE GRAY	MID LENGTH	34900-6130			CHMB			D	CPA1	SALABLE		1		3
KEYING OPTION C	BLACK	DARK GRAY	MID LENGTH	34900-6121			CHMB		C		CPA1	SALABLE		1		3
KEYING OPTION B	BLACK	LIGHT GRAY	MID LENGTH	34900-6128			CHMB	B			CPA1	SALABLE		1		3
KEYING OPTION A	BLACK	BLACK	MID LENGTH	34900-6119			CHMB	A			CPA1	SALABLE		1		3
KEYING OPTION D	BLACK	STONE GARY	LONG	34900-6143			CHLB			D	CPA1	SALABLE		1	2	
KEYING OPTION C	BLACK	DARK GRAY	LONG	34900-6142			CHLB		C		CPA1	SALABLE		1	2	
KEYING OPTION B	BLACK	LIGHT GRAY	LONG	34900-6141			CHLB	B			CPA1	SALABLE		1	2	
KEYING OPTION A	BLACK	BLACK	LONG	34900-6140			CHLB	A			CPA1	SALABLE		1	2	
KEYING OPTION D	YELLOW	STONE GRAY	LONG	34900-6113	CHLY					D	CPA1	SALABLE		1	2	
KEYING OPTION C	YELLOW	DARK GRAY	LONG	34900-6112	CHLY				C		CPA1	SALABLE		1	2	
KEYING OPTION B	YELLOW	LIGHT GRAY	LONG	34900-6111	CHLY			B			CPA1	SALABLE		1	2	
KEYING OPTION A	YELLOW	BLACK	LONG	34900-6110	CHLY			A			CPA1	SALABLE		1	2	
ASSEMBLY DESCRIPTION	CONNECTOR HOUSING COLOR	TERMINAL CAVITY COLOR	OUTER HOUSING SHROUD LENGTH	ASSEMBLY PART NUMBER				A	B	C	D	CPA1	CPA2	STATUS	COMMENTS	DESIGNED TO MATE WITH DEVICE CONNECTION

DESCRIPTION	COLOR	MATERIAL	COMMENTS
RING SEAL	BURNT RED	INHERENTLY LUBRICATED SILICONE	
ISL	NATURAL	SPS/NYLON GF20	
CPA2	RED	PBT GF30	
CPA1	RED	PBT GF30	
TERMINAL HOUSING KEYING OPTION D	STONE GRAY	SPS/NYLON GF20	
TERMINAL HOUSING KEYING OPTION C	DARK GRAY	SPS/NYLON GF20	
TERMINAL HOUSING KEYING OPTION B	LIGHT GRAY	SPS/NYLON GF20	
TERMINAL HOUSING KEYING OPTION A	BLACK	SPS/NYLON GF20	
CONNECTOR HOUSING MID LENGTH	BLACK	SPS/NYLON GF20	UPDATED LATCH
CONNECTOR HOUSING LONG	BLACK	SPS/NYLON GF20	UPDATED LATCH
CONNECTOR HOUSING LONG	YELLOW	SPS/NYLON GF20	UPDATED LATCH
WIRE DRESS COVER STRAIGHT	BLACK	PA66	SOLD SEPARATELY SEE SD-160091-0001
WIRE DRESS COVER LEFT	BLACK	PA66	
WIRE DRESS COVER RIGHT	BLACK	PA66	

BOM / APPLICABLE COMPONENTS TABLE

ABREVIATION	COMPONENT
CHLY	CONNECTOR HOUSING LONG YELLOW
CHLB	CONNECTOR HOUSING LONG BLACK
CHMB	CONNECTOR HOUSING MEDIUM BLACK
A	TERMINAL HOUSING KEY A
B	TERMINAL HOUSING KEY B
C	TERMINAL HOUSING KEY C
D	TERMINAL HOUSING KEY D
CPA1	CPA VERSION 1
CPA2	CPA VERSION 2
ISL	ISL
RING SEAL	RING SEAL
1	USCAR INTERFACE 120-S-006-1-Z02 SEE NOTE 1f FOR WEBSITE
2	MOLEX INLINE BLADE CONNECTOR SD-34899-6001
3	USCAR INTERFACE 120-S-006-1-Z04 SEE NOTE 1f FOR WEBSITE

<b>QUALITY SYMBOLS</b> 	THIS DRAWING CONTAINS INFORMATION THAT IS PROPRIETARY TO MOLEX ELECTRONIC TECHNOLOGIES, LLC AND SHOULD NOT BE USED WITHOUT WRITTEN PERMISSION		
	EC NO: 639764 DRWN: GELLIOTTO1 CHKD: KBORUSZEWSKI REV APPR: KBORUSZEWSKI	2020/06/17 2020/06/23 2020/06/23	GENERAL TOLERANCES (UNLESS SPECIFIED) DIMENSION UNITS: mm SCALE: 2:1 ANGULAR TOL ± ° 4 PLACES ± 3 PLACES ± 2 PLACES ± 0.1 1 PLACE ± 0.2 0 PLACES ± 0.5 DRAFT WHERE APPLICABLE MUST REMAIN WITHIN DIMENSIONS
	DRWN BY: MVANSLAMBROU CHKD BY: GGA APPR BY: GGA DATE: 2012/05/03 DATE: 2012/12/13	DATE: 2012/05/03 DATE: 2012/12/13	DIMENSION UNITS: mm SCALE: 2:1 DRWN BY: MVANSLAMBROU DATE: 2012/05/03 CHKD BY: GGA DATE: 2012/12/13 APPR BY: GGA DATE: 2012/12/13
	EC NO: 639764 DRWN: GELLIOTTO1 CHKD: KBORUSZEWSKI REV APPR: KBORUSZEWSKI	2020/06/17 2020/06/23 2020/06/23	DIMENSION UNITS: mm SCALE: 2:1 DRWN BY: MVANSLAMBROU DATE: 2012/05/03 CHKD BY: GGA DATE: 2012/12/13 APPR BY: GGA DATE: 2012/12/13

1.2MM 1X4, 1X6 RECPT.  
SEALED ASSEMBLY CABLE SEAL 626759 - CHANGED CPA2 TO CPA2. ROLLING CHANGE AT GM.

PRODUCT CUSTOMER DRAWING

SERIES: 34900	MATERIAL NUMBER: SEE TABLE	CUSTOMER: GENERAL MARKET
DOCUMENT NUMBER: SD-34900-6001	DOC TYPE: PSD	DOC PART SHEET NUMBER: 001 6 OF 7

# OBSELETE PART NUMBERS

34900-4026	OBSELETE
34900-4025	OBSELETE
34900-4024	OBSELETE
34900-4023	OBSELETE
34900-4022	OBSELETE
34900-4021	OBSELETE
34900-4020	OBSELETE
34900-4016	OBSELETE
34900-4015	OBSELETE
34900-4014	OBSELETE
34900-4013	OBSELETE
34900-4012	OBSELETE
34900-4011	OBSELETE
34900-4010	OBSELETE
ASSEMBLY PART NUMBER	STATUS

1X4

34900-6030	OBSELETE
34900-6021	OBSELETE
34900-6028	OBSELETE
34900-6019	OBSELETE
34900-6043	OBSELETE
34900-6042	OBSELETE
34900-6041	OBSELETE
34900-6040	OBSELETE
34900-6013	OBSELETE
34900-6012	OBSELETE
34900-6011	OBSELETE
34900-6010	OBSELETE
ASSEMBLY PART NUMBER	STATUS

1X6

THIS DRAWING CONTAINS INFORMATION THAT IS PROPRIETARY TO MOLEX ELECTRONIC TECHNOLOGIES, LLC AND SHOULD NOT BE USED WITHOUT WRITTEN PERMISSION									
DIMENSION UNITS	SCALE	Material:		<b>molex</b>			1.2MM 1X4, 1X6 RECPT. SEALED ASSEMBLY CABLE SEAL 626759 - CHANGED CPA2 TO CPA2. ROLLING CHANGE AT GM.		
mm	1:1	Heat treat:							
GENERAL TOLERANCES (UNLESS SPECIFIED)		Finish:		PRODUCT CUSTOMER DRAWING					
ANGULAR TOL ± °		CURRENT REV DESC:							
4 PLACES	±	EC NO: 639764		DOCUMENT NUMBER: <b>SD-34900-6001</b>   DOC TYPE: PSD   DOC PART: 001   REVISION: A17					
3 PLACES	±	DRWN: GELLIOTT01 2020/06/17							
2 PLACES	± 0.1	CHK'D: KBORUSZEWSKI 2020/06/23		MATERIAL NUMBER: GENERAL MARKET   SHEET NUMBER: 7 OF 7					
1 PLACE	± 0.2	APPR: KBORUSZEWSKI 2020/06/23							
0 PLACES	± 0.5	ORIG DRWN BY: MVANSLAMBROU 2012/05/03							
TOOL NUMBER	THIRD ANGLE PROJECTION	DRAWING	SERIES	MATERIAL NUMBER			CUSTOMER		
		D-SIZE	34900				GENERAL MARKET		