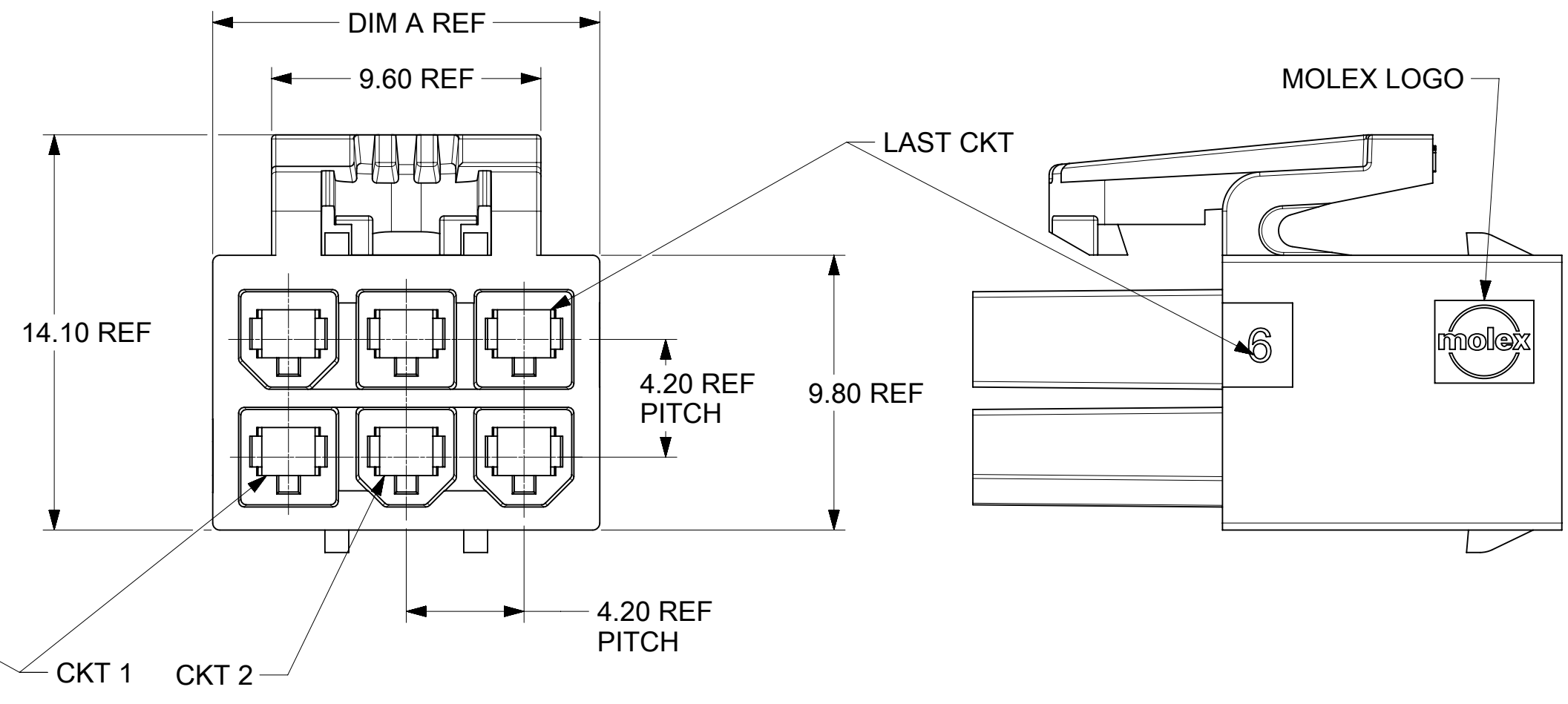
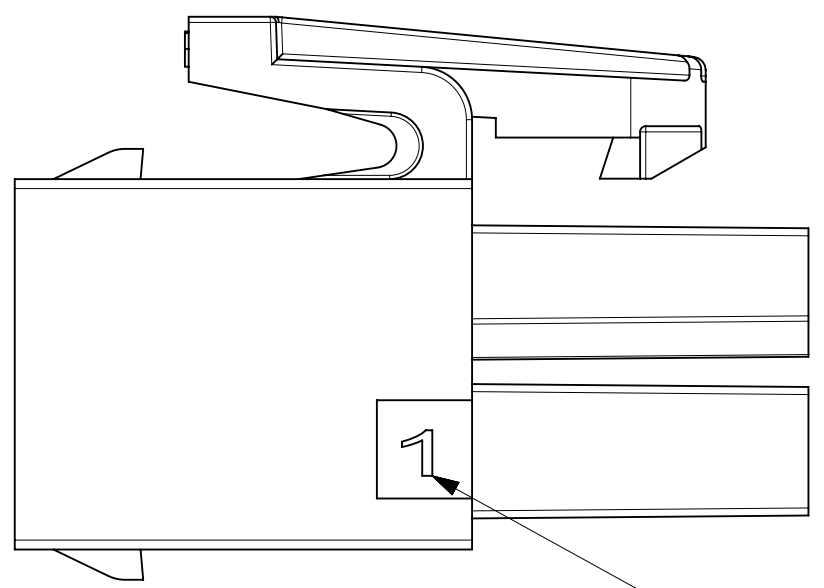
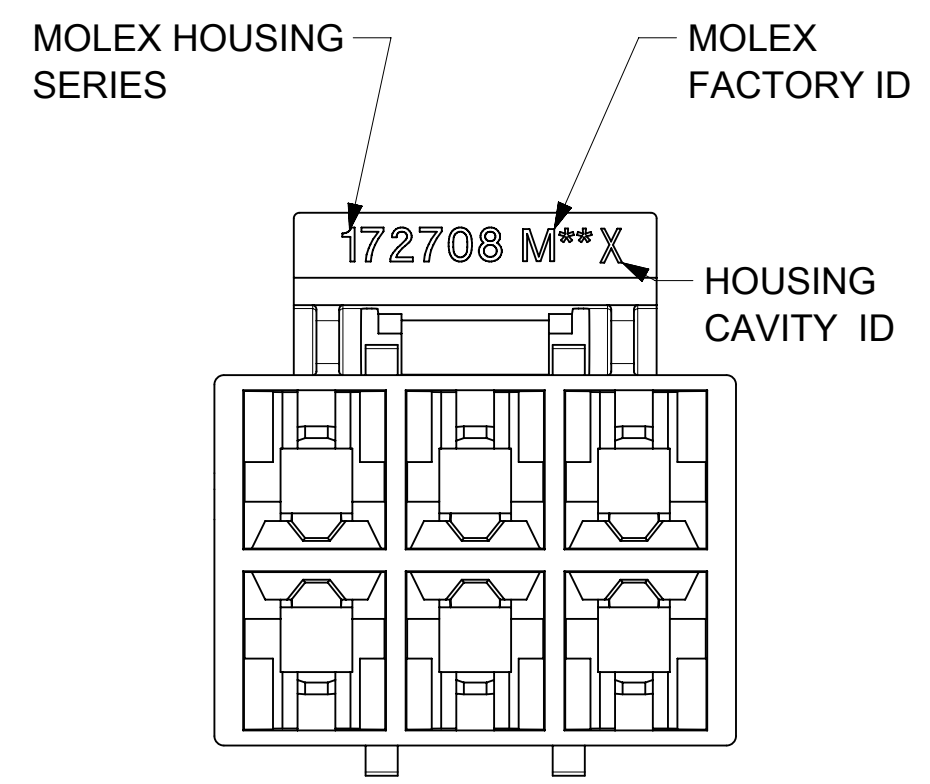
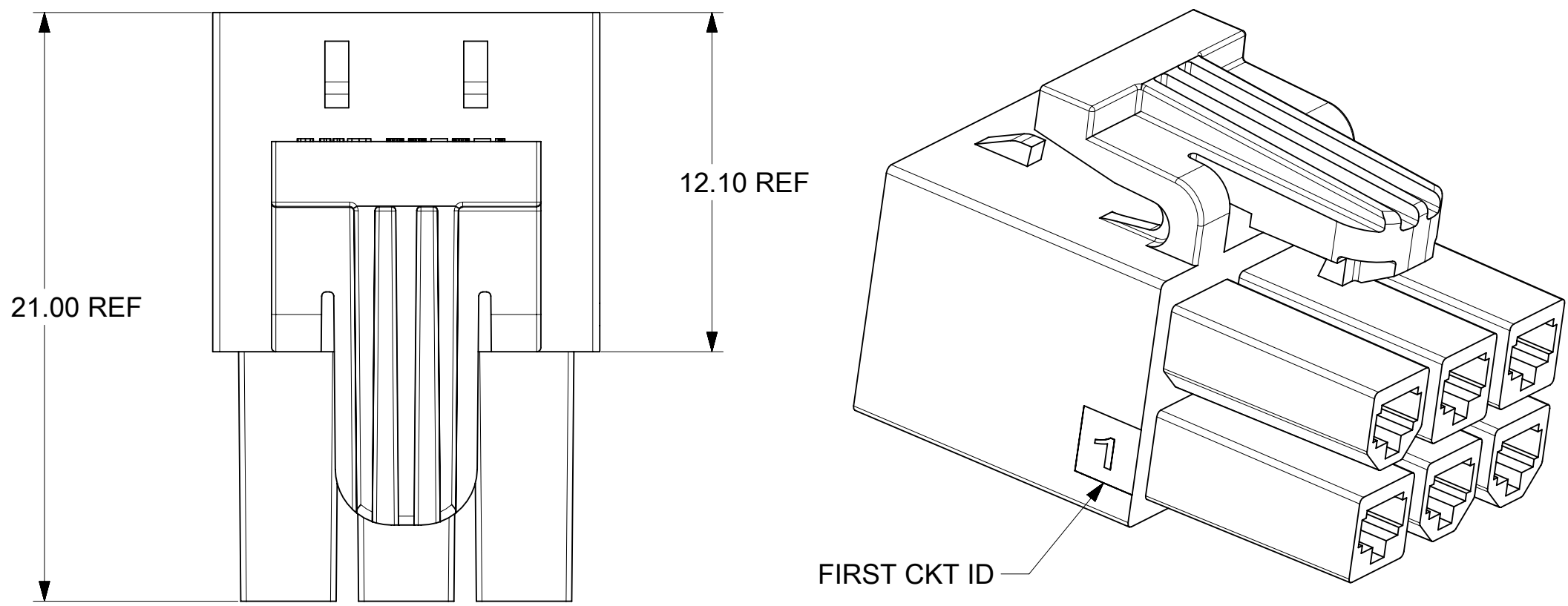


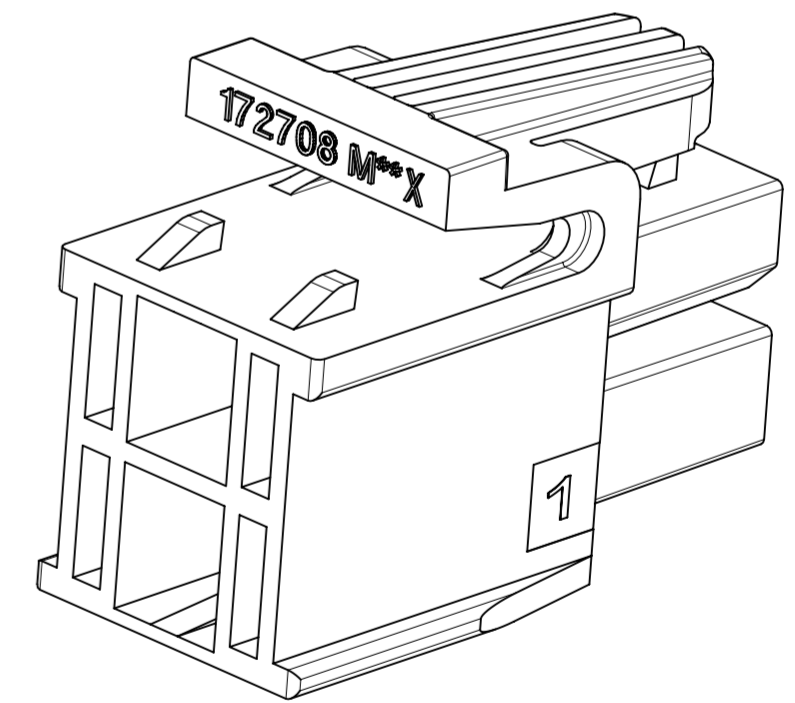
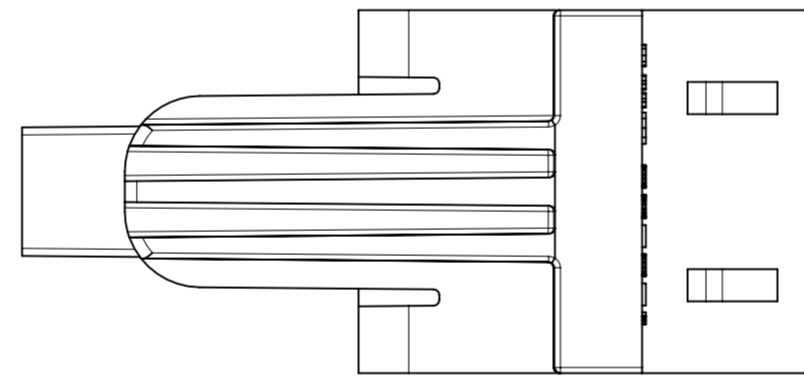
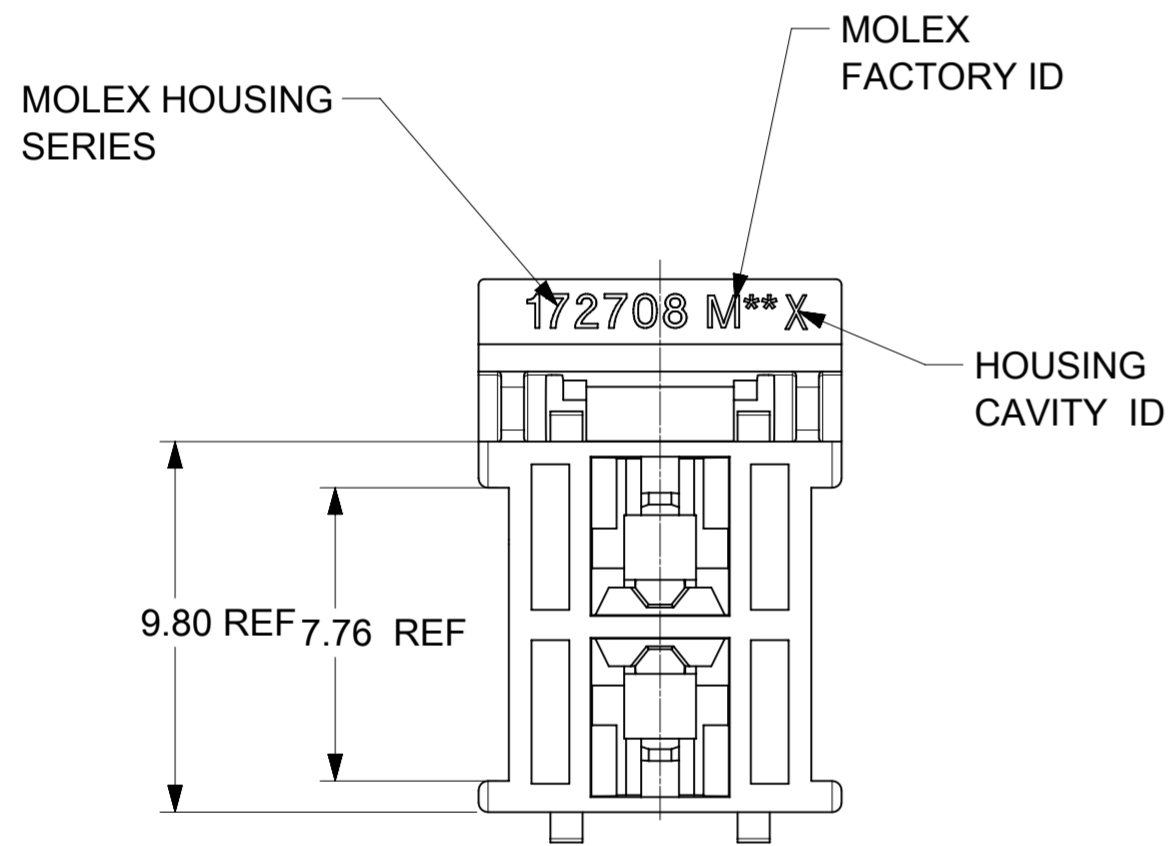
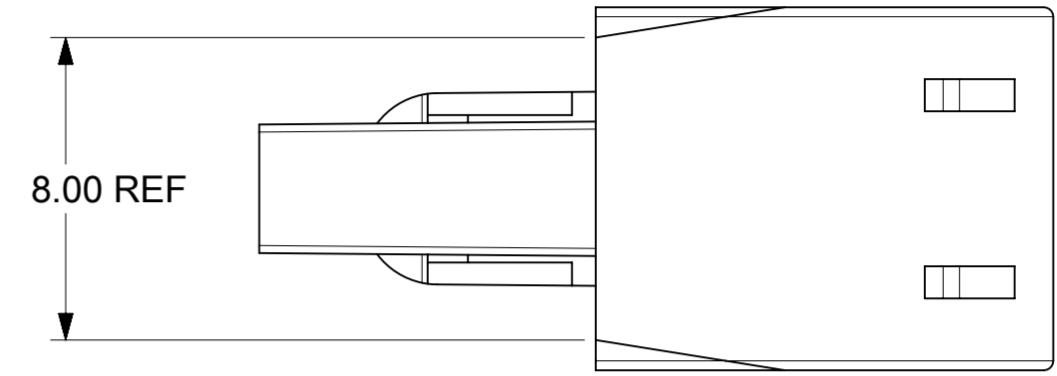
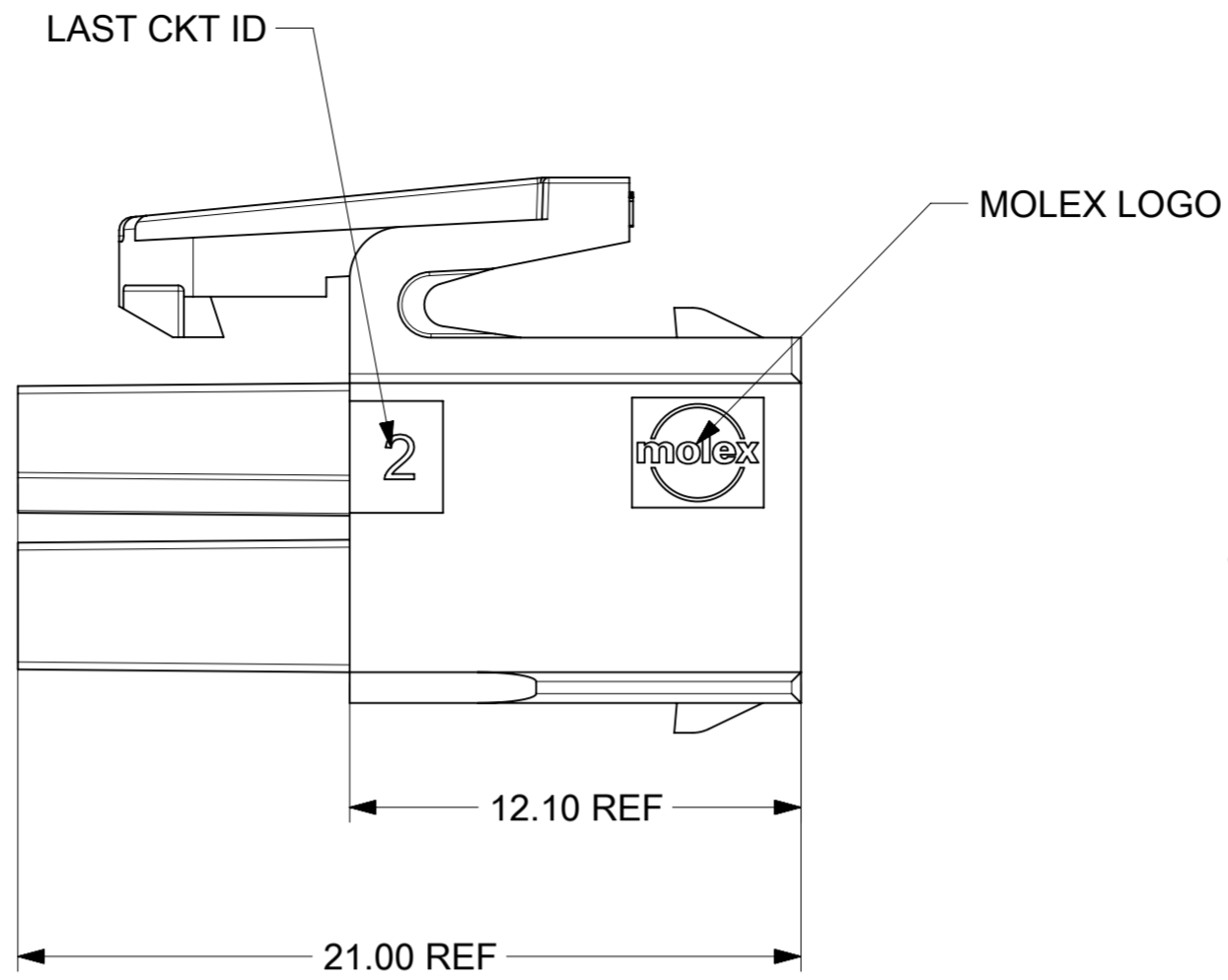
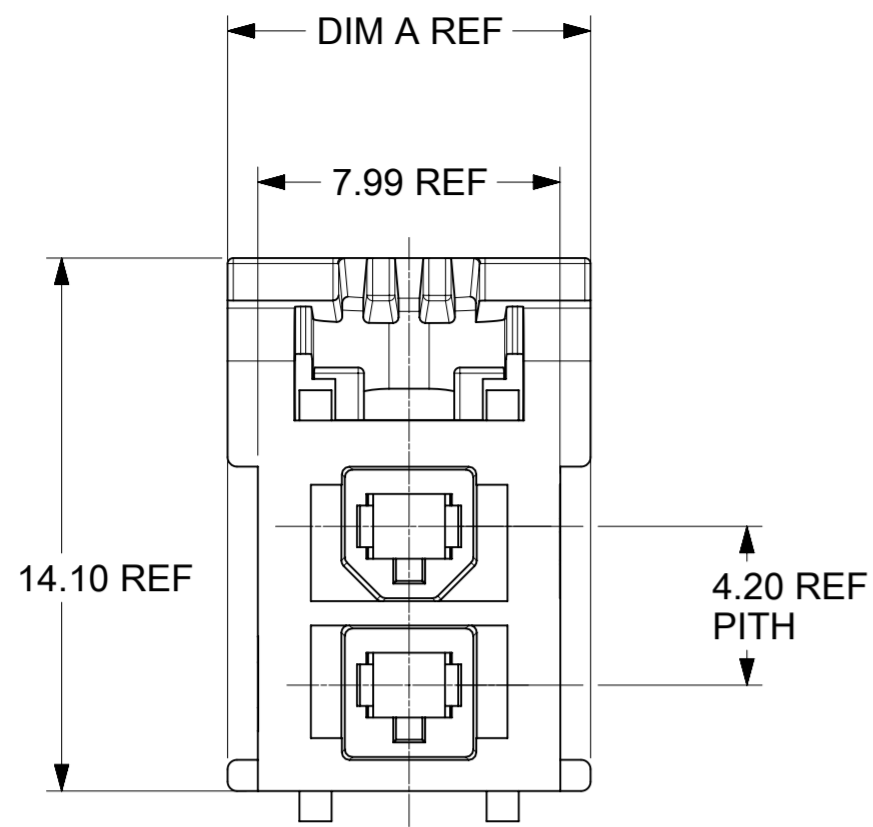
PART NUMBER	CKTS	DIM A
172708-1002	2	9.60
172708-1004	4	9.60
172708-1006	6	13.80
172708-1008	8	18.00
172708-1010	10	22.20
172708-1012	12	26.40
172708-1014	14	30.60
172708-1016	16	34.80
172708-1018	18	39.00



**NOTES:**

1. MATERIAL:  
NYLON, UL 94V-0 AND GLOW WIRE CAPABLE PER IEC60335-1; COLOR: BLACK
2. FINISH: NONE
3. PRODUCT SPECIFICATION: 2131370000-PS, 2029880002-PS  
APPLICATION SPECIFICATION: 2131370000-AS
4. PACKAGING SPECIFICATION: BULK 1727080002-PK  
REFER TO AS-45499-001 FOR MOISTURIZING NYLON CONNECTOR PARTS.
5. THIS PART TO BE USED WITH MOLEX SERIES.  
FEMALE TERMINAL SERIES: 172718, 202988  
TPA SERIES: 172709-2\*\*\*  
PLUG HOUSING SERIES: 172762-1\*\*\*, 172767-3\*\*\*  
HDR SERIES: 35318, 44130, 87427, 172448, 46991, 5569, 5566, 35317, 43460, 87427, 172447 AND 46207.
6. THIS PART CONFORMS TO CLASS 'B' REQUIREMENTS OF COSMETIC SPECIFICATION PS-45499-002.
7. SEE DRAWING 1727090002-SD FOR OTHER TPA INFORMATION.
8. SEE DRAWINGS SD-172718-0000 AND 2029880001-PSD FOR OTHER CRIMP TERMINAL INFORMATION.

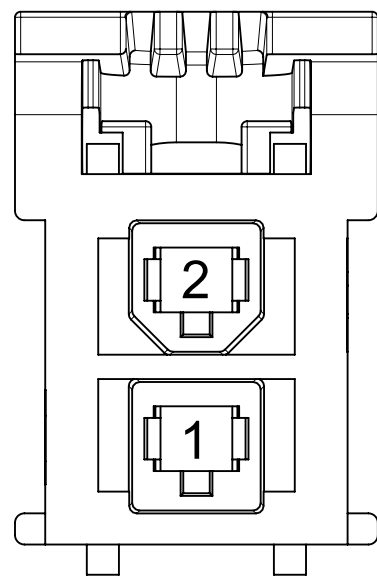
THIS DRAWING CONTAINS INFORMATION THAT IS PROPRIETARY TO MOLEX ELECTRONIC TECHNOLOGIES, LLC AND SHOULD NOT BE USED WITHOUT WRITTEN PERMISSION											
DIMENSION UNITS		SCALE		CURRENT REV DESC:							
mm		NTS									
GENERAL TOLERANCES (UNLESS SPECIFIED)				EC NO: 735375						SD-DRAWING OF MINI-FIT SIGMA REC HOUSING	
ANGULAR TOL ± °				DRWN: XQZHANG 2022/07/08							
4 PLACES ±				CHK'D: XQZHANG 2023/02/01						PRODUCT CUSTOMER DRAWING	
3 PLACES ±				APPR: XQZHANG 2023/02/01							
2 PLACES ± 0.25				INITIAL REVISION:						DOCUMENT NUMBER	
1 PLACE ±				DRWN: ALUO02 2019/06/20							
0 PLACES ±				APPR: AYIN 2019/06/24						1727080002-SD	
DRAFT WHERE APPLICABLE MUST REMAIN WITHIN DIMENSIONS				THIRD ANGLE PROJECTION		DRAWING		SERIES		MATERIAL NUMBER	
						C-SIZE		172708		CUSTOMER	
								GENERAL MARKET		SHEET NUMBER	
								SEE TABLE		1 OF 4	



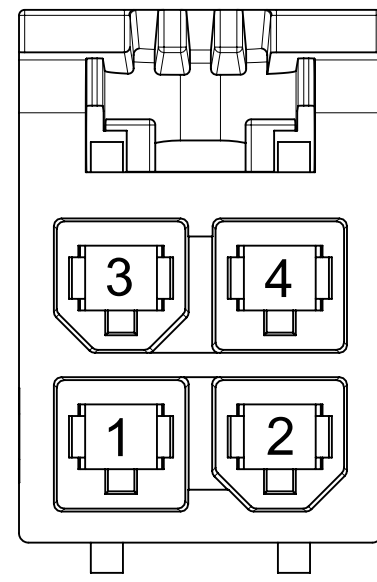
THIS DRAWING CONTAINS INFORMATION THAT IS PROPRIETARY TO MOLEX ELECTRONIC TECHNOLOGIES, LLC AND SHOULD NOT BE USED WITHOUT WRITTEN PERMISSION									
DIMENSION UNITS	SCALE	CURRENT REV DESC:				<b>molex</b>			
mm	NTS								
GENERAL TOLERANCES (UNLESS SPECIFIED)						SD-DRAWING OF MINI-FIT SIGMA REC HOUSING			
ANGULAR TOL	± °					PRODUCT CUSTOMER DRAWING			
4 PLACES	±	EC NO: 735375			2022/07/08				
3 PLACES	±	DRWN: XQZHANG			2023/02/01				
2 PLACES	± 0.25	CHK'D: XQZHANG			2023/02/01				
1 PLACE	±	APPR: XQZHANG			2023/02/01				
0 PLACES	±	INITIAL REVISION:							
DRAFT WHERE APPLICABLE MUST REMAIN WITHIN DIMENSIONS		DRWN: ALU002			2019/06/20	DOCUMENT NUMBER	DOC TYPE	DOC PART	REVISION
		APPR: AYIN			2019/06/24	1727080002-SD	PSD	000	C5
		THIRD ANGLE PROJECTION	DRAWING	SERIES	MATERIAL NUMBER	CUSTOMER		SHEET NUMBER	
			A2-SIZE	172708	SEE TABLE	GENERAL MARKET		2 OF 4	

DOCUMENT STATUS	P1	RELEASE DATE	2023/02/01	07:45:14
-----------------	----	--------------	------------	----------

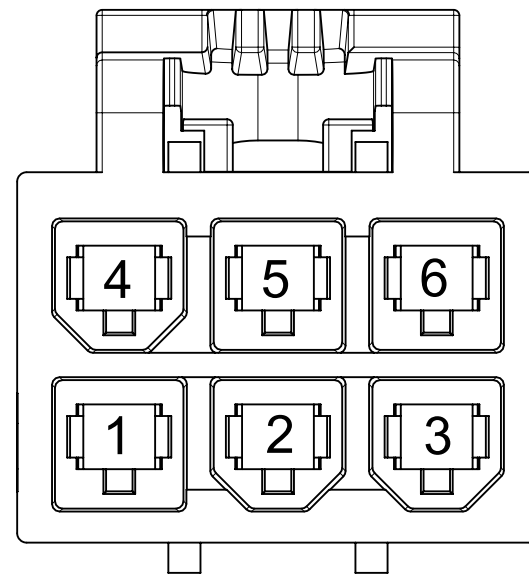
# POLARIZATION DETAIL



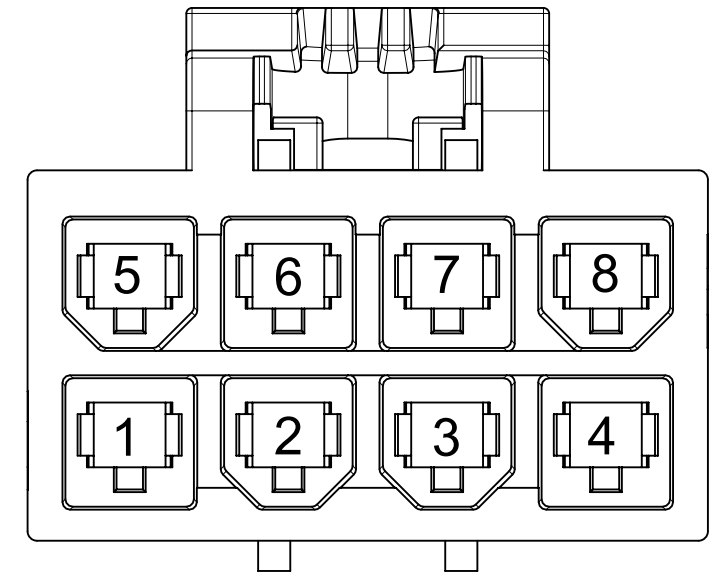
2 CKT



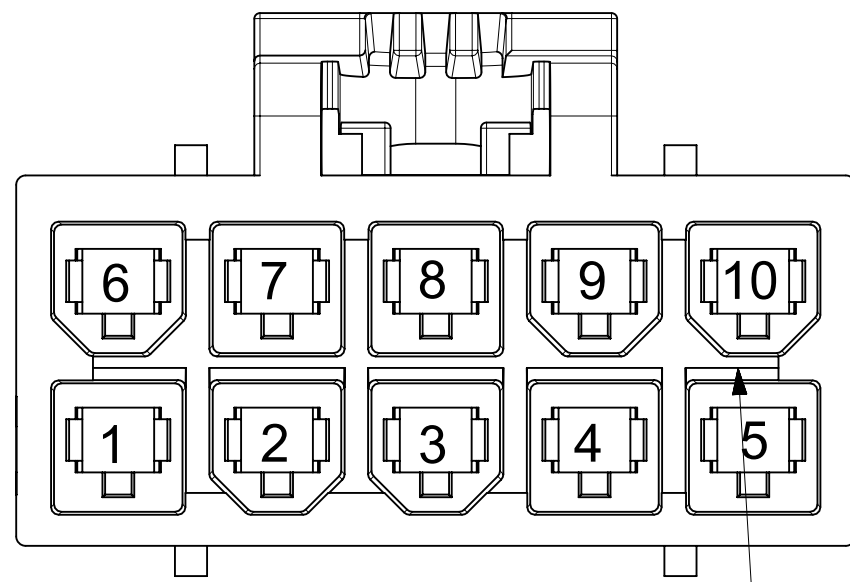
4 CKT



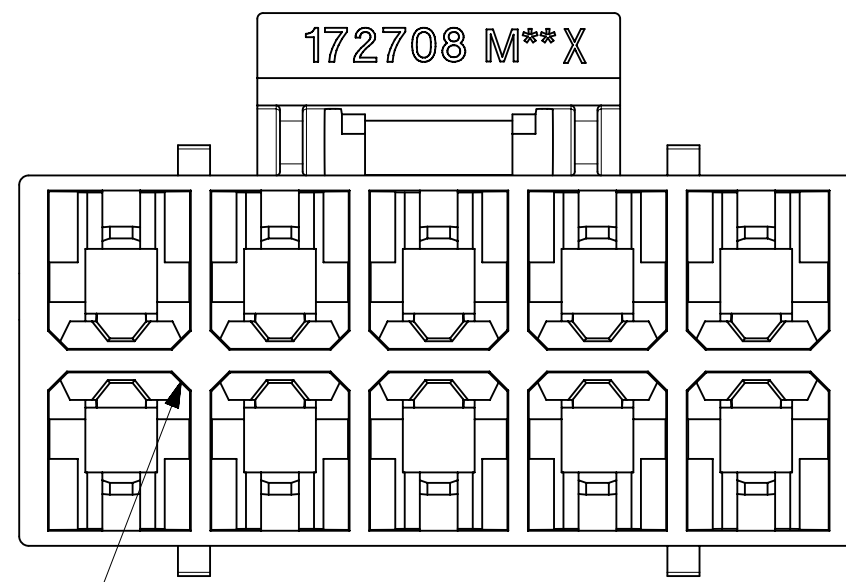
6 CKT



8 CKT

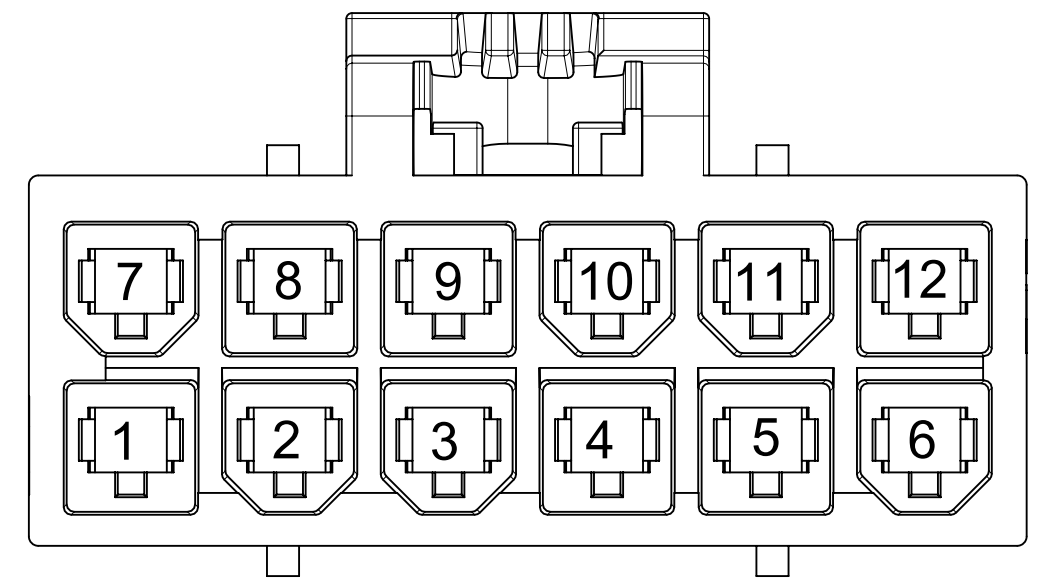


10 CKT



CHAMFER FOR 10-18CKT ONLY

CORE OUT FETURE AT THE BASE OF TOWERS FOR 10-14 CKTS DIFFERS FROM 2-8CKTS

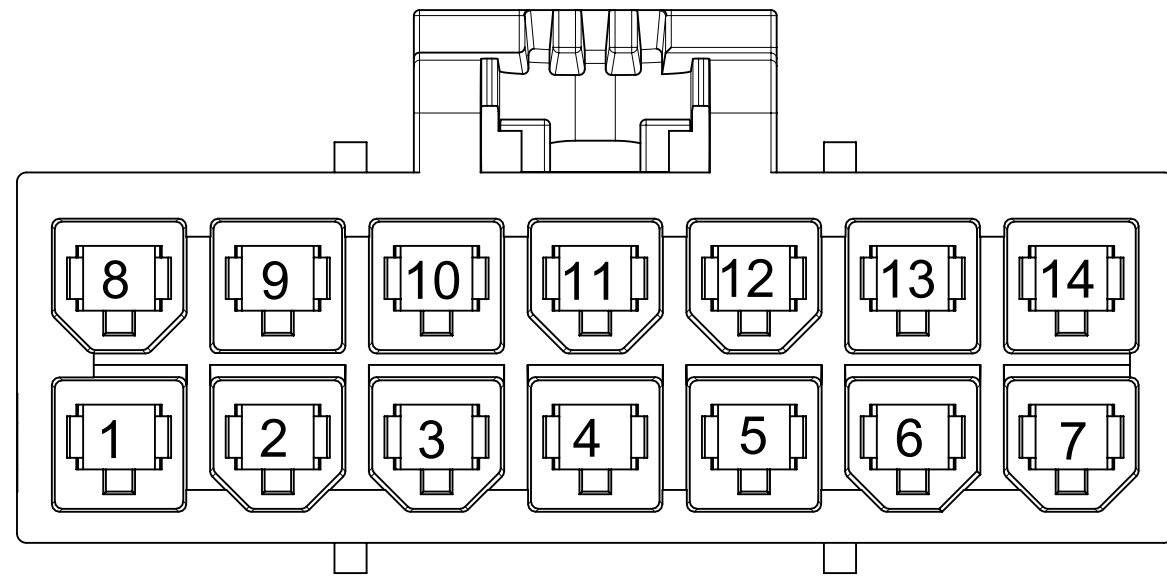


12 CKT

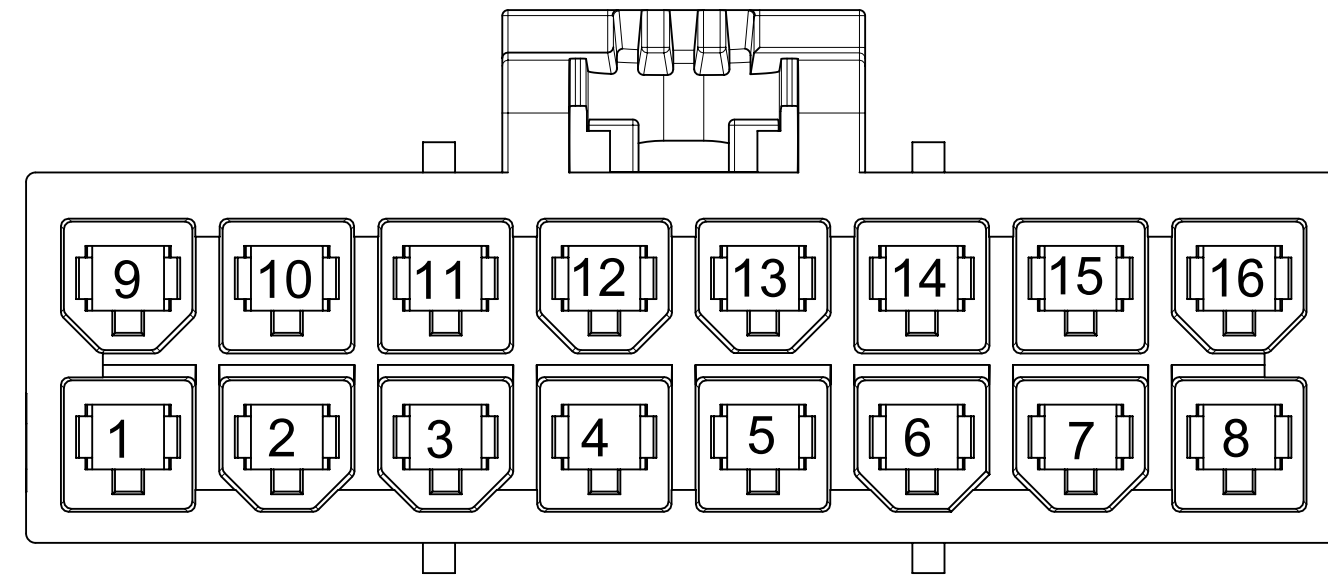
172708 M\*\*X

THIS DRAWING CONTAINS INFORMATION THAT IS PROPRIETARY TO MOLEX ELECTRONIC TECHNOLOGIES, LLC AND SHOULD NOT BE USED WITHOUT WRITTEN PERMISSION									
DIMENSION UNITS		SCALE		CURRENT REV DESC:				<b>molex</b>	
mm		NTS							
GENERAL TOLERANCES (UNLESS SPECIFIED)				EC NO: 735375				SD-DRAWING OF MINI-FIT SIGMA REC HOUSING	
ANGULAR TOL ± °				DRWN: XQZHANG 2022/07/08				PRODUCT CUSTOMER DRAWING	
4 PLACES ±				CHK'D: XQZHANG 2023/02/01				DOCUMENT NUMBER	
3 PLACES ±				APPR: XQZHANG 2023/02/01				1727080002-SD	
2 PLACES ± 0.25				INITIAL REVISION:				DOC TYPE	
1 PLACE ±				DRWN: ALUO02 2019/06/20				DOC PART	
0 PLACES ±				APPR: AYIN 2019/06/24				REVISION	
DRAFT WHERE APPLICABLE MUST REMAIN WITHIN DIMENSIONS				THIRD ANGLE PROJECTION		DRAWING		SHEET NUMBER	
				C-SIZE		SERIES		MATERIAL NUMBER	
						172708		CUSTOMER	
						SEE TABLE		GENERAL MARKET	
								PSD 000 C5	
								3 OF 4	

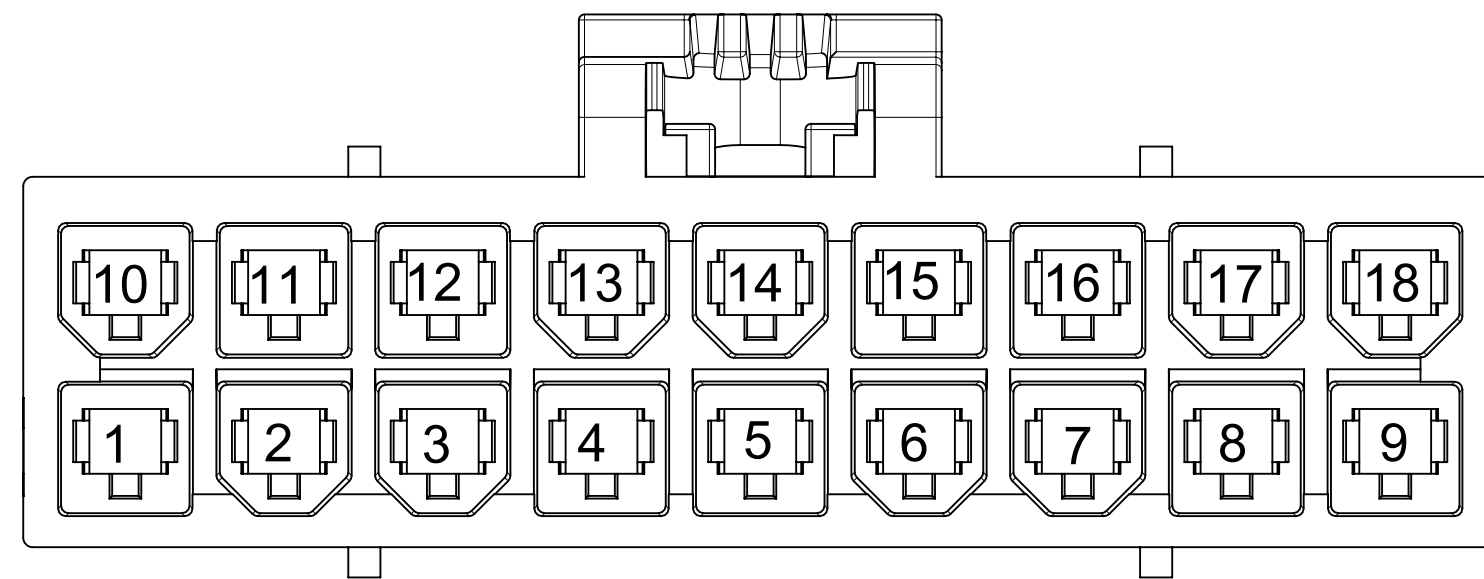
# POLARIZATION DETAIL




14 CKT



16 CKT



18 CKT

THIS DRAWING CONTAINS INFORMATION THAT IS PROPRIETARY TO MOLEX ELECTRONIC TECHNOLOGIES, LLC AND SHOULD NOT BE USED WITHOUT WRITTEN PERMISSION													
DIMENSION UNITS		SCALE		CURRENT REV DESC:									
mm		NTS											
GENERAL TOLERANCES (UNLESS SPECIFIED)				EC NO: 735375 DRWN: XQZHANG 2022/07/08 CHK'D: XQZHANG 2023/02/01 APPR: XQZHANG 2023/02/01 INITIAL REVISION: DRWN: ALUO02 2019/06/20 APPR: AYIN 2019/06/24				SD-DRAWING OF MINI-FIT SIGMA REC HOUSING					
ANGULAR TOL		± °						PRODUCT CUSTOMER DRAWING					
4 PLACES		±						DOCUMENT NUMBER		DOC TYPE		DOC PART	
3 PLACES		±						1727080002-SD		PSD		000 C5	
2 PLACES		± 0.25						MATERIAL NUMBER		CUSTOMER		SHEET NUMBER	
1 PLACE		±		SEE TABLE		GENERAL MARKET		4 OF 4					
0 PLACES		±		DRAFT WHERE APPLICABLE MUST REMAIN WITHIN DIMENSIONS		THIRD ANGLE PROJECTION		DRAWING C-SIZE					
				SERIES 172708									