

1-1445022-2 ✓ ACTIVE

MATE-N-LOK | Micro MATE-N-LOK

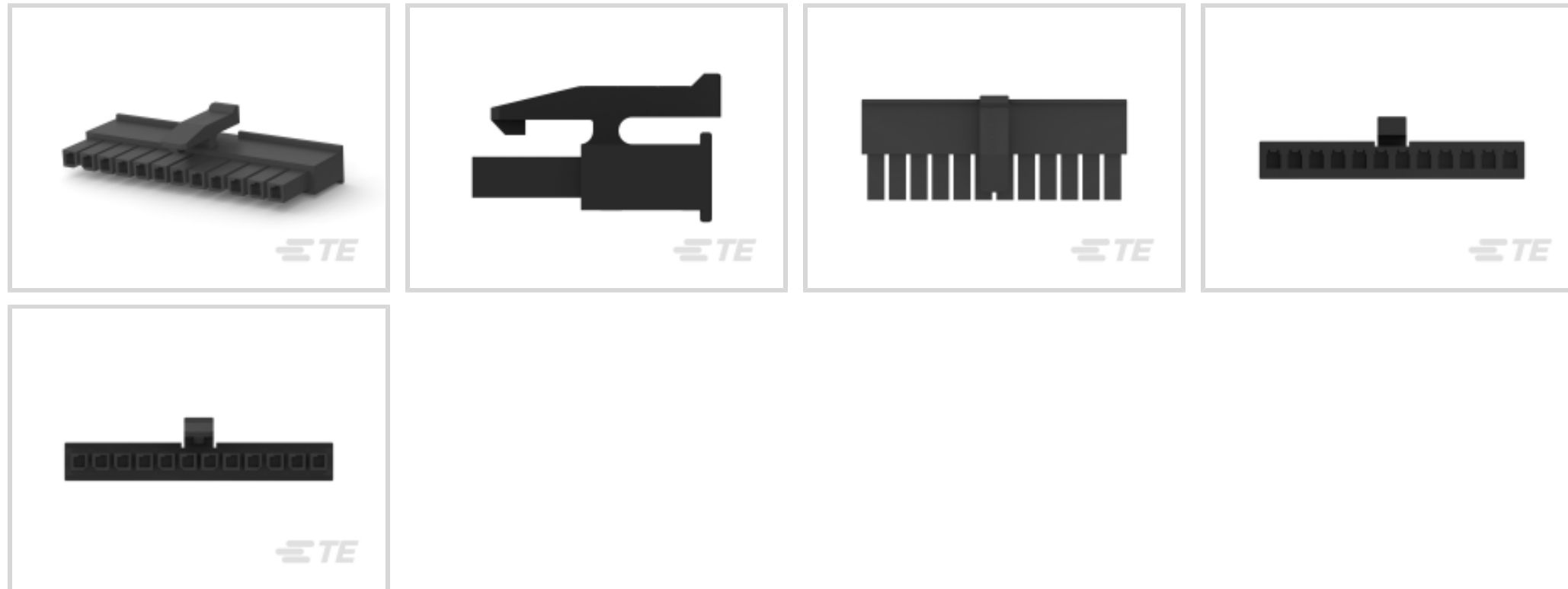
TE Internal #: 1-1445022-2

Rectangular Power Connectors, Housing, Receptacle, Wire-to-Wire,
12 Position, 3 mm [.118 in] Centerline, Wire & Cable, UL 94V-0,
Micro MATE-N-LOK

[View on TE.com >](#)



Connectors > Power Connectors > Rectangular Power > Rectangular Power Connectors



Rectangular Power Connector Type: **Housing**

Connector & Housing Type: **Receptacle**

Connector System: **Wire-to-Wire**

Number of Positions: **12**

Centerline (Pitch): **3 mm [.118 in]**

Features

Product Type Features

Rectangular Power Connector Type	Housing
Connector & Housing Type	Receptacle
Connector System	Wire-to-Wire
Sealable	No
Connector & Contact Terminates To	Wire & Cable

Configuration Features

Number of Positions	12
Number of Rows	1

Electrical Characteristics

Operating Voltage	250 VDC
-------------------	---------

Contact Features

Contact Layout	Inline
Contact Retention Within Housing	Without
Contact Type	Receptacle



Termination Features

Termination Method to Wire & Cable	Crimp
------------------------------------	-------

Mechanical Attachment

Connector Mounting Type	Cable Mount (Free-Hanging)
-------------------------	----------------------------

Housing Features

Centerline (Pitch)	3 mm [.118 in]
Housing Color	Black
Housing Material	Nylon 66/6

Usage Conditions

Operating Temperature Range	-40 – 105 °C [-40 – 221 °F]
-----------------------------	-----------------------------

Operation/Application

Circuit Application	Power & Signal
---------------------	----------------

Industry Standards

CSA Rating	Certified, LR 7189
UL Rating	Recognized
Compatible With Agency/Standards Products	CNR, USR
Compatible With Approved Standards Products	UL E28476, VDE 40005280
UL Flammability Rating	UL 94V-0
Glow Wire Rating	Standard Part - Not Glow Wire

Packaging Features

Packaging Quantity	1
Packaging Method	Tray

Product Compliance

[For compliance documentation, visit the product page on TE.com>](#)

EU RoHS Directive 2011/65/EU	Compliant
EU ELV Directive 2000/53/EC	Compliant
China RoHS 2 Directive MIIT Order No 32, 2016	No Restricted Materials Above Threshold
EU REACH Regulation (EC) No. 1907/2006	Current ECHA Candidate List: JUNE 2023 (235) Candidate List Declared Against: JUNE 2023 (235) Does not contain REACH SVHC



Halogen Content	Low Halogen - Br, Cl, F, I < 900 ppm per homogenous material. Also BFR/CFR/PVC Free
Solder Process Capability	Not applicable for solder process capability




Product Compliance Disclaimer

This information is provided based on reasonable inquiry of our suppliers and represents our current actual knowledge based on the information they provided. This information is subject to change. The part numbers that TE has identified as EU RoHS compliant have a maximum concentration of 0.1% by weight in homogenous materials for lead, hexavalent chromium, mercury, PBB, PBDE, DBP, BBP, DEHP, DIBP, and 0.01% for cadmium, or qualify for an exemption to these limits as defined in the Annexes of Directive 2011/65/EU (RoHS2). Finished electrical and electronic equipment products will be CE marked as required by Directive 2011/65/EU. Components may not be CE marked. Additionally, the part numbers that TE has identified as EU ELV compliant have a maximum concentration of 0.1% by weight in homogenous materials for lead, hexavalent chromium, and mercury, and 0.01% for cadmium, or qualify for an exemption to these limits as defined in the Annexes of Directive 2000/53/EC (ELV). Regarding the REACH Regulation, the information TE provides on SVHC in articles for this part number is based on the latest European Chemicals Agency (ECHA) 'Guidance on requirements for substances in articles' posted at this URL: <https://echa.europa.eu/guidance-documents/guidance-on-reach>

Compatible Parts

 <p>TE Part # 2008570-4 4 POS MICRO MNL, SIDE LATCH, B</p>	 <p>TE Part # 1-1445049-2 FREE HANG SNGL ROW HSG 12 POS</p>	 <p>TE Part # 1-1445048-2 PANEL MT SNGL ROW HSG 12 POS</p>	 <p>TE Part # 3-1445087-2 MICRO MNL HDR ASSY S/ROW AU LF</p>
 <p>TE Part # 3-1445091-2 MICRO MNL HDR ASSY S/ROW AU LF</p>	 <p>TE Part # 1-2008571-2 2 POS MICRO MNL, TOP LATCH, NA</p>	 <p>TE Part # 1-2008571-4 4 POS MICRO MNL, TOP LATCH, NA</p>	 <p>TE Part # 2008570-5 5 POS MICRO MNL, SIDE LATCH, B</p>

Also in the Series | Micro MATE-N-LOK

 <p>Connector Contacts(27)</p>	 <p>Insertion & Extraction Tools(1)</p>	 <p>Rectangular Power Connectors(469)</p>
---	--	--

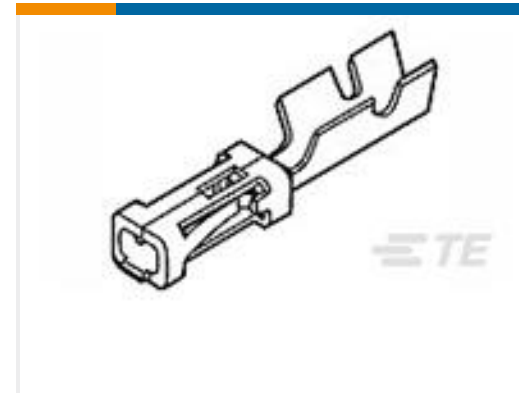
Customers Also Bought



TE Part #1-794617-6
16POS,MICRO MNL,RCPT HSG



TE Part #4-643819-1
11P MTA156 CONN ASSY 22AWG LF



TE Part #86015-2
MOD IV RECP LP



TE Part #1-1393771-1
JWD-171-17=REED RELAYS



TE Part #1589693-1
QCM044PC2DC006B = CIRCULAR



TE Part #NB13604001
RNF-100-3/8-CL-SP



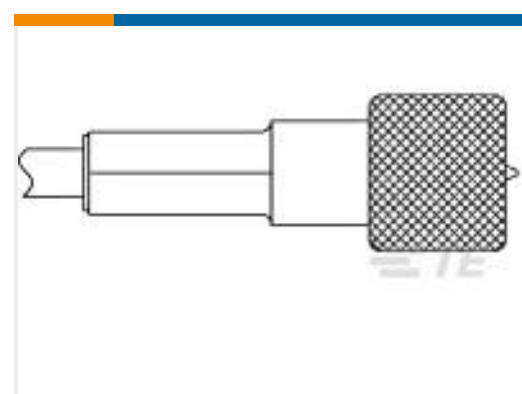
TE Part #1-1445022-0
MICRO MNL RFECEPT HSG SINGLE R



TE Part #1-794616-6
FREE HANG DBL ROW HSG 16 POS



TE Part #1-794616-8
FREE HANG DBL ROW HSG 18 POS



TE Part #1466110-1
13201140002

Documents

Product Drawings

[MICRO MNL RFECEPT HSG SINGLE R](#)

English

CAD Files

[3D PDF](#)

3D

Customer View Model

[ENG_CVM_CVM_1-1445022-2_F1.2d_dxf.zip](#)

English

Customer View Model

[ENG_CVM_CVM_1-1445022-2_F1.3d_igs.zip](#)

English

Customer View Model

[ENG_CVM_CVM_1-1445022-2_F1.3d_stp.zip](#)

English

By downloading the CAD file I accept and agree to the [Terms and Conditions](#) of use.



Datasheets & Catalog Pages

[SOFT_SHELL_PIN_AND_SOCKET_CONNECTORS_CATALOG](#)

English

[MICRO MATE-N-LOK CONNECTOR SYSTEM](#)

English

Product Specifications

[Application Specification](#)

English