

DRC26-50S04 ✓ ACTIVE

DEUTSCH | DEUTSCH DRC

TE Internal #: DRC26-50S04

Housing for Female Terminals, Wire-to-Wire, 50 Position, .174 in [4.42 mm] Centerline, Sealable, Black, Wire & Cable, Signal, DEUTSCH DRC

[View on TE.com >](#)



Connectors > Automotive Connectors > Automotive Housings > DEUTSCH DRC Housings



Connector System: **Wire-to-Wire**

Number of Positions: **50**

Connector & Housing Type: **Housing for Female Terminals**

Centerline (Pitch): **4.42 mm [ .174 in ]**

Sealable: **Yes**

[All DEUTSCH DRC Housings \(112\)](#)

## Features

### Product Type Features

Mixed & Hybrid Connector	No
Connector Shape	Rectangular
Connector System	Wire-to-Wire
Connector & Housing Type	Housing for Female Terminals
Sealable	Yes
Connector & Contact Terminates To	Wire & Cable
Primary Locking Feature	Contact Retainer

### Configuration Features

Number of Positions	50
Number of Rows	5

### Electrical Characteristics

Operating Voltage	250 VAC
Nominal Voltage Architecture	24 V, 48 V

### Body Features

Cable Exit Angle	180°
Primary Product Color	Black
Connector & Keying Code	04



### Contact Features

Contact Size	Size 20
Contact Type	Socket
Mating Pin Diameter	1.02 mm[.04 in]
Contact Current Rating (Max)	7.5 A

### Mechanical Attachment

Terminal Position Assurance	No
Strain Relief	With
Mating Alignment Type	Keyed
Mating Alignment	With
Connector Mounting Type	Cable Mount (Free-Hanging)

### Housing Features

Housing Material	PA GF
Centerline (Pitch)	4.42 mm[.174 in]

### Dimensions

Connector Height	36.45 mm[1.435 in]
Product Width	68.58 mm[2.7 in]
Product Length	32.36 mm[1.274 in]
Row-to-Row Spacing	4.42 mm[.174 in]
Compatible Insulation Diameter Range	1.02 – 2.41 mm[.04 – .095 in]

### Usage Conditions

Operating Temperature (Max)	125 °C[257 °F]
Operating Temperature Range	-55 – 125 °C[-67 – 257 °F]

### Operation/Application

Circuit Application	Signal
---------------------	--------

### Industry Standards

Degree of Protection	Not Tested
Compatible With Agency/Standards Products	SAE J2030
UL Flammability Rating	20mm Flame Test per Standard UL-94

### Packaging Features

Packaging Quantity	125
--------------------	-----



Packaging Method Box

**Other**

Serviceable Yes

Connector Position Assurance Capable No

**Product Compliance**

[For compliance documentation, visit the product page on TE.com>](#)

EU RoHS Directive 2011/65/EU Compliant

EU ELV Directive 2000/53/EC Compliant

China RoHS 2 Directive MIIT Order No 32, 2016 No Restricted Materials Above Threshold

EU REACH Regulation (EC) No. 1907/2006 Current ECHA Candidate List: JUNE 2023 (235)  
Candidate List Declared Against: JUNE 2023 (235)  
Does not contain REACH SVHC

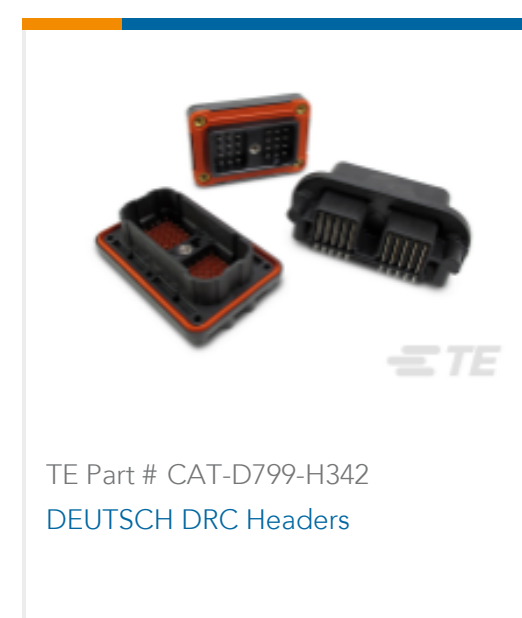
Halogen Content Not Low Halogen - contains Br or Cl > 900 ppm.

Solder Process Capability Not reviewed for solder process capability

**Product Compliance Disclaimer**

This information is provided based on reasonable inquiry of our suppliers and represents our current actual knowledge based on the information they provided. This information is subject to change. The part numbers that TE has identified as EU RoHS compliant have a maximum concentration of 0.1% by weight in homogenous materials for lead, hexavalent chromium, mercury, PBB, PBDE, DBP, BBP, DEHP, DIBP, and 0.01% for cadmium, or qualify for an exemption to these limits as defined in the Annexes of Directive 2011/65/EU (RoHS2). Finished electrical and electronic equipment products will be CE marked as required by Directive 2011/65/EU. Components may not be CE marked. Additionally, the part numbers that TE has identified as EU ELV compliant have a maximum concentration of 0.1% by weight in homogenous materials for lead, hexavalent chromium, and mercury, and 0.01% for cadmium, or qualify for an exemption to these limits as defined in the Annexes of Directive 2000/53/EC (ELV). Regarding the REACH Regulation, the information TE provides on SVHC in articles for this part number is based on the latest European Chemicals Agency (ECHA) 'Guidance on requirements for substances in articles' posted at this URL: <https://echa.europa.eu/guidance-documents/guidance-on-reach>

**Compatible Parts**





TE Part # 1062-20-0377  
SOC, SF, SIZE 20, 16-22, SLEVLSS, SN /SN

TE Part # 1062-20-0344  
SOC, SF, SIZE 20, 16-22, SLEVLSS, AU /SN

TE Part # CAT-D799-B128  
DEUTSCH DRC Backshells

TE Part # 0411-240-2005  
EXT TOOL, SIZE 20, 16-22 AWG, N, RED

TE Part # 1062-20-0622  
SOC, SF, SIZE 20, 14-16, NI/NI

TE Part # 1062-20-0244  
SOC, SF, SIZE 20, 16-22, AU/SN

TE Part # 1062-20-0222  
SOC, SF, SIZE 20, 16-22, NI/NI

TE Part # 1062-20-0122  
SOC, SF, SIZE 20, 16-22, NI/NI

TE Part # 1062-20-0144  
SOC, SF, SIZE 20, 16-22, AU/SN

TE Part # 1062-20-0177  
SOC, SF, SIZE 20, 16-22, SN/SN

TE Part # 1062-20-0277  
SOC, SF, SIZE 20, 16-22, SN/SN

TE Part # 1062-20-0644  
SOC, SF, SIZE 20, 14-16, AU/SN

TE Part # 1062-20-0677  
SOC, SF, SIZE 20, 14-16, SN/SN

TE Part # DRC26-50BT  
BOOT, 50P, 20SZ, PLG/REC, ST, BLK

TE Part # 0515-018-5005  
PROTECT CVR, 38/50/60P, PLG, WHT, DRC20

TE Part # 1060-20-0677  
PIN, SF, SIZE 20, 14-16, SN/SN

Also in the Series | **DEUTSCH DRC**

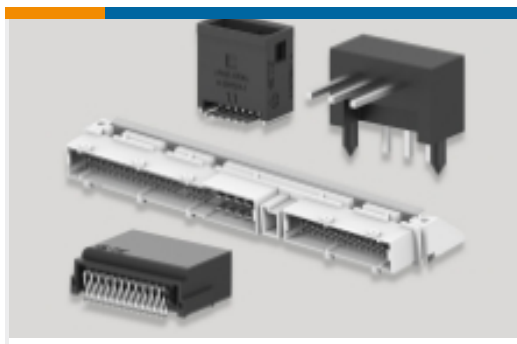
Automotive Housings(112)

Connector Backshells(6)

Connector Strain Relief(3)

Insertion & Extraction Tools(7)





PCB Headers & Receptacles(44)

## Customers Also Bought



TE Part #DTP06-4S  
PLG, 4P, GRY, N



TE Part #DRC26-60S05  
PLG, 60P, BLK, N, 05



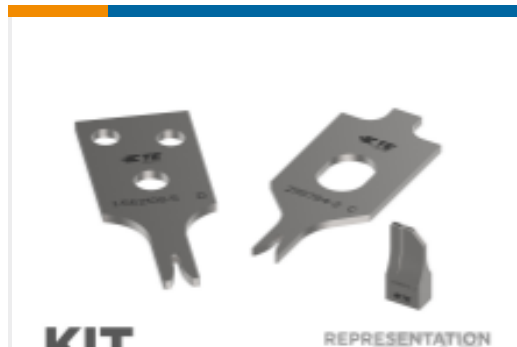
TE Part #2150603-2  
OCEAN\_2.0\_Applicator-E-090F130F



TE Part #2150843-1  
OCEAN\_2.0\_Applicator-E-100F180F



TE Part #2150980-1  
OCEAN-2.0-APPLICATOR-E-090F140F



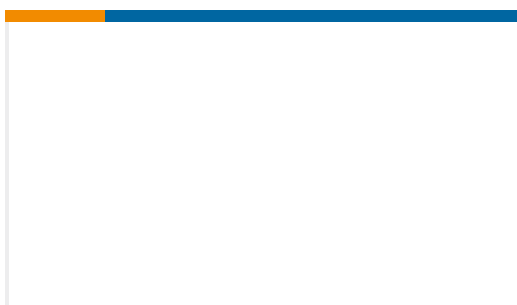
TE Part #7-2150603-7  
OCEAN\_2.0\_SPARE\_PART\_KIT-090F130F



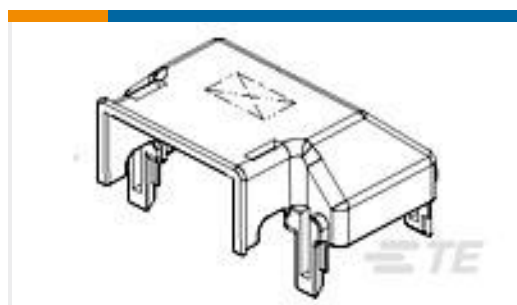
TE Part #A90-DTP04-952B  
BKSHL, 4P, BLK, PLG, RA-D, SIDE A, NW 16



TE Part #B90-DTP04-952B  
BKSHL, 4P, BLK, PLG, RA-D, SIDE B, NW 16



TE Part #2310362-1  
0413-204-2005



TE Part #1438084-1  
46 WAY WIRE SHIELD

## Documents

### Product Drawings

PLG, 50P, BLK, N, 04

English

### CAD Files

3D PDF

3D

### Customer View Model

ENG\_CVM\_CVM\_DRC26-50S04\_99\_c-drc26-50s04-99.2d\_dxf.zip



English

**Customer View Model**

[ENG\\_CVM\\_CVM\\_DRC26-50S04\\_99\\_c-drc26-50s04-99.3d\\_igs.zip](#)

English

**Customer View Model**

[ENG\\_CVM\\_CVM\\_DRC26-50S04\\_99\\_c-drc26-50s04-99.3d\\_stp.zip](#)

English

By downloading the CAD file I accept and agree to the [Terms and Conditions](#) of use.

---

**Datasheets & Catalog Pages**

[ICT Terminals and Connectors Catalogue](#)

English

---

**Product Specifications**

[Product Specification](#)

English

---

**Agency Approvals**

[UL Report](#)

English