

RECOMMENDED PANEL CUTOUT
 PANEL THICKNESS: 0.76-2.29
 (SEE NOTE 6)

CIRCUIT SIZE	DIMENSIONS				
	A±0.12	B±0.12	C±0.25	D±0.25	E±0.25
2	14.35	13.46	8.64	2.41	6.35
3	20.70	13.46	8.64	2.41	6.35
4	27.05	13.46	8.64	2.41	6.35
6	14.35	26.16	12.19	6.99	6.35
8	52.45	13.46	8.64	2.41	6.35
9	20.70	26.16	12.19	6.99	6.35
12	27.05	26.16	12.19	6.99	8.89
15	33.40	26.16	12.19	6.99	8.89

- ▲ - CIRCUIT #1 LOCATION WHEN USING POLARIZING KEY OPTION WITH 2,3,4 AND 8 CIRCUIT HOUSINGS.
- - OPTION WITH 6, 9, 12 AND 15 CIRCUIT HOUSINGS.

NOTES:

- 1) MATERIAL CODES:
 "A" = PA6/6, V-2
 COLOUR: NATURAL-TRANSLUCENT
 "C" = PA66/6, V-0
 COLOUR: NATURAL-OPAQUE
 "E" = NYLON PA66, 94V-2
 COLOUR- BLACK (ZYTEL 101F)
- 2) UNLESS OTHERWISE INDICATED, DIMENSIONS ARE FOR REFERENCE ONLY.
- 3) CAP HOUSINGS MATE WITH :
 - PLUG HOUSINGS, 2.13 DIA. SERIES: (42021-**)
- 4) HOUSINGS DESIGNED TO BE USED WITH TERMINALS:
 - PINS, 2.13 DIA. SERIES: (42023-****)
 - SOCKETS, 2.13 DIA. SERIES: (42024-****)
- 5) CONTACTS ARE ON 6.35 GRID CENTERLINE SPACING.
- 6) PANEL TO BE PUNCHED SO THAT THE HOUSING ENTERS THE PANEL OPPOSITE THE SIDE WITH THE BURR (I.E. OPPOSITE THE BREAK SIDE).
- 7) PRODUCT SPECIFICATION PS-42022-0001 APPLIES.
- 8) REFER DOCUMENT NO SD-36644-009 FOR GLOW WIRE COMPATIBLE PART NUMBERS.

THIS DRAWING CONTAINS INFORMATION THAT IS PROPRIETARY TO MOLEX ELECTRONIC TECHNOLOGIES, LLC AND SHOULD NOT BE USED WITHOUT WRITTEN PERMISSION									
DIMENSION UNITS		SCALE		CURRENT REV DESC: MIGRATED TO ECTR					
MM		2:1							
GENERAL TOLERANCES (UNLESS SPECIFIED)									
4 PLACES ±		±		EC NO: 178202		2018/02/26		HOUSING CAP .084/(2.13) DIA. SERIES	
3 PLACES ±		±		DRWN: RLALSANGI		2018/07/12			
2 PLACES ±		±		CHK'D: NCSR		2018/07/12		PRODUCT CUSTOMER DRAWING	
1 PLACE ±		±		APPR: NCSR		2018/07/12			
0 PLACES ±		±		INITIAL REVISION:		DOCUMENT NUMBER: 420220000 DOC TYPE: PSD DOC PART: 000 REVISION: A			
ANGULAR TOL ± °		°		DRWN: RK					
DRAFT WHERE APPLICABLE MUST REMAIN WITHIN DIMENSIONS		THIRD ANGLE PROJECTION		DRAWING		SERIES		MATERIAL NUMBER	
				A2-SIZE		42022		SEE TABLE OF SHEET 2	
				GENERAL MARKET		CUSTOMER		SHEET NUMBER	
								1 OF 2	

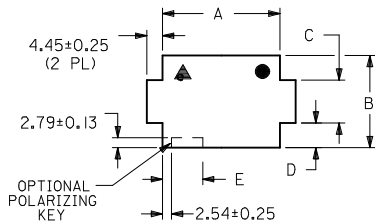
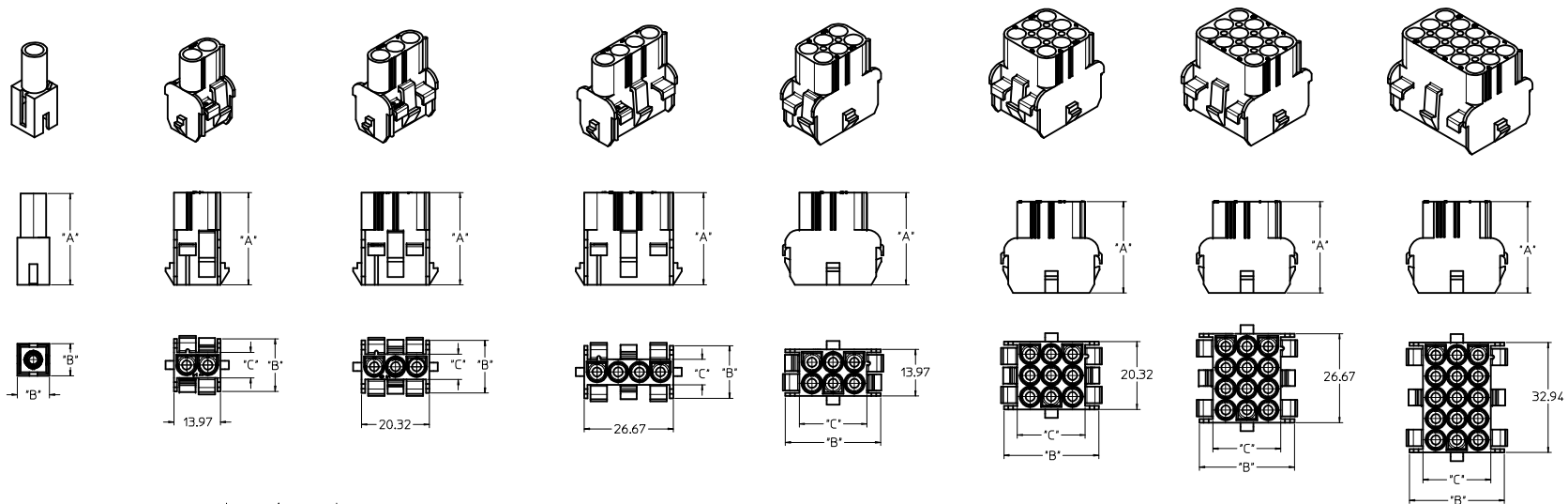
PART NO	CIRCUIT SIZE	MATERIAL (SEE NOTE 1)	DIM "A"	DIM "B"	DIM "C"
050-84-2010	1	A	27.70	9.65	---
050-84-2012	1	C			
366480021	1	E			
050-84-2020	2	A	27.70	15.75	7.62
050-84-2022	2	C			
366480022	2	E			
050-84-2030	3	A	27.70	15.75	7.62
050-84-2032	3	C			
366480023	3	E			
050-84-2040	4	A	27.70	15.75	7.62
050-84-2042	4	C			
366480024	4	E			
050-84-2060	6	A	27.70	28.45	20.32
050-84-2062	6	C			
366480025	6	E			
050-84-2090	9	A	27.70	28.45	20.32
050-84-2092	9	C			
366480026	9	E			
050-84-2120	12	A	27.70	28.45	20.32
050-84-2122	12	C			
366480027	12	E			
050-84-2150	15	A	27.70	28.45	20.32
050-84-2152	15	C			
366480028	15	E			

THIS DRAWING CONTAINS INFORMATION THAT IS PROPRIETARY TO MOLEX ELECTRONIC TECHNOLOGIES, LLC AND SHOULD NOT BE USED WITHOUT WRITTEN PERMISSION									
DIMENSION UNITS		SCALE		CURRENT REV DESC: MIGRATED TO ECTR				molex	
MM		1:1							
GENERAL TOLERANCES (UNLESS SPECIFIED)				EC NO: 178202				HOUSING CAP .084/(2.13) DIA. SERIES	
				DRWN: RLALSANGI 2018/02/26					
4 PLACES ±				CHK'D: NCSR 2018/07/12				PRODUCT CUSTOMER DRAWING	
3 PLACES ±				APPR: NCSR 2018/07/12					
2 PLACES ± 0.25				INITIAL REVISION:				DOCUMENT NUMBER	
1 PLACE ± 0.36				DRWN: RK 1987/11/15					
0 PLACES ±				APPR: GWF 1987/11/15				420220000	
ANGULAR TOL ± °				THIRD ANGLE PROJECTION		DRAWING		DOC TYPE	
DRAFT WHERE APPLICABLE MUST REMAIN WITHIN DIMENSIONS						A2-SIZE		PSD	
				SERIES		MATERIAL NUMBER		DOC PART	
				42022		SEE TABLE OF SHEET 2		000	
						CUSTOMER		REVISION	
						GENERAL MARKET		A	
								SHEET NUMBER	
								2 OF 2	

DOCUMENT STATUS	P1	RELEASE DATE	2018/07/12 07:32:08
-----------------	----	--------------	---------------------

PART NO.	CIRCUIT SIZE	MATERIAL (SEE NOTE 1)	DIM. "A"	DIM. "B"	DIM. "C"
366440001	1	D	27.70	9.65	----
366440002	2	D	27.70	15.75	7.62
366440003	3	D	27.70	15.75	7.62
366440004	4	D	27.70	15.75	7.62
366440010	5	D	27.70	15.75	7.62
366440005	6	D	27.70	28.45	20.32
366440006	9	D	27.70	28.45	20.32
366440007	12	D	27.70	28.45	20.32
366440008	15	D	27.70	28.45	20.32

GENERAL TOL REVISED EC NO: 12018-0003 DRWNGS: 2017/08/30 CHKD: SAGARAVENKA 2017/08/30 APPR: KPRASAD 2017/09/07	DESCRIPTION REV	QUALITY SYMBOLS $\nabla=0$ $\nabla=0$ $\nabla=0$	GENERAL TOLERANCES (UNLESS SPECIFIED) <table border="1"> <thead> <tr> <th></th> <th>mm</th> <th>INCH</th> </tr> </thead> <tbody> <tr> <td>4 PLACES</td> <td>±----</td> <td>±----</td> </tr> <tr> <td>3 PLACES</td> <td>±----</td> <td>±----</td> </tr> <tr> <td>2 PLACES</td> <td>±0.25</td> <td>±----</td> </tr> <tr> <td>1 PLACE</td> <td>±0.36</td> <td>±----</td> </tr> <tr> <td>0 PLACE</td> <td>±----</td> <td>±----</td> </tr> </tbody> </table>		mm	INCH	4 PLACES	±----	±----	3 PLACES	±----	±----	2 PLACES	±0.25	±----	1 PLACE	±0.36	±----	0 PLACE	±----	±----	DIMENSION STYLE MM ONLY DRAWN BY: MRAMAKRISHNA DATE: 2013/01/31 CHECKED BY: _____ DATE: _____ APPROVED BY: KPRASAD DATE: 2013/03/11	SCALE: 1:1 DESIGN UNITS: METRIC THIRD ANGLE PROJECTION	TITLE: HOUSING, CAP 2.13 DIA. SERIES 	MATERIAL NO.: _____ DOCUMENT NO.: SD-36644-009 SHEET NO.: 2 OF 2
			mm	INCH																					
		4 PLACES	±----	±----																					
		3 PLACES	±----	±----																					
2 PLACES	±0.25	±----																							
1 PLACE	±0.36	±----																							
0 PLACE	±----	±----																							
ANGULAR ±----° DRAFT WHERE APPLICABLE MUST REMAIN WITHIN DIMENSIONS			SIZE: A2 THIS DRAWING CONTAINS INFORMATION THAT IS PROPRIETARY TO MOLEX INCORPORATED AND SHOULD NOT BE USED WITHOUT WRITTEN PERMISSION																						



RECOMMENDED PANEL CUTOUT

PANEL THICKNESS: 0.76-2.29
(SEE NOTE 6)

CIRCUIT SIZE	DIMENSIONS				
	A±0.12	B±0.12	C±0.25	D±0.25	E±0.25
2	14.35	13.46	8.64	2.41	6.35
3	20.70	13.46	8.64	2.41	6.35
4	27.05	13.46	8.64	2.41	6.35
6	14.35	26.16	12.19	6.99	6.35
8	52.45	13.46	8.64	2.41	6.35
9	20.70	26.16	12.19	6.99	6.35
12	27.05	26.16	12.19	6.99	8.89
15	33.40	26.16	12.19	6.99	8.89

▲ - CIRCUIT #1 LOCATION WHEN USING POLARIZING KEY OPTION WITH 2, 3, 4 AND 8 CIRCUIT HOUSINGS.

● - OPTION WITH 6, 9, 12 AND 15 CIRCUIT HOUSINGS.

NOTES:

1) MATERIAL CODES:

- *A* = PA6/6, V-2
COLOUR: NATURAL-TRANSLUCENT
- *C* = PA66/6, V-0
COLOUR: NATURAL-OPAQUE
- *E* = NYLON PA66, 94V-2
COLOUR: BLACK (ZYTEL 101F)

2) UNLESS OTHERWISE INDICATED, DIMENSIONS ARE FOR REFERENCE ONLY.

3) CAP HOUSINGS MATE WITH :
- PLUG HOUSINGS, 2.13 DIA. SERIES: (4201-***)
(42021-***)

4) HOUSINGS DESIGNED TO BE USED WITH TERMINALS:
- PINS, 2.13 DIA. SERIES: (42023-****)
- SOCKETS, 2.13 DIA. SERIES: (42024-****)

5) CONTACTS ARE ON 6.35 GRID CENTERLINE SPACING.

6) PANEL TO BE PUNCHED SO THAT THE HOUSING ENTERS THE PANEL OPPOSITE THE SIDE WITH THE BURR (I.E. OPPOSITE THE BREAK SIDE).

7) PRODUCT SPECIFICATION PS-42022-0001 APPLIES.

8) REFER DOCUMENT NO SD-36644-009 FOR GLOW WIRE COMPATIBLE PART NUMBERS.

REVIEWS UPDATED EC NO. Z096-005 IFC NO. Z096-005 IFC NO. Z096-005 APPROVED BY: 2017/09/07 APPROVED BY: 2017/09/07	QUALITY SYMBOLS	GENERAL TOLERANCES (UNLESS SPECIFIED)	DIMENSION STYLE	SCALE	DESIGN UNITS	THIRD ANGLE PROJECTION	
	▽=0	mm INCH	MM ONLY	2:1	METRIC		
	▽=0	4 PLACES ± --- ± --- 3 PLACES ± --- ± --- 2 PLACES ± 0.25 ± --- 1 PLACE ± 0.36 ± --- 0 PLACE ± --- ± ---	DRAWN BY: RY DATE: 87/11/15 CHECKED BY: GWF DATE: 87/11/15 APPROVED BY: GWF DATE: 87/11/15	TITLE	HOUSING CAP .084/(2.13) DIA. SERIES		
	▽=0	ANGULAR ± --- ° DRAFT WHERE APPLICABLE MUST REMAIN WITHIN DIMENSIONS	MATERIAL NO. SEE SHEET 2 DOCUMENT NO. SD-42022-***	SHEET NO. 1 OF 2		molex	

PART NO	CIRCUIT SIZE	MATERIAL (SEE NOTE 1)	DIM "A"	DIM "B"	DIM "C"
050-84-2010	1	A	27.70	9.65	---
050-84-2012	1	C			
366480021	1	E			
050-84-2020	2	A	27.70	15.75	7.62
050-84-2022	2	C			
366480022	2	E			
050-84-2030	3	A	27.70	15.75	7.62
050-84-2032	3	C			
366480023	3	E			
050-84-2040	4	A	27.70	15.75	7.62
050-84-2042	4	C			
366480024	4	E			
050-84-2060	6	A	27.70	28.45	20.32
050-84-2062	6	C			
366480025	6	E			
050-84-2090	9	A	27.70	28.45	20.32
050-84-2092	9	C			
366480026	9	E			
050-84-2120	12	A	27.70	28.45	20.32
050-84-2122	12	C			
366480027	12	E			
050-84-2150	15	A	27.70	28.45	20.32
050-84-2152	15	C			
366480028	15	E			

SEE SHEET 1 EC:IND:2096-0003 CHC:SD42022-001 APPROVED: 2017/09/07 DATE: 2017/09/07	QUALITY SYMBOLS	GENERAL TOLERANCES (UNLESS SPECIFIED)	DIMENSION STYLE	SCALE	DESIGN UNITS	THIRD ANGLE PROJECTION
	▽=0	mm INCH	MM ONLY		METRIC	
	▽=0	4 PLACES ±--- ±---	DRAWN BY DATE			
	▽=0	3 PLACES ±--- ±---	RV 87/11/15			
	2 PLACES ±0.25 ±---	CHECKED BY DATE				TITLE
	1 PLACE ±0.36 ±---	GW 87/11/15				HOUSING CAP
	0 PLACE ±--- ±---	APPROVED BY DATE				.084/(2.13) DIA. SERIES
	ANGULAR ±---°	GW 87/11/15				molex
	DRAFT WHERE APPLICABLE	MATERIAL NO. ()				DOCUMENT NO. SD-42022-***
	MUST REMAIN WITHIN DIMENSIONS	SEE CHART				SHEET NO. 2 OF 2
		SIZE 1 THIS DRAWING CONTAINS INFORMATION THAT IS PROPRIETARY TO MOLEX INCORPORATED AND SHOULD NOT BE USED WITHOUT WRITTEN PERMISSION				