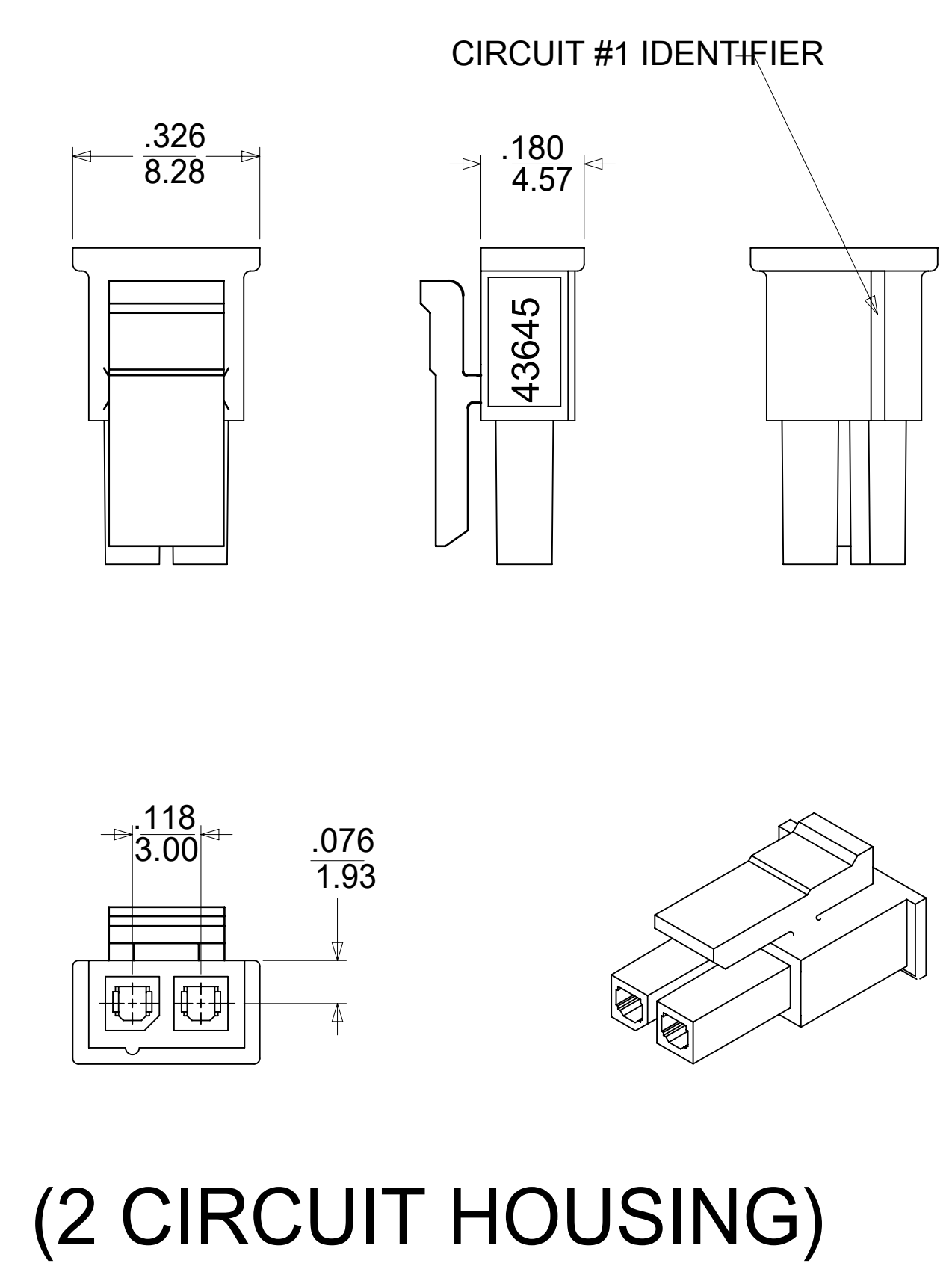
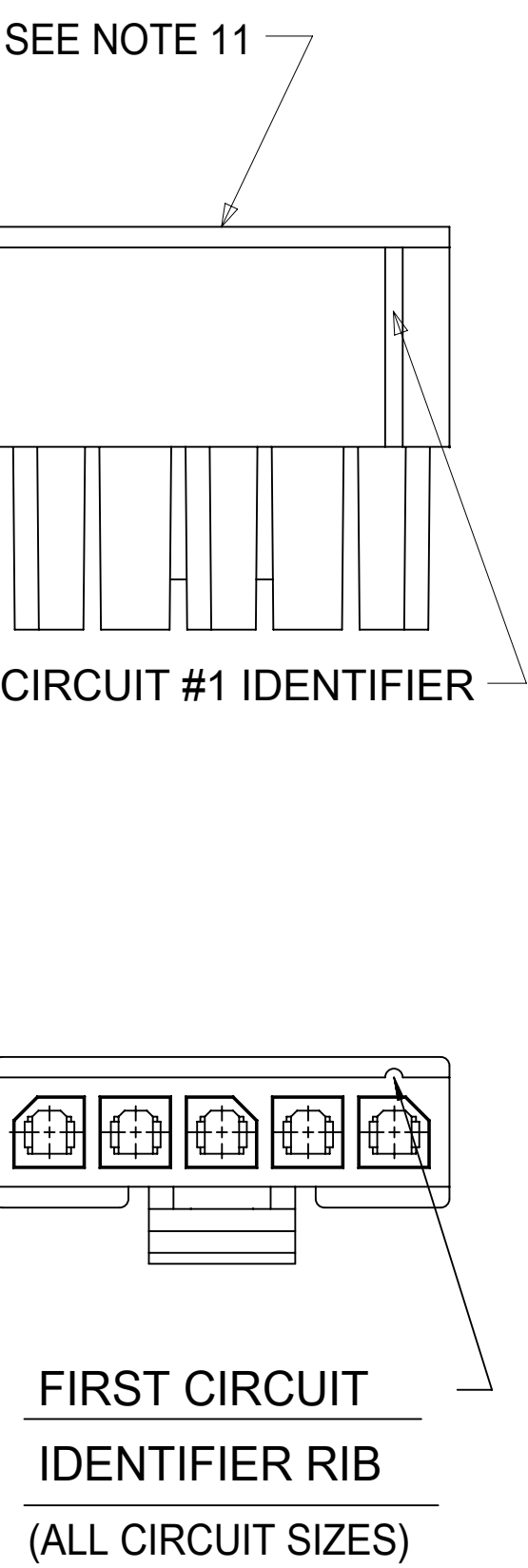
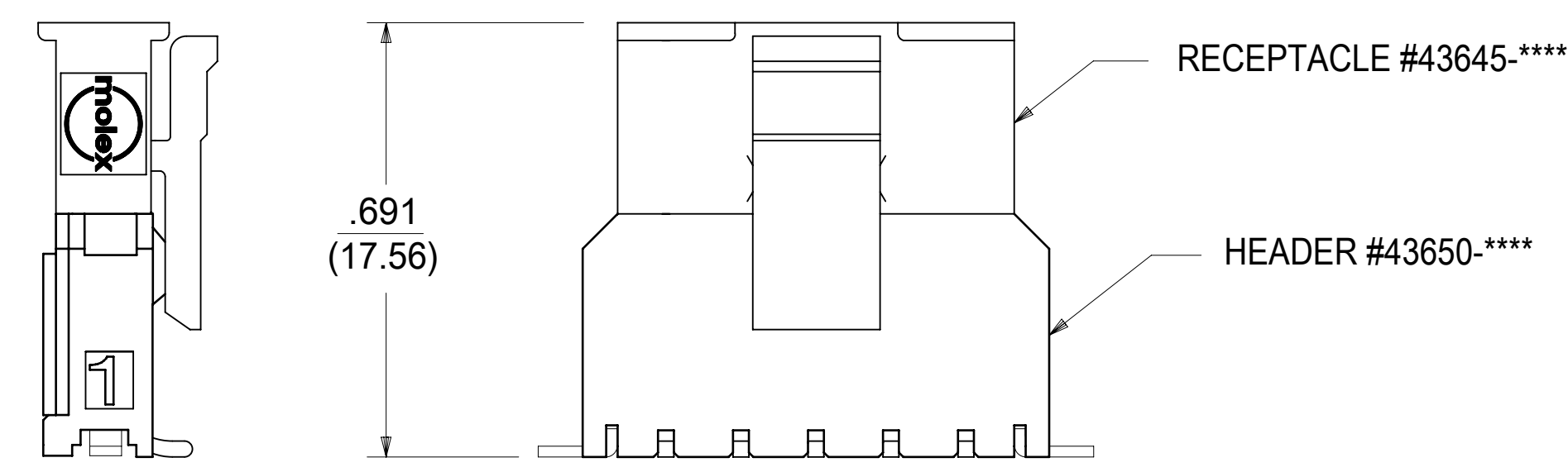


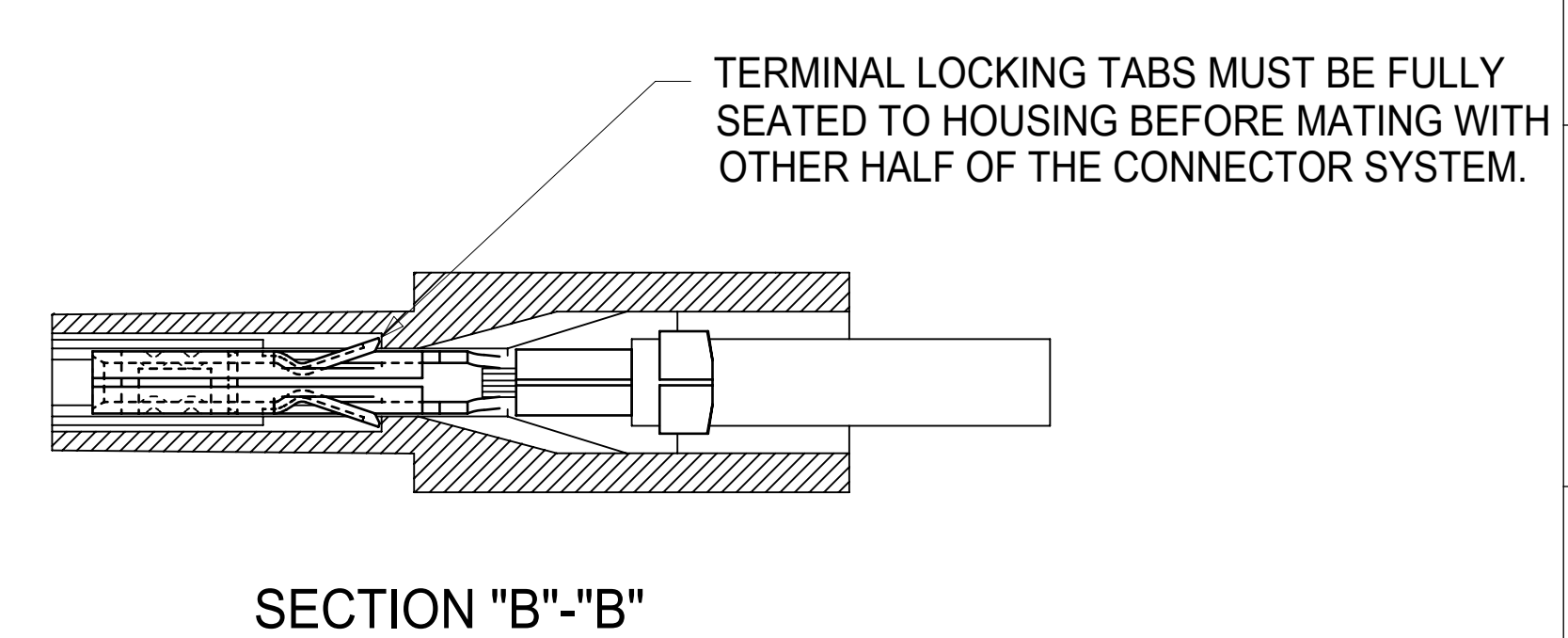
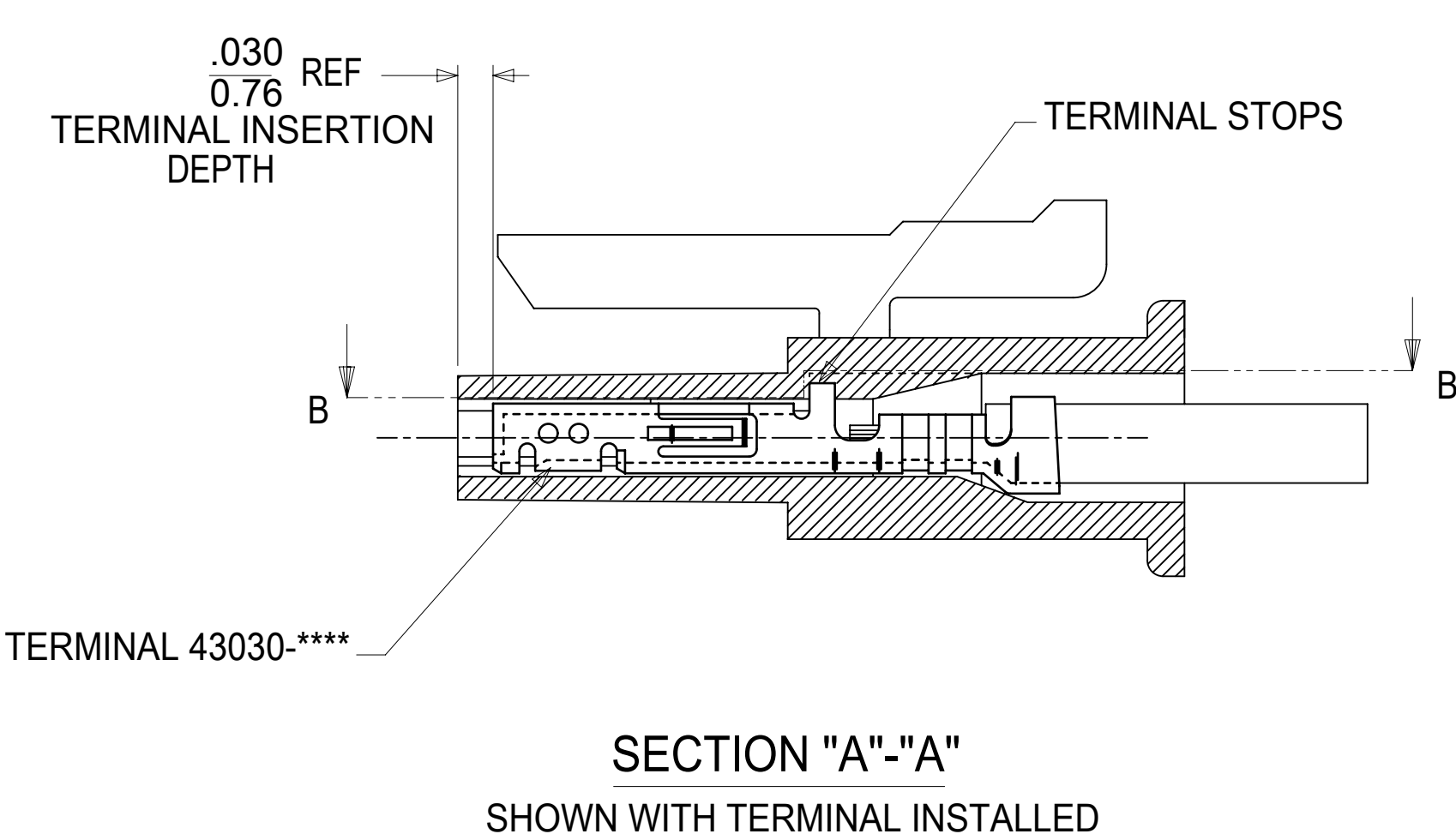
(3-12 CIRCUIT HOUSING)



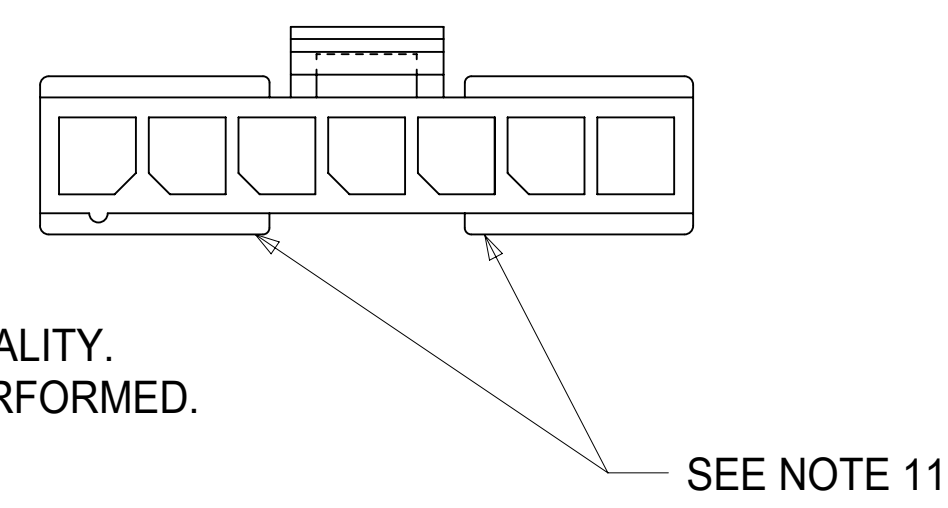
(2 CIRCUIT HOUSING)



MATED MICRO-FIT CONNECTOR



- NOTES:**
- HOUSING MATERIAL:
"A" - UNFILLED POLYESTER, RATED U.L. 94V-0, COLOR IS BLACK.
"B" - UNFILLED NYLON, RATED U.L. 94V-0, HALOGEN-FREE, COLOR IS BLACK.
 - FINISH : N/A
 - PRODUCT SPECIFICATION : PS-43650
 - PACKAGING SPECIFICATION: PK-43645-001
 - THIS RECEPTACLE ACCEPTS MOLEX MICRO FIT FEMALE CRIMP TERMINALS SERIES 43030 OR 46235,
 - SEE SECTION "A"-A FOR TERMINAL ORIENTATION IN HOUSING.
 - FOR OVERMOLDING PARAMETERS SEE APPLICATION SPECIFICATION 430250000-AS.
 - THIS RECEPTACLE MATES WITH MOLEX PCB HEADER 43650 SERIES AND MOLEX PLUG 43640 SERIES (WIRE TO WIRE APPLICATIONS).
 - SOME HOUSINGS MAY HAVE A SMALL GATE BLEMISH NEAR THE GATE LOCATION THAT DOES NOT AFFECT FUNCTIONALITY.
 - MOLEX RECOMMENDS THE USE OF MICRO-FIT TEST PLUG, SERIES 44242-**** WHENEVER CONTINUITY TESTING IS PERFORMED. TEST PLUGS MUST NOT BE USED TO MAKE OR BREAK UNDER LOAD. MOLEX DOES NOT RECOMMEND USING STANDARD MATING COMPONENTS FOR HARNESS TESTING PURPOSES.
 - THIS RIB IS DISCONTINUOUS ON CIRCUIT SIZES 7 THROUGH 12
 - PART CONFORMS TO CLASS 'B' REQUIREMENTS OF COSMETIC SPECIFICATION PS-45499-002.
 - TEXT ON PART IS FOR REFERENCE ONLY. TEXT AND TEXT LOCATION MAY VARY DEPENDING ON PART NUMBER AND/OR TOOL.
 - PARTS MADE FROM MATERIAL "B" ARE CONSTRUCTED TO MEET THE REQUIREMENT FOR DIRECT SUPPORT OF UNINSULATED LIVE PARTS AS DESCRIBED IN UL61800-5-1.



FUNCTIONAL SYMBOLS FA = 0 FC = 0 FP = 0	THIS DRAWING CONTAINS INFORMATION THAT IS PROPRIETARY TO MOLEX ELECTRONIC TECHNOLOGIES, LLC AND SHOULD NOT BE USED WITHOUT WRITTEN PERMISSION		CURRENT REV DESC: ADD NOTE 14		
	DIMENSION UNITS	SCALE	GENERAL TOLERANCES (UNLESS SPECIFIED)		
	INCH/MM	4:1	MM	INCH	
	DIVISIONAL SYMBOLS				
4 PLACES ±		±	EC NO: 724017		436450000-SD
3 PLACES ±		± 0.01	DRWN: RICARC13 2022/09/14		
2 PLACES ±		± 0.014	CHK'D: FSMITH 2022/10/17		PSD 000 A1
1 PLACE ±		±	APPR: FSMITH 2022/10/17		
0 PLACES ±		±	INITIAL REVISION:		DOCUMENT NUMBER
ANGULAR TOL ± 0.5°			DRWN: A.F.G 1995/11/15		DOC TYPE
DRAFT WHERE APPLICABLE MUST REMAIN WITHIN DIMENSIONS			APPR: R.J.F 1995/11/15		DOC PART
THIRD ANGLE PROJECTION			DRAWING		REVISION
D-SIZE			SERIES		
43645			MATERIAL NUMBER		
SEE CHART			CUSTOMER		
GENERAL MARKET			SHEET NUMBER		
1 OF 1					

THIS DRAWING REPLACES DRAWING SDA-43645-****.