

BACA-AMP-245 ✓ ACTIVE

AMP SLIM

TE Internal #: 1909783-1

Housing, Receptacle, Wire-to-Board, 2 Position, .047 in [1.2 mm]
Centerline, Crimp, 1 Row, Black, Mating Retention, Wire & Cable,
AMP SLIM

[View on TE.com >](#)



Connectors > PCB Connectors > Wire-to-Board Connectors > Wire-to-Board Connector Assemblies & Housings



Connector Product Type: **Housing**

Connector & Housing Type: **Receptacle**

Connector System: **Wire-to-Board**

Number of Positions: **2**

Centerline (Pitch): **1.2 mm [.047 in]**

Features

Product Type Features

Connector Product Type	Housing
Connector & Housing Type	Receptacle
Connector System	Wire-to-Board
Sealable	No
Connector & Contact Terminates To	Wire & Cable

Configuration Features

Number of Positions	2
Number of Rows	1

Electrical Characteristics

Operating Voltage	50 VAC
-------------------	--------

Body Features

Primary Product Color	Black
-----------------------	-------

Contact Features

--	--



Contact Layout	Inline
Contact Type	Socket
Contact Current Rating (Max)	3 A

Termination Features

Termination Method to Wire & Cable	Crimp
------------------------------------	-------

Mechanical Attachment

Strain Relief	Without
Panel Mount Feature	Without
PCB Mount Retention	Without
Mating Retention Type	Latch
Mating Retention	With
Connector Mounting Type	Cable Mount (Free-Hanging)

Housing Features

Housing Entry Configuration	Both Ends Closed
Housing Material	PA 66
Centerline (Pitch)	1.2 mm[.047 in]

Dimensions

Connector Length	3.46 mm[.136 in]
Connector Height	1.2 mm[.047 in]
Connector Width	3.5 mm[.138 in]

Usage Conditions

Operating Temperature Range	-25 – 85 °C[-13 – 185 °F]
-----------------------------	---------------------------

Operation/Application

Circuit Application	Power & Signal
---------------------	----------------

Industry Standards

UL Flammability Rating	UL 94V-0
------------------------	----------

Packaging Features

Packaging Quantity	1000
Packaging Method	Bag

Product Compliance

[For compliance documentation, visit the product page on TE.com>](#)



EU RoHS Directive 2011/65/EU	Compliant
EU ELV Directive 2000/53/EC	Compliant
China RoHS 2 Directive MIIT Order No 32, 2016	No Restricted Materials Above Threshold
EU REACH Regulation (EC) No. 1907/2006	Current ECHA Candidate List: JUNE 2023 (235) Candidate List Declared Against: JAN 2021 (211) Does not contain REACH SVHC
Halogen Content	Low Halogen - Br, Cl, F, I < 900 ppm per homogenous material. Also BFR/CFR/PVC Free
Solder Process Capability	Not applicable for solder process capability

Product Compliance Disclaimer

This information is provided based on reasonable inquiry of our suppliers and represents our current actual knowledge based on the information they provided. This information is subject to change. The part numbers that TE has identified as EU RoHS compliant have a maximum concentration of 0.1% by weight in homogenous materials for lead, hexavalent chromium, mercury, PBB, PBDE, DBP, BBP, DEHP, DIBP, and 0.01% for cadmium, or qualify for an exemption to these limits as defined in the Annexes of Directive 2011/65/EU (RoHS2). Finished electrical and electronic equipment products will be CE marked as required by Directive 2011/65/EU. Components may not be CE marked. Additionally, the part numbers that TE has identified as EU ELV compliant have a maximum concentration of 0.1% by weight in homogenous materials for lead, hexavalent chromium, and mercury, and 0.01% for cadmium, or qualify for an exemption to these limits as defined in the Annexes of Directive 2000/53/EC (ELV). Regarding the REACH Regulation, the information TE provides on SVHC in articles for this part number is based on the latest European Chemicals Agency (ECHA) 'Guidance on requirements for substances in articles' posted at this URL: <https://echa.europa.eu/guidance-documents/guidance-on-reach>

Compatible Parts



Also in the Series | **AMP SLIM**



Connector Contacts(1)



PCB Headers & Receptacles(5)

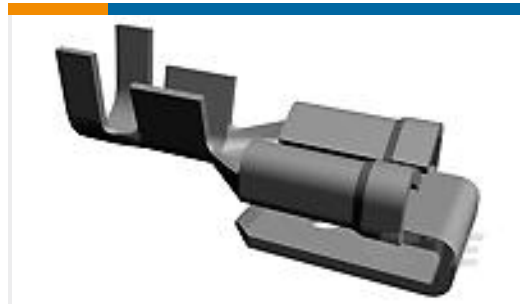


Wire-to-Board Connector Assemblies & Housings(5)

Customers Also Bought



TE Part #1909782-1
BOARD TO WIRE WAFER 1.2MM TOP ENTRY



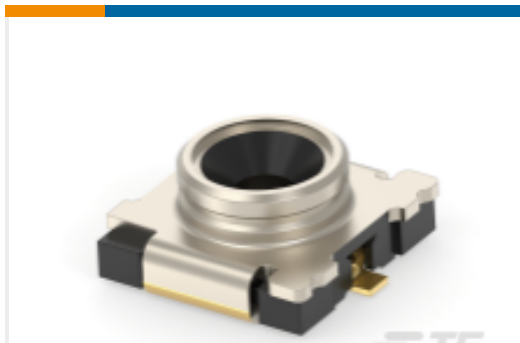
TE Part #63646-2
187 FASTON REC 20-16 AWG TPBR



TE Part #63850-1
187 FASTON REC 20-16 AWG NPST



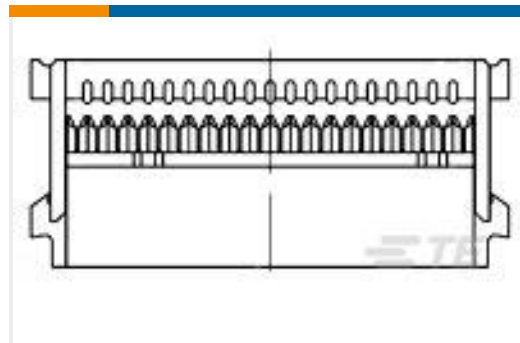
TE Part #62274-1
250 FASTON REC 22-18 AWG TPBR



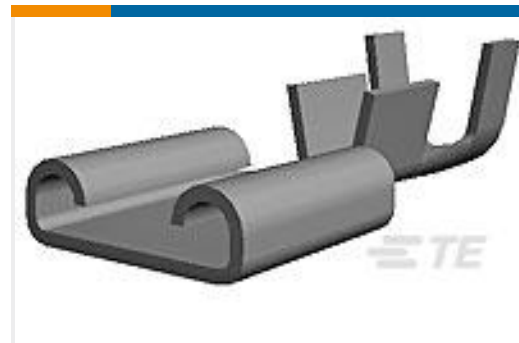
TE Part #2081956-1
RF SWITCH



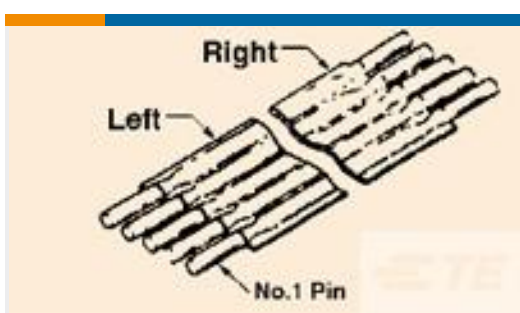
TE Part #2337019-1
UMCC Micro-Coax receptacle, Gen 1



TE Part #1658526-4
609-1030LF FEM SOCKET, LEAD FREE



TE Part #160807-2
250 FASTON, REC., 20-16 AWG, BR



TE Part #3-1437186-4
FST-21A-2



TE Part #66256-9
MALE CONTACT ASSY. (STRIP)

Documents

Product Drawings

WIRE TO BOARD HOUSING 1.2MM TOP ENTRY

English

CAD Files

3D PDF

3D

Customer View Model

ENG_CVM_CVM_1909783-1_C.2d_dxf.zip



English

Customer View Model

[ENG_CVM_CVM_1909783-1_C.3d_igs.zip](#)

English

Customer View Model

[ENG_CVM_CVM_1909783-1_C.3d_stp.zip](#)

English

By downloading the CAD file I accept and agree to the [Terms and Conditions](#) of use.

Product Specifications

[Application Specification](#)

English