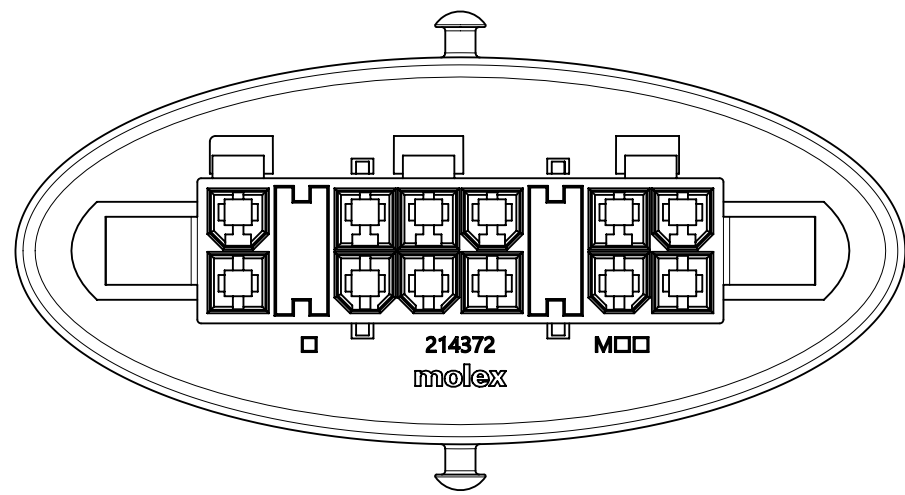


PART NUMBER	CIRCUIT COUNTS
2143720001	2 - 4 - 6
2143720002	2 - 10
2143720003	2 - 8

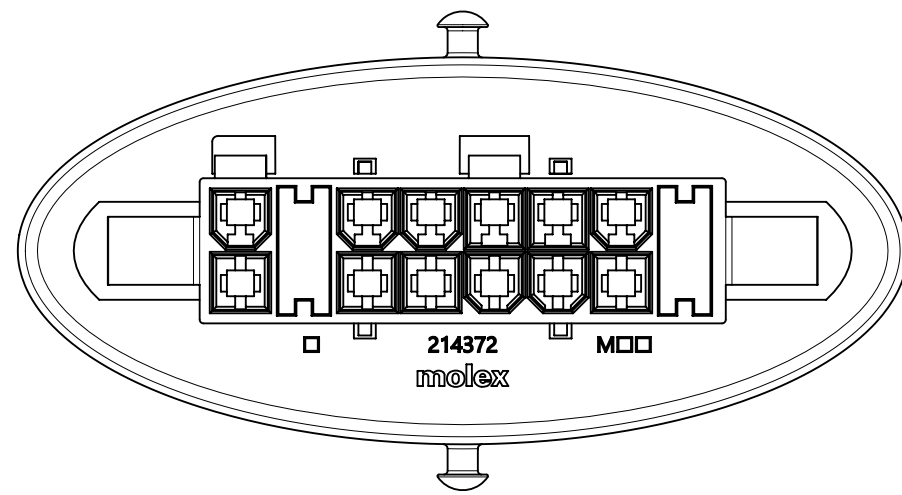
2143720001 SHOWN. SEE SHEET 2 FOR ALL CONFIGURATIONS.

- NOTE:
- MATERIAL: NYLON PA66, UL94V-0  
COLOR: NATURAL
  - PRODUCT SPECIFICATION: 2070170000-PS  
APPLICATION SPECIFICATION: 2070170000-AS  
TEST SUMMARY: 2070170000-TS
  - PACKAGING SPECIFICATION: 2070170000-PK
  - THIS HOUSING TO BE USED WITH MALE TERMINAL SERIES 172765, TPA PN 172709-200\*, SIGMA SEAL COVER 207019.
  - TPA IS OPTIONAL FOR THIS PRODUCT.
  - THIS PART MATES WITH SERIES 5557, 46992, AND 172708.
  - WIRES TO BE DRESSED IN SUCH A MANNER TO ALLOW TERMINALS TO FLOAT FREELY IN THE POCKET.
  - CONNECTORS ARE NOT TO BE MATED OR UNMATED WHILE CIRCUITS ARE LIVE.
  - PART CONFORMS TO CLASS "B" REQUIREMENTS OF COSMETIC SPECIFICATION PS-45499-002.
  - TEXT ON PART IS FOR REFERENCE ONLY. TEXT AND TEXT LOCATION MAY VARY DEPENDING ON PART NUMBER OR TOOL.

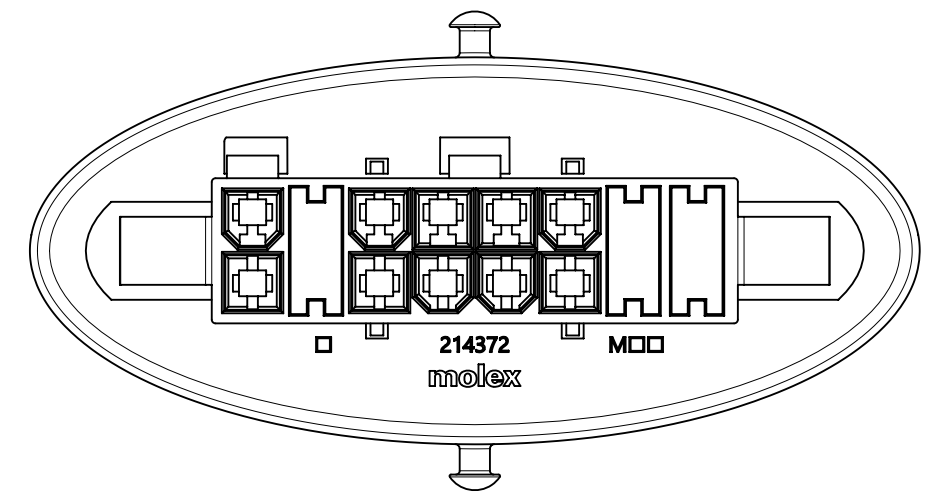
THIS DRAWING CONTAINS INFORMATION THAT IS PROPRIETARY TO MOLEX ELECTRONIC TECHNOLOGIES, LLC AND SHOULD NOT BE USED WITHOUT WRITTEN PERMISSION										
DIMENSION UNITS	SCALE	CURRENT REV DESC: ADD ENGRAVING ON MATE SIDE								
mm	2:1	<div style="text-align: center;"><b>molex</b></div> MINI-FIT SIGMA SEAL HYBRID PLUG 16 CIRCUIT FOOTPRINT								
GENERAL TOLERANCES (UNLESS SPECIFIED)										
ANGULAR TOL	± 0.5°	EC NO: 668466		2021/06/28		DOCUMENT NUMBER		DOC TYPE	DOC PART	REVISION
4 PLACES	±	DRWN: MKIPPER		2021/06/29		2143720000-SD		PSD	000	A2
3 PLACES	±	CHK'D: ZIXUAQ		2021/06/30		PRODUCT CUSTOMER DRAWING				
2 PLACES	± 0.25	APPR: FSMITH		2021/06/30		INITIAL REVISION:				
1 PLACE	± 0.35	DRWN: DSTEIER		2020/04/13		DRWN: DSTEIER				
0 PLACES	±	APPR: YXZHENG		2021/04/07		APPR: YXZHENG				
DRAFT WHERE APPLICABLE MUST REMAIN WITHIN DIMENSIONS		THIRD ANGLE PROJECTION		DRAWING	SERIES	MATERIAL NUMBER	CUSTOMER	SHEET NUMBER		
				B-SIZE	214372	SEE TABLE	GENERAL MARKET	1 OF 2		



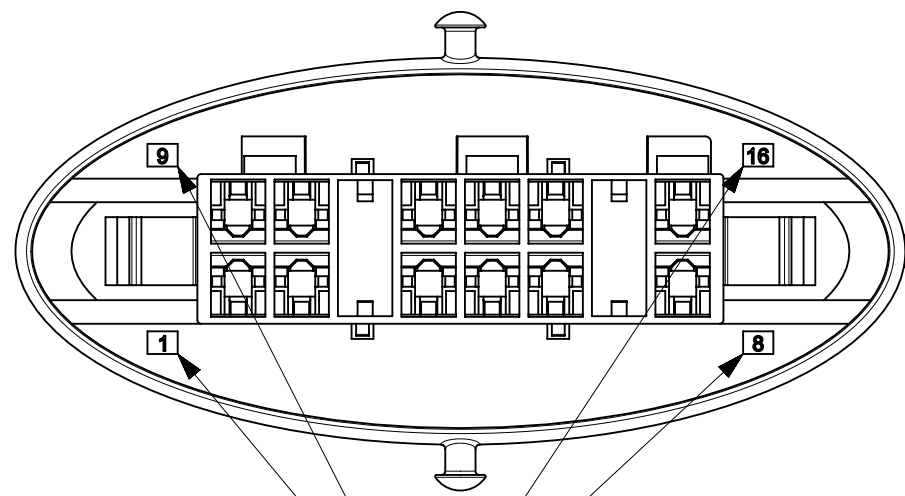
2143720001



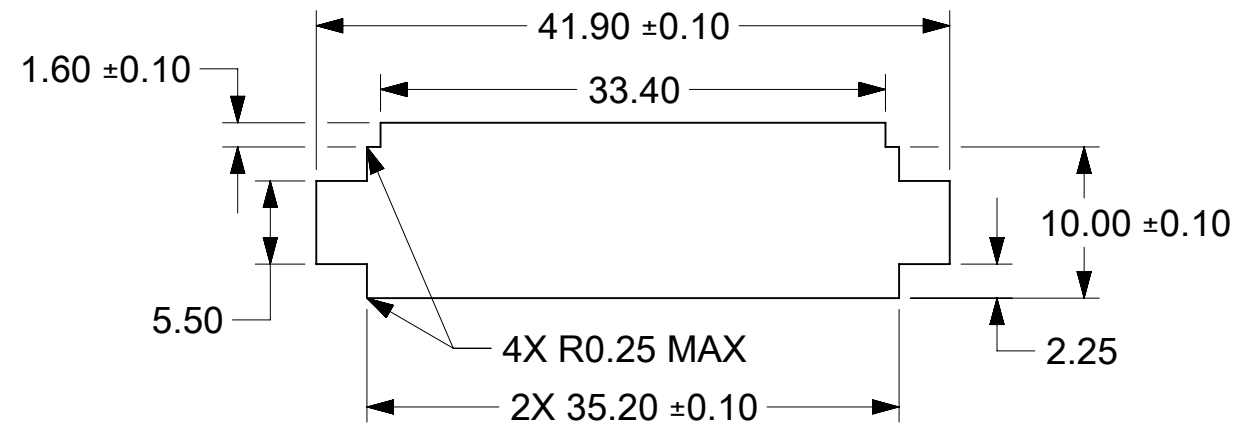
2143720002



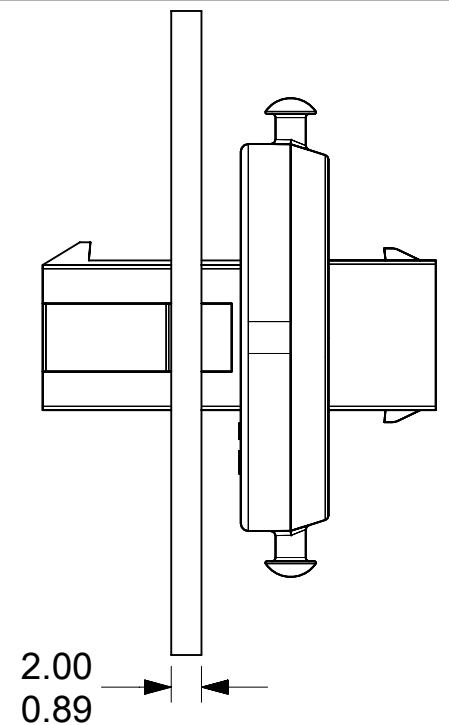
2143720003



CIRCUIT POSITION NUMBER



RECOMMENDED PANEL CUT-OUT DIMENSIONS TO BE MAINTAINED ON MATING SIDE OF PANEL SURFACE.



THIS DRAWING CONTAINS INFORMATION THAT IS PROPRIETARY TO MOLEX ELECTRONIC TECHNOLOGIES, LLC AND SHOULD NOT BE USED WITHOUT WRITTEN PERMISSION										
DIMENSION UNITS	SCALE	CURRENT REV DESC: ADD ENGRAVING ON MATE SIDE								
mm	2:1									
GENERAL TOLERANCES (UNLESS SPECIFIED)										
ANGULAR TOL	$\pm 0.5^\circ$									
4 PLACES	$\pm$	EC NO: 668466								
3 PLACES	$\pm$	DRWN: MKIPPER	2021/06/28							
2 PLACES	$\pm 0.25$	CHK'D: ZIXUAQ	2021/06/29							
1 PLACE	$\pm 0.35$	APPR: FSMITH	2021/06/30							
0 PLACES	$\pm$	INITIAL REVISION:								
DRAFT WHERE APPLICABLE MUST REMAIN WITHIN DIMENSIONS		THIRD ANGLE PROJECTION	DRAWING	SERIES	MATERIAL NUMBER	CUSTOMER	DOCUMENT NUMBER	DOC TYPE	DOC PART	REVISION
			B-SIZE	214372	SEE TABLE	GENERAL MARKET	2143720000-SD	PSD	000	A2