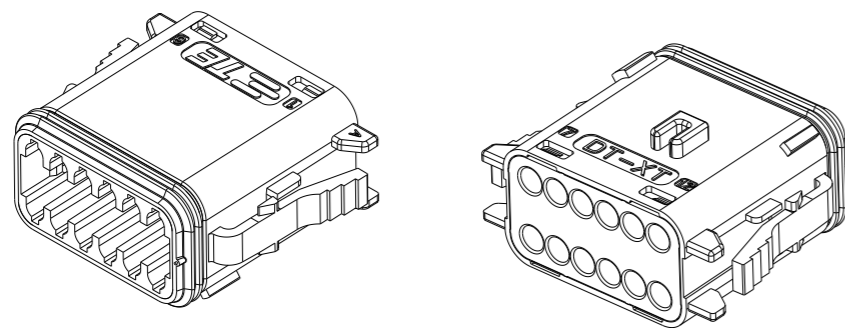
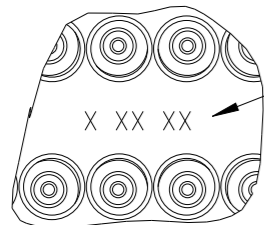
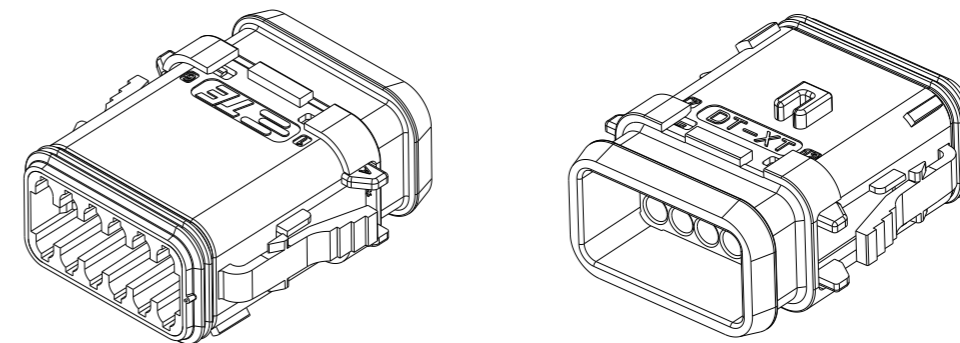


P	LTR	DESCRIPTION	DATE	DWN	APVD
	A	INITIAL RELEASE	20JUN2020	J.S	I.Y
	A1	ECR-20-010349	26JUL2020	J.G	I.Y
	A2	ECR-20-013768	28SEP2020	J.G	I.Y
	A3	ECN-21-113425	17AUG2021	J.G	Z.Z

12CCT PLUG CONNECTOR



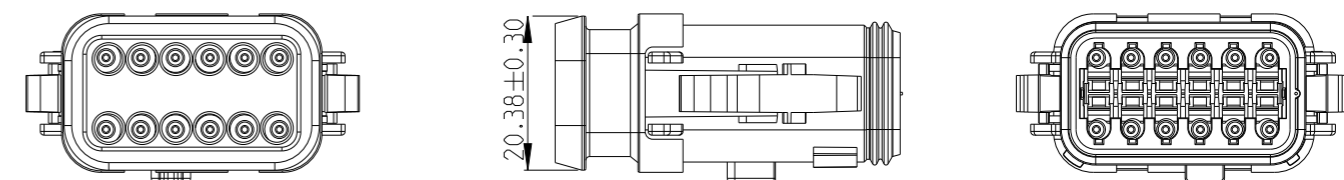
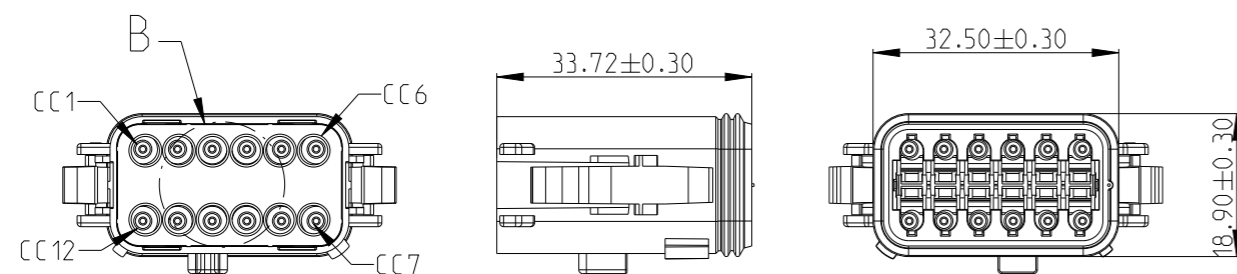
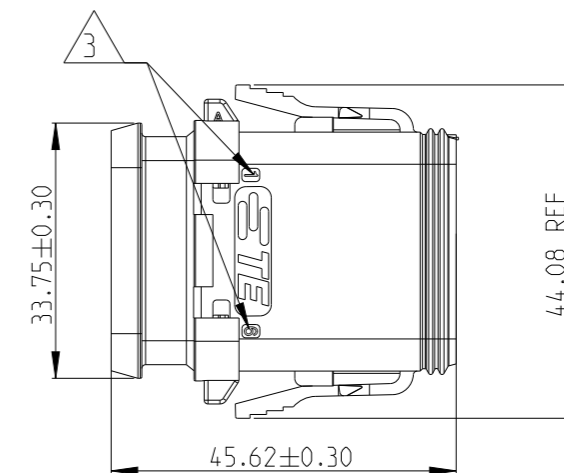
12CCT PLUG CONNECTOR WITH HEATSHRINK HOUSING ULTRASONICALLY WELDED IN PLACE



DATE CODE: X XX XX
 X- DAY: 1- 7
 XX- WEEK: 01 - 52
 XX- YEAR: 00 - 99
 # MACHINE NO. 1

EXAMPLE: 11315 = DAY 1, WEEK 13, YEAR 15
 i.e. 23rd OF MARCH 2015

DETAIL B
 SCALE 2:1



1. THIS PLUG MATES WITH RECEP ASSEMBLY PN X-2600042-X, WEDGE LOCK PN W12S.

2. MATERIAL

PLUG HOUSING: NYLON GF30, PLUG SEAL: SILICONE RUBBER, RED
 BACK SEAL: SILICONE RUBBER
 BACK COVER: NYLON GF30, BLACK
 HEATSHRINK HOUSING: NYLON GF30, BLACK

3 CIRCUIT IDENTIFICATION

4. JACKET RANGE LARGE = Ø2.23mm TO 3.68mm (SEAL COLOUR: LIGHT BLUE)
 JACKET RANGE SMALL = Ø1.20mm TO 3.05mm (SEAL COLOUR: BURNT ORANGE)

5. SEE SHEET 3 FOR FINAL PART NUMBER DESIGNATION

THIS DRAWING IS A CONTROLLED DOCUMENT.

DIMENSIONS:	TOLERANCES UNLESS OTHERWISE SPECIFIED:
mm	
	0 PLC ±
	1 PLC ±
	2 PLC ±
	3 PLC ±
	4 PLC ±
	ANGLES ±
MATERIAL	FINISH
-	-
-	-

DWN	J. SHANG	20JUN2020
CHK	E. JIANG	20JUN2020
APVD	I. YIN	20JUN2020
PRODUCT SPEC	108-160026	
APPLICATION SPEC	114-160017	
WEIGHT	-	
CUSTOMER DRAWING		



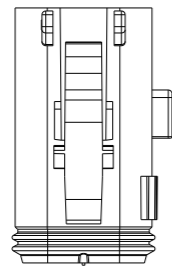
NAME 12CCT DT-XT PLUG CONNECTOR

SIZE	CAGE CODE	DRAWING NO	RESTRICTED TO
A3	00779	C-2600043	-
SCALE 1:1		SHEET 1 OF 3	REV A3

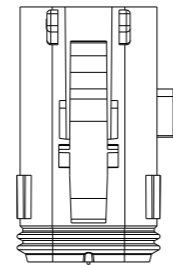
REVISIONS

P	LTR	DESCRIPTION	DATE	DWN	APVD
		SEE SHEET 1			

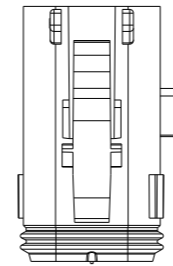
KEYING OPTION A



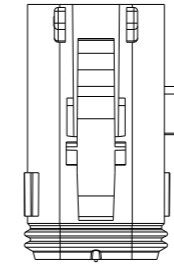
KEYING OPTION B



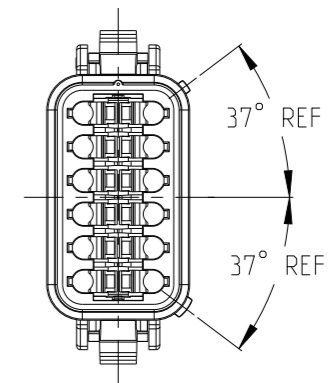
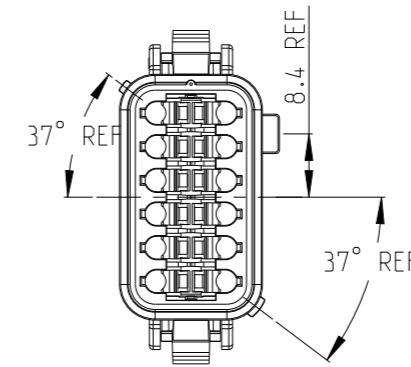
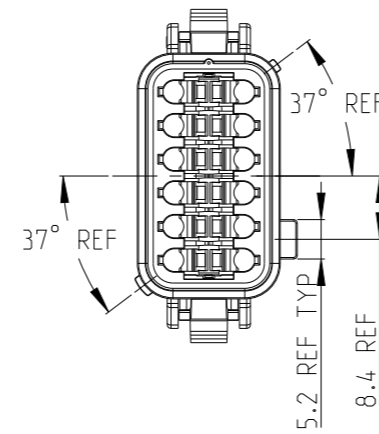
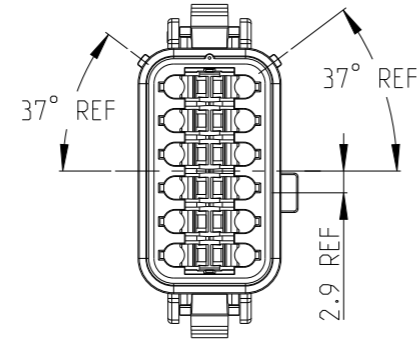
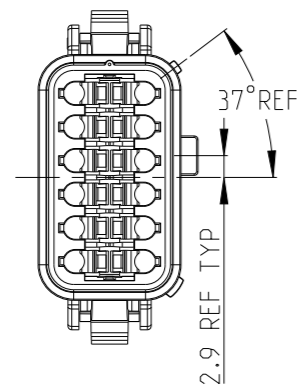
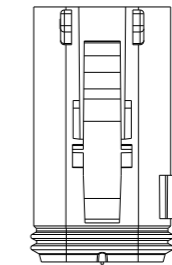
KEYING OPTION C





KEYING OPTION D



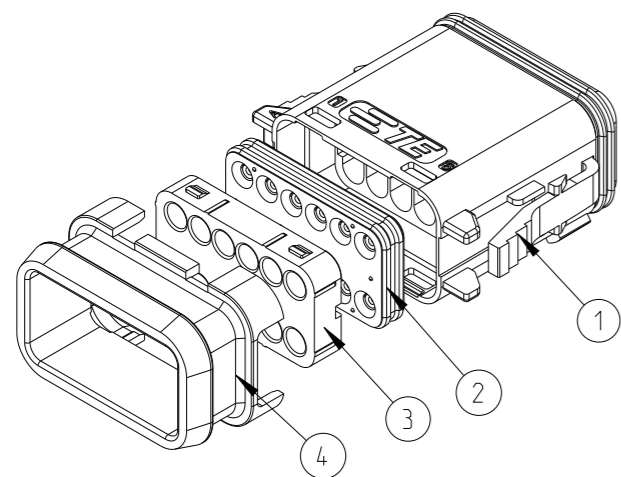
KEYING OPTION E



THIS DRAWING IS A CONTROLLED DOCUMENT.		DWN J. SHANG 20 JUN 2020	 TE Connectivity NAME 12CCT DT-XT PLUG CONNECTOR			
DIMENSIONS: mm		CHK E. JIANG 20 JUN 2020				
		APVD L. YIN 20 JUN 2020				
TOLERANCES UNLESS OTHERWISE SPECIFIED: 0 PLC ± 1 PLC ± 2 PLC ± 3 PLC ± 4 PLC ± ANGLES ±		PRODUCT SPEC 108-160026				
MATERIAL		APPLICATION SPEC 114-160017	SIZE A3	CAGE CODE 00779	DRAWING NO C-2600043	RESTRICTED TO -
		WEIGHT -	SCALE 1:1		SHEET 2 OF 3	REV A3
		CUSTOMER DRAWING				

REVISIONS

P	LTR	DESCRIPTION	DATE	DWN	APVD
		SEE SHEET 1			



QTY.	TE PN	ALIAS PN	REVISION OF EACH ASSY NO.	WEIGHT OF EACH ASSY(g)	COLOR	KEYING	MATERIAL	DESCRIPTION	ITEM NO					
2-	-4	934456652	-	17.47	-	-	-	-	1					
2-	-3	934456647	-	17.47	-	-	-	1	-					
2-	-2	934456633	-	17.47	-	-	1	-	-					
2-	-1	934456621	-	17.47	-	-	1	-	-					
2-	-0	934456611	-	17.47	-	1	-	-	-					
1-	-9	934456612	-	17.47	1	-	-	-	-					
1-	-8	934456552	-	17.47	-	-	-	1	1					
1-	-7	934456547	-	17.47	-	-	-	1	1					
1-	-6	934456533	-	17.47	-	-	1	-	1					
1-	-5	934456521	-	17.47	-	-	1	-	1					
1-	-4	934456511	-	17.47	-	1	-	-	1					
1-	-3	934456512	-	17.47	1	-	-	-	1					
1-	-2	934456252	-	14.52	-	-	-	1	-					
1-	-1	934456247	-	14.52	-	-	-	1	-					
1-	-0	934456233	-	14.52	-	-	1	-	-					
-9	934456221	-	-	14.52	-	-	1	-	-					
-8	934456211	-	-	14.52	-	1	-	-	-					
-7	934456212	-	-	14.52	1	-	-	-	-					
-6	934456152	-	-	14.52	-	-	-	1	-					
-5	934456147	-	-	14.52	-	-	-	1	-					
-4	934456133	-	-	14.52	-	-	1	-	-					
-3	934456121	-	-	14.52	-	-	1	-	-					
-2	934456111	-	-	14.52	-	1	-	-	-					
-1	934456112	-	-	14.52	1	-	-	-	-					
TE PN	ALIAS PN	REVISION OF EACH ASSY NO.	WEIGHT OF EACH ASSY(g)		GREY	BLACK	BLACK	GREEN	BROWN	GREY	BURNT ORANGE	LIGHT BLUE	BLACK	BLACK
					A	A	B	C	D	E	-	-	-	-
					NYLON GF30	NYLON GF30	NYLON GF30	NYLON GF30	NYLON GF30	NYLON GF30	SILICONE RUBBER	SILICONE RUBBER	NYLON GF30	NYLON GF30
					PLUG HOUSING						BACK SEAL SMALL	BACK SEAL LARGE	BACK COVER	HEATSHRINK HOUSING
					1						2		3	4

THIS DRAWING IS A CONTROLLED DOCUMENT.

DWN J.SHANG 20JUN2020

CHK E.JIANG 20JUN2020

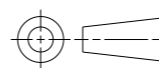
APVD L.YIN 20JUN2020

NAME 12CCT DT-XT PLUG CONNECTOR



DIMENSIONS: mm

TOLERANCES UNLESS OTHERWISE SPECIFIED:



- 0 PLC ±
- 1 PLC ±
- 2 PLC ±
- 3 PLC ±
- 4 PLC ±
- ANGLES ±
- FINISH -

MATERIAL -

PRODUCT SPEC 108-160026

APPLICATION SPEC 114-160017

WEIGHT -

SIZE A3 CAGE CODE 00779 DRAWING NO C=2600043 RESTRICTED TO -

CUSTOMER DRAWING SCALE 1:1 SHEET 3 OF 3 REV A3