

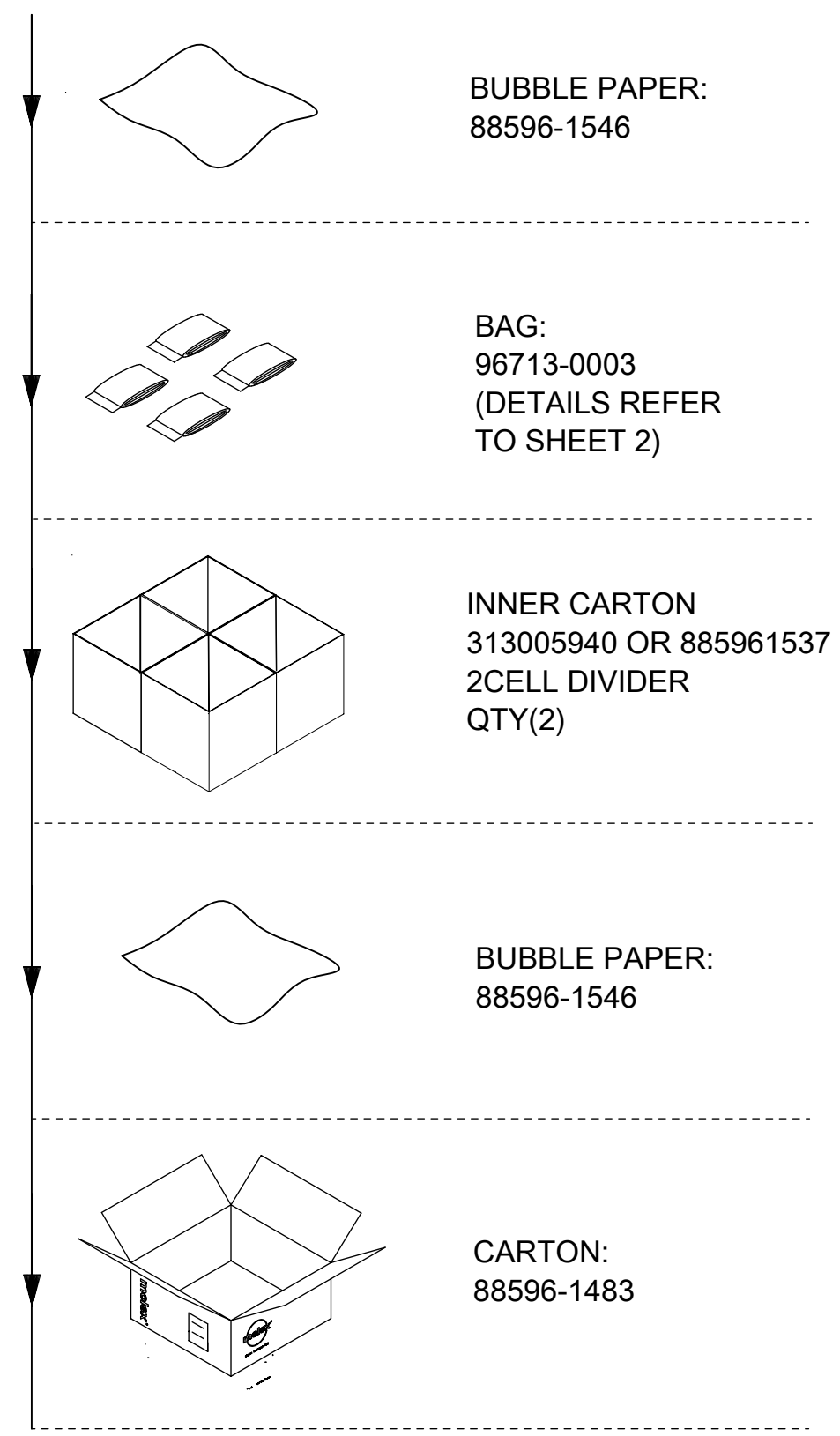


PART NUMBER	CKTS	QUANTITY PER BAG	BAGS PER CARTON	PARTS PER CARTON (SPQ)	MOISTURIZATION METHOD 	PANEL LOCK
215922-0201	2	3000	4	12000	NO MOISTURIZATION	WITHOUT
215922-0401	4	2600	4	10400		
215922-0601	6	2000	4	8000		
215922-0801	8	1700	4	6800		
215922-1001	10	1400	4	5600		
215922-1201	12	1000	4	4000		
215922-1401	14	800	4	3200		
215922-1601	16	800	4	3200		
215922-1801	18	600	4	2400		
215922-2001	20	600	4	2400		
215922-2201	22	600	4	2400		
215922-2401	24	450	4	1800		
215922-0200	2	2000	4	8000	SEE SHEET 2	WITH
215922-0400	4	1800	4	7200		
215922-0600	6	1600	4	6400		
215922-0800	8	1100	4	4400		
215922-1000	10	1000	4	4000		
215922-1200	12	900	4	3600		
215922-1400	14	800	4	3200		
215922-1600	16	700	4	2800		
215922-1800	18	600	4	2400		
215922-2000	20	600	4	2400		
215922-2200	22	400	4	1600		
215922-2400	24	350	4	1400		

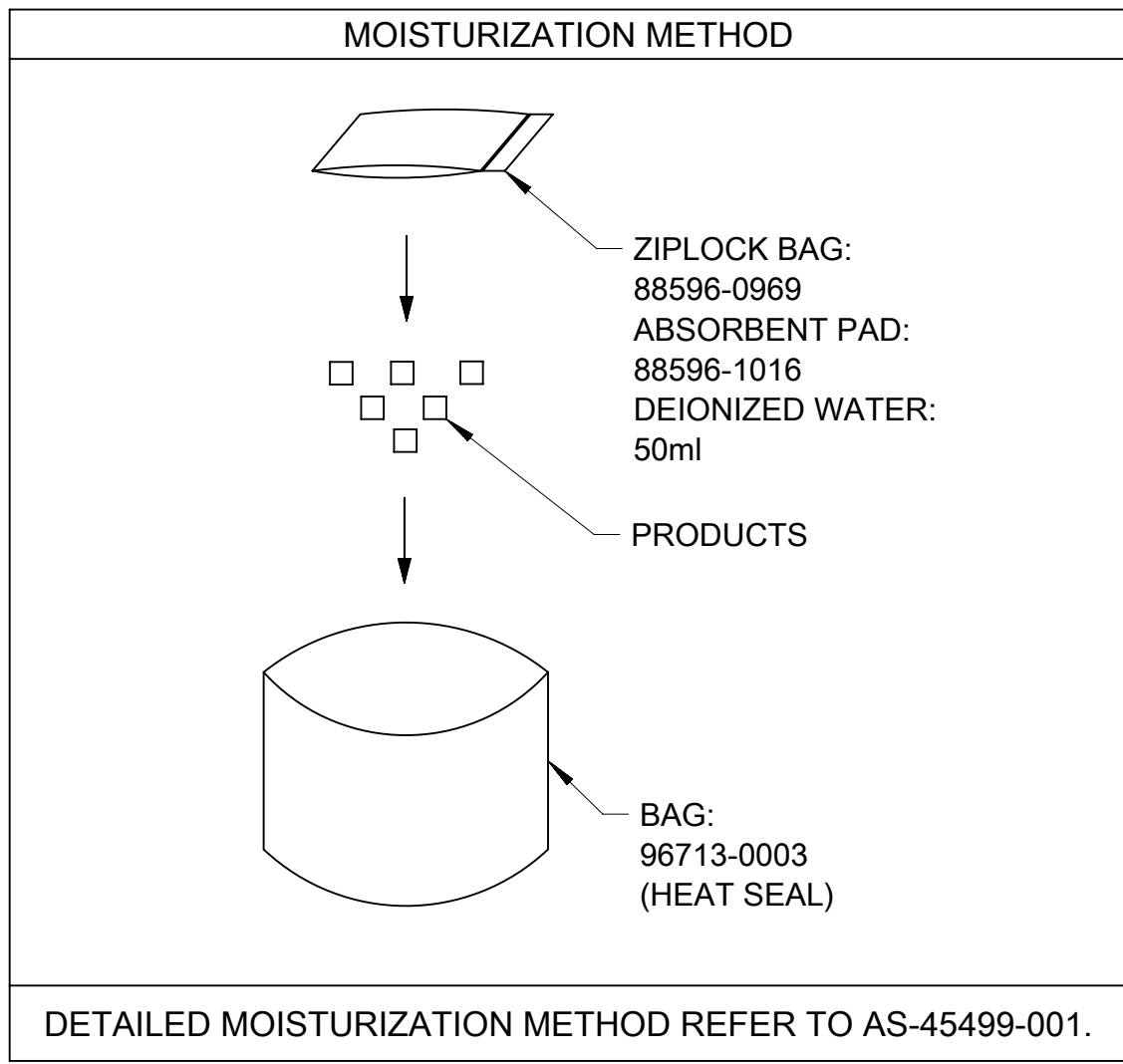
TBD: NO PRODUCTION, TO BE ADDED AFTER BEING PRODUCED.

NOTES:

-  MOISTURIZATION METHOD DESCRIPTIONS REFER TO SHEET 2.
- STANDARD PACKAGE QUANTITY (SPQ) SEE ABOVE CHART.
- PACKAGE WAY FOLLOW RIGHT ILLUSTRATION.
- ALL PACKAGE MATERIAL AND PRODUCT COMPLIANT TO RoHS DIRECTIVE 2011/65/EU AND ELV DIRECTIVE 2000/53/EC.

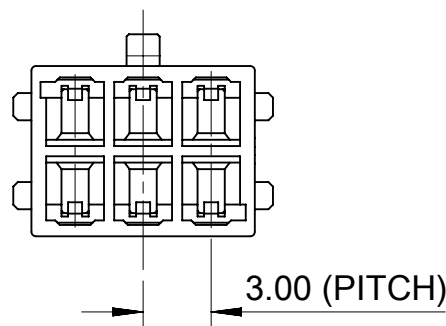
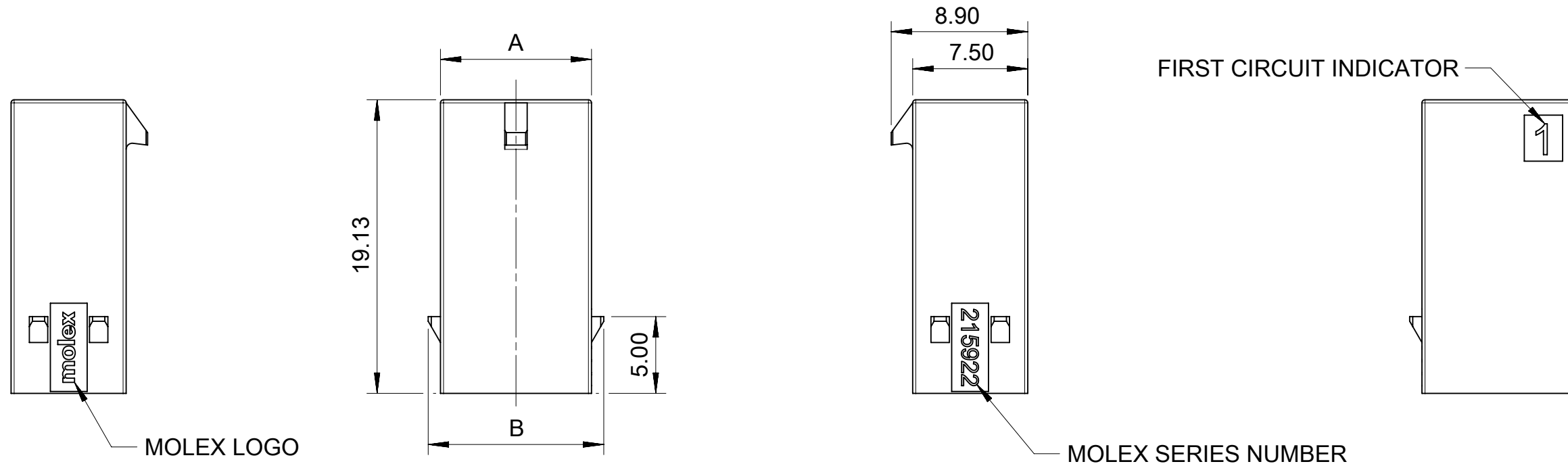


FUNCTIONAL SYMBOLS	THIS DRAWING CONTAINS INFORMATION THAT IS PROPRIETARY TO MOLEX ELECTRONIC TECHNOLOGIES, LLC AND SHOULD NOT BE USED WITHOUT WRITTEN PERMISSION		CURRENT REV DESC:			molex							
	mm	1:1											
DIVISIONAL SYMBOLS	GENERAL TOLERANCES (UNLESS SPECIFIED)		EC NO: 725570 DRWN: GLLI 2022/08/29 CHK'D: XQZHANG 2022/10/31 APPR: XQZHANG 2022/10/31			PACKING SPEC FOR MICRO-FIT PLUS WTW HSG							
	ANGULAR TOL ± °								PRODUCT CUSTOMER DRAWING				
	4 PLACES	±				INITIAL REVISION: DRWN: GLLI 2021/10/28 APPR: XQZHANG 2021/11/15						DOCUMENT NUMBER	
	3 PLACES	± 0.1							2159220000-PK		PSD	000	B
	2 PLACES	± 0.3				MATERIAL NUMBER		CUSTOMER		SHEET NUMBER			
1 PLACE	± 0.5	A3-SIZE		215922		1 OF 2							
0 PLACES	±	DRAFT WHERE APPLICABLE MUST REMAIN WITHIN DIMENSIONS		THIRD ANGLE PROJECTION									



THIS DRAWING CONTAINS INFORMATION THAT IS PROPRIETARY TO MOLEX ELECTRONIC TECHNOLOGIES, LLC AND SHOULD NOT BE USED WITHOUT WRITTEN PERMISSION																								
FUNCTIONAL SYMBOLS	△/A = 0	mm	SCALE	1:1	CURRENT REV DESC:																			
	△/E = 0	GENERAL TOLERANCES (UNLESS SPECIFIED)													EC NO: 725570 DRWN: GLLI 2022/08/29 CHK'D: XQZHANG 2022/10/31 APPR: XQZHANG 2022/10/31					PACKING SPEC FOR MICRO-FIT PLUS WTW HSG				
	△/P = 0	ANGULAR TOL ± °																						
DIVISIONAL SYMBOLS	4 PLACES ±				INITIAL REVISION: DRWN: GLLI 2021/10/28 APPR: XQZHANG 2021/11/15					DOCUMENT NUMBER		DOC TYPE	DOC PART	REVISION										
	3 PLACES ± 0.1									2159220000-PK		PSD	000	B										
	2 PLACES ± 0.3									MATERIAL NUMBER		CUSTOMER												
	1 PLACE ± 0.5									A3-SIZE		215922		SHEET NUMBER										
0 PLACES ±				DRAFT WHERE APPLICABLE MUST REMAIN WITHIN DIMENSIONS		THIRD ANGLE PROJECTION		DRAWING		SERIES		MATERIAL NUMBER		CUSTOMER		SHEET NUMBER								
								A3-SIZE		215922						2 OF 2								

FREE HANGING PLUG PARTS

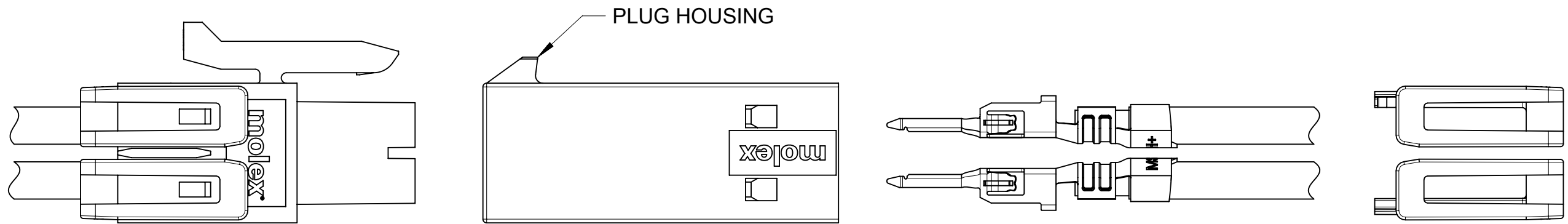
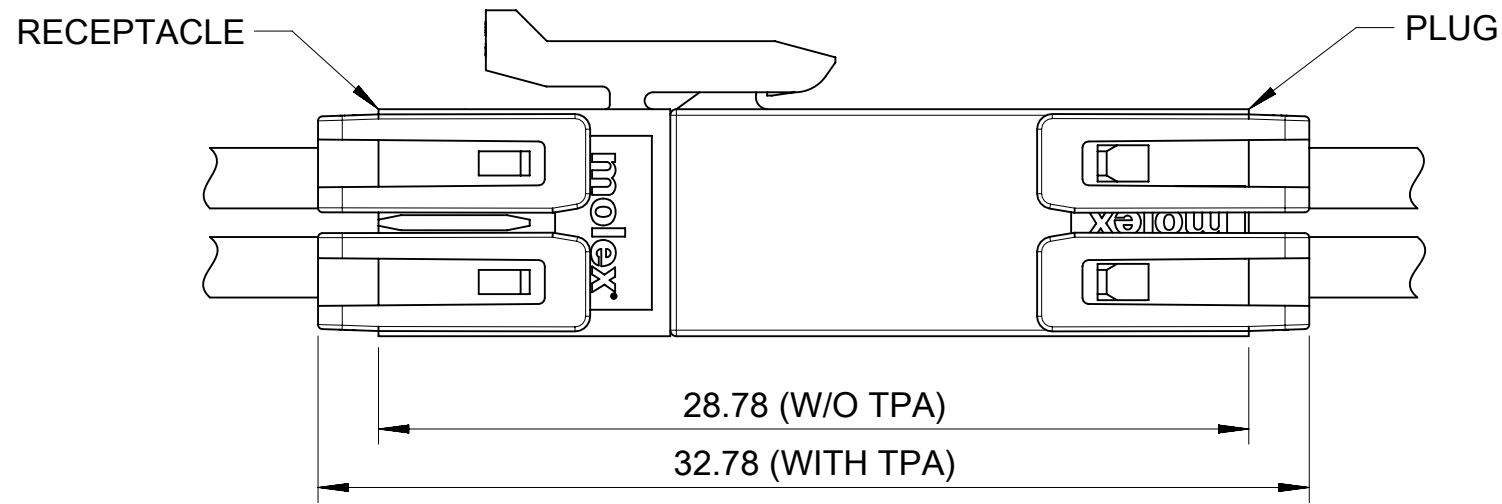


PART No	DIM'A'	DIM'B'	CKT SIZE
215922-0201	3.85	5.45	2
215922-0401	6.85	8.45	4
215922-0601	9.85	11.45	6
215922-0801	12.85	14.45	8
215922-1001	15.85	17.45	10
215922-1201	18.85	20.45	12
215922-1401	21.85	23.45	14
215922-1601	24.85	26.45	16
215922-1801	27.85	29.45	18
215922-2001	30.85	32.45	20
215922-2201	33.85	35.45	22
215922-2401	36.85	38.45	24

- NOTES:
1. MATERIAL: PA66, 94V-0, BLACK.
 2. PRODUCT SPECIFICATION: 2159530000-PS.
 3. PACKAGE SPECIFICATION: 2159220000-PK.
 4. TO USE WITH TERMINAL OF 2015953-****.
 5. TO USE WITH TPA OF 206462-****.
 6. TO MATE WITH RECEPTACLE OF 206461-****.
 7. PARTS CONFORM TO CLASS 'B' REQUIREMENTS OF COSMETIC SPECIFICATION PS-45499-002.

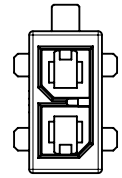
FUNCTIONAL SYMBOLS	THIS DRAWING CONTAINS INFORMATION THAT IS PROPRIETARY TO MOLEX ELECTRONIC TECHNOLOGIES, LLC AND SHOULD NOT BE USED WITHOUT WRITTEN PERMISSION		CURRENT REV DESC:					
	DIMENSION UNITS	SCALE						
$\nabla_A = 0$	mm	1:1	EC NO: 712744		PRODUCT CUSTOMER DRAWING			
$\nabla_E = 0$	GENERAL TOLERANCES (UNLESS SPECIFIED)		DRWN: GLLI 2022/07/01					
$\nabla_{E'} = 0$	ANGULAR TOL \pm °		CHK'D: XQZHANG 2022/07/05		DOCUMENT NUMBER: 2159220000-SD DOC TYPE: PSD DOC PART: 000 REVISION: A1			
DIVISIONAL SYMBOLS	4 PLACES \pm		APPR: XQZHANG 2022/07/05					
	3 PLACES \pm		INITIAL REVISION:		MATERIAL NUMBER: 215922 CUSTOMER: GENERAL MARKET SHEET NUMBER: 1 OF 6			
	2 PLACES ± 0.2		DRWN: GLLI 2021/01/29					
	1 PLACE ± 0.3		APPR: XQZHANG 2021/11/15		SERIES: 215922			
	0 PLACES \pm		DRAFT WHERE APPLICABLE MUST REMAIN WITHIN DIMENSIONS					
	THIRD ANGLE PROJECTION		DRAWING: A3-SIZE					
	DRAWING: A3-SIZE		SERIES: 215922					

FREE HANGING PLUG PARTS

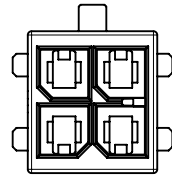


FUNCTIONAL SYMBOLS	THIS DRAWING CONTAINS INFORMATION THAT IS PROPRIETARY TO MOLEX ELECTRONIC TECHNOLOGIES, LLC AND SHOULD NOT BE USED WITHOUT WRITTEN PERMISSION		CURRENT REV DESC:		molex				
	△/A = 0	mm							SCALE 1:1
DIVISIONAL SYMBOLS	GENERAL TOLERANCES (UNLESS SPECIFIED)				EC NO: 712744				
	ANGULAR TOL ± °				DRWN: GLLI 2022/07/01				
	4 PLACES ±				CHK'D: XQZHANG 2022/07/05				
	3 PLACES ±				APPR: XQZHANG 2022/07/05				
	2 PLACES ± 0.2				INITIAL REVISION:				
1 PLACE ± 0.3				DRWN: GLLI 2021/01/29					
0 PLACES ±				APPR: XQZHANG 2021/11/15					
DRAFT WHERE APPLICABLE MUST REMAIN WITHIN DIMENSIONS				THIRD ANGLE PROJECTION	DRAWING	SERIES	MATERIAL NUMBER	CUSTOMER	SHEET NUMBER
				⊗	A3-SIZE	215922	2159220000-SD	GENERAL MARKET	2 OF 6

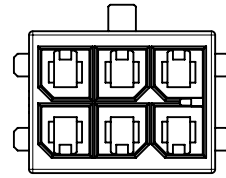
FREE HANGING PLUG PARTS



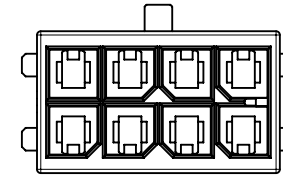
2 CKT



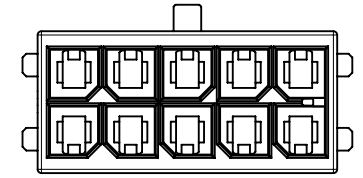
4 CKT



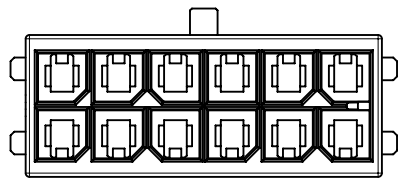
6 CKT



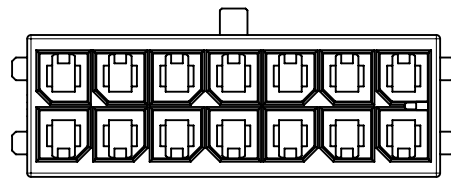
8 CKT



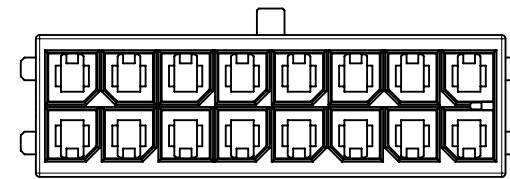
10 CKT



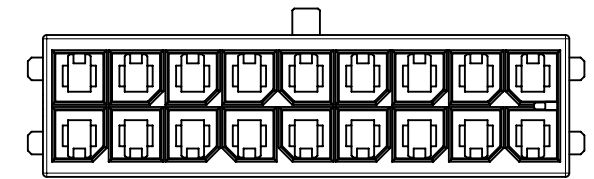
12 CKT



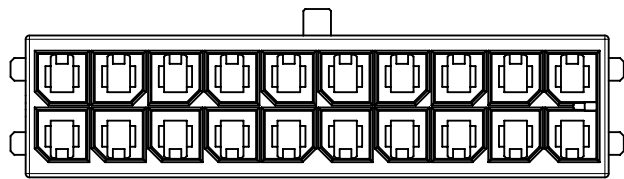
14 CKT



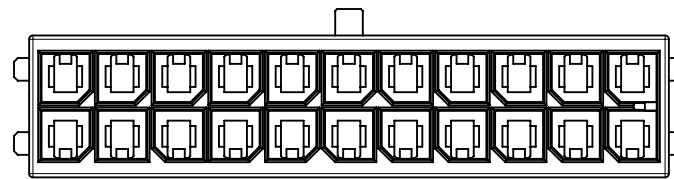
16 CKT



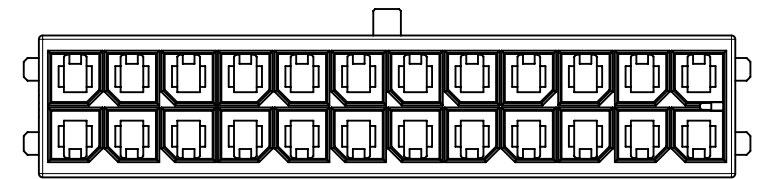
18 CKT



20 CKT



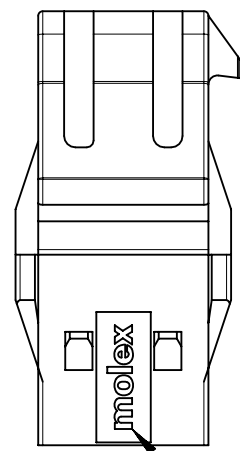
22 CKT



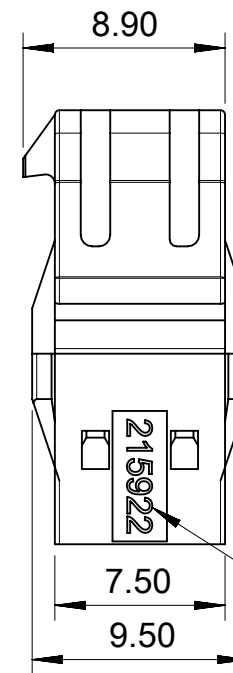
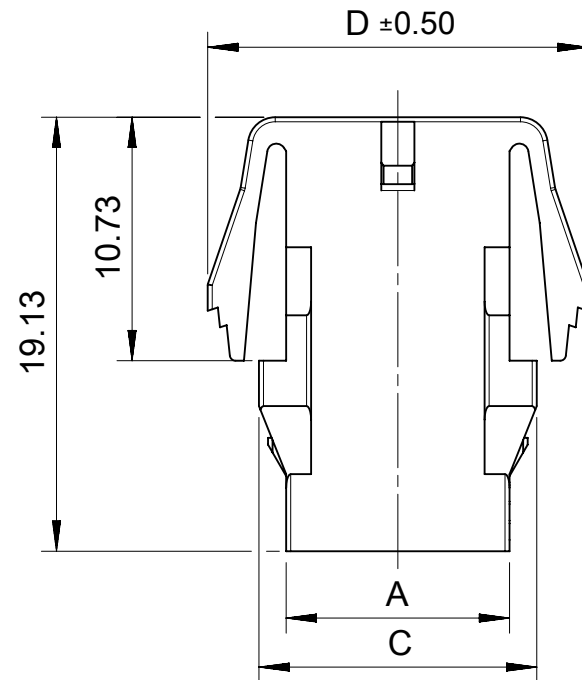
24 CKT

FUNCTIONAL SYMBOLS	THIS DRAWING CONTAINS INFORMATION THAT IS PROPRIETARY TO MOLEX ELECTRONIC TECHNOLOGIES, LLC AND SHOULD NOT BE USED WITHOUT WRITTEN PERMISSION		CURRENT REV DESC:					
	$\nabla_A = 0$ $\nabla_E = 0$ $\nabla_V = 0$	DIMENSION UNITS mm						
DIVISIONAL SYMBOLS	4 PLACES ±	EC NO: 712744		2022/07/01		PLUG HOUSING OF MICRO-FIT PLUS WTW DR POWER CONNECTOR		
	3 PLACES ±	DRWN: GLLI		2022/07/05		PRODUCT CUSTOMER DRAWING		
	2 PLACES ± 0.2	CHK'D: XQZHANG		2022/07/05		DOCUMENT NUMBER		
	1 PLACE ± 0.3	APPR: XQZHANG		2022/07/05		2159220000-SD		
	0 PLACES ±	INITIAL REVISION:		2021/01/29		DOC TYPE		
DRAFT WHERE APPLICABLE MUST REMAIN WITHIN DIMENSIONS		THIRD ANGLE PROJECTION		DRAWING		SERIES		
				A3-SIZE		215922		
				MATERIAL NUMBER		CUSTOMER		
				GENERAL MARKET		SHEET NUMBER		
						3 OF 6		

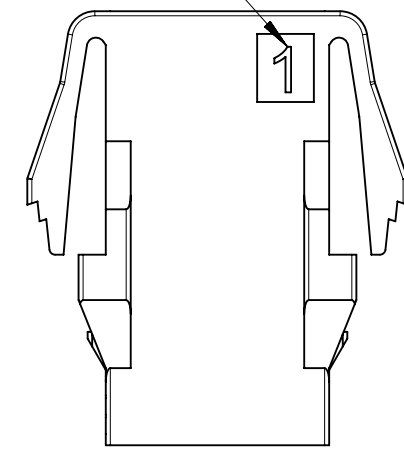
PANEL MOUNT PLUG PARTS



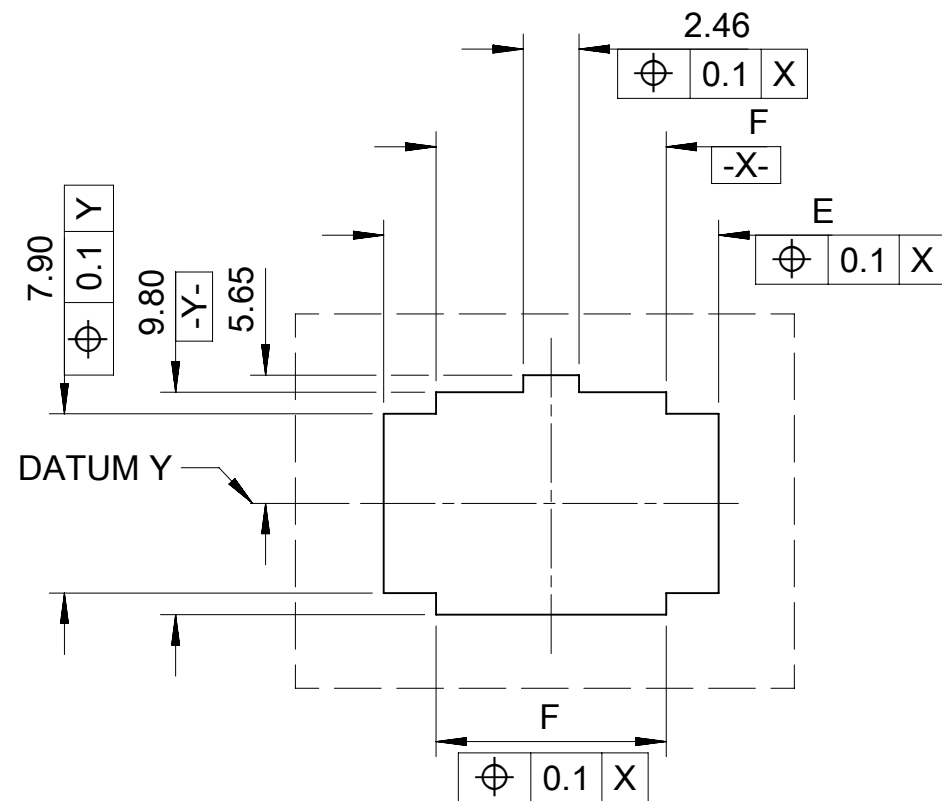
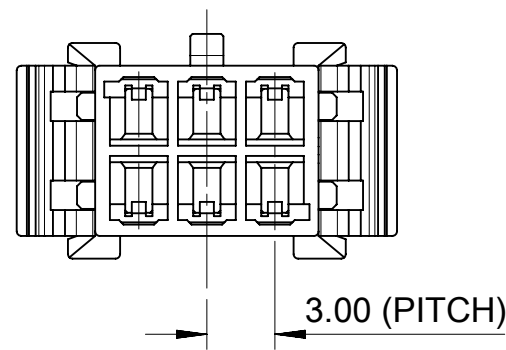
MOLEX LOGO



FIRST CIRCUIT INDICATOR



MOLEX SERIES NUMBER

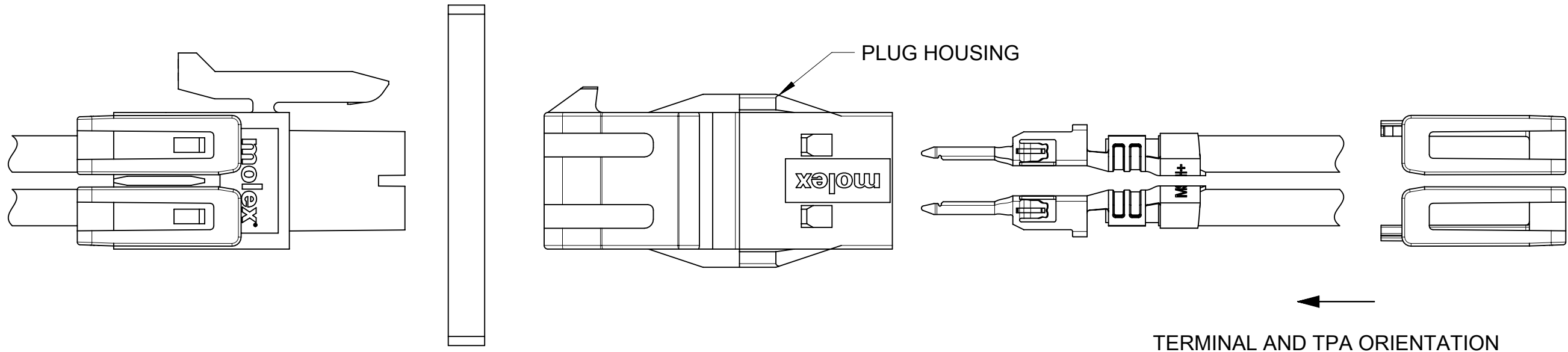
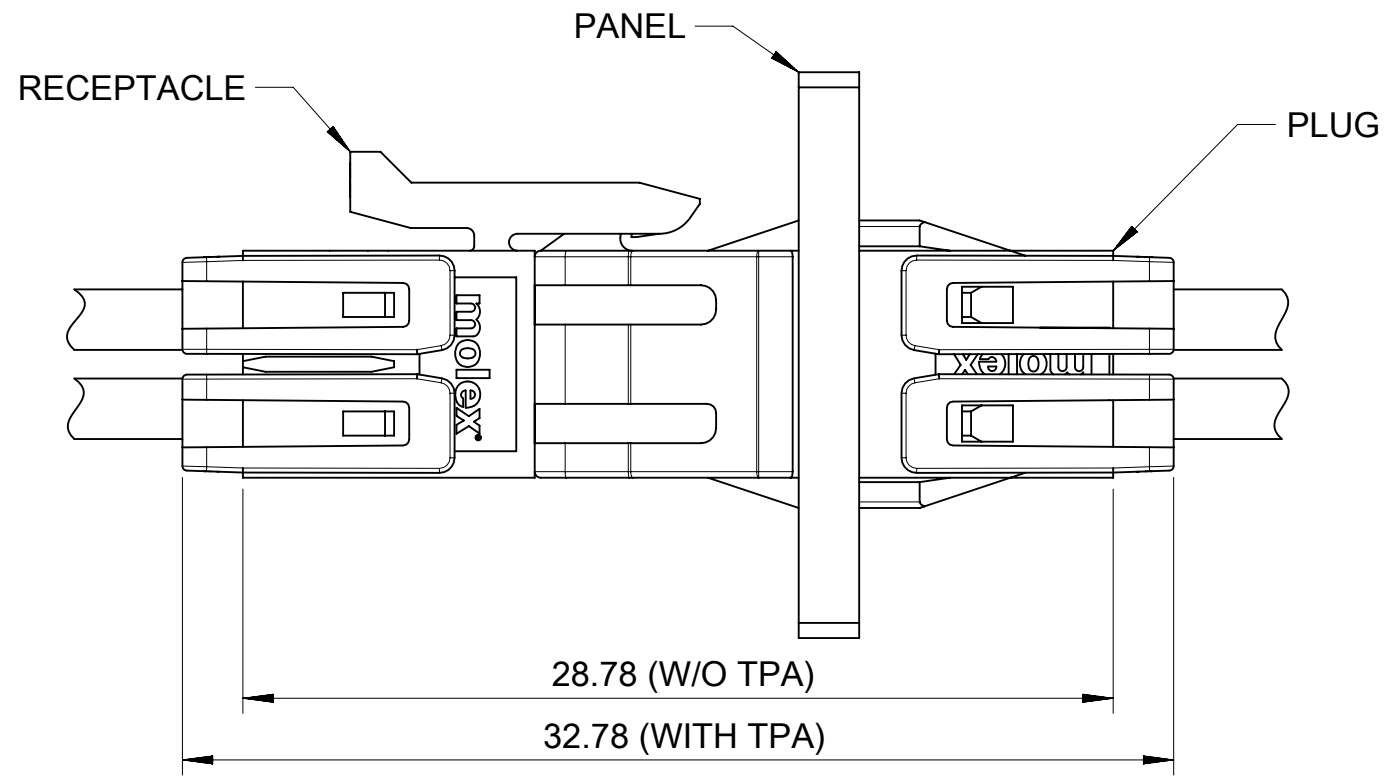


RECOMMENDED PANEL CUT OUT
(TOLERRANCE +/-0.05 THICKNESS=1.2~2.2MM)

PART No	DIM 'A'	DIM 'C'	DIM 'D'	DIM 'E'	DIM 'F'	CKT SIZE
215922-0200	3.85	6.25	10.77	8.77	4.15	2
215922-0400	6.85	9.25	13.77	11.77	7.15	4
215922-0600	9.85	12.25	16.77	14.77	10.15	6
215922-0800	12.85	15.25	19.77	17.77	13.15	8
215922-1000	15.85	18.25	22.77	20.77	16.15	10
215922-1200	18.85	21.25	25.77	23.77	19.15	12
215922-1400	21.85	24.25	28.77	26.77	22.15	14
215922-1600	24.85	27.25	31.77	29.77	25.15	16
215922-1800	27.85	30.25	34.77	32.77	28.15	18
215922-2000	30.85	33.25	37.77	35.77	31.15	20
215922-2200	33.85	36.25	40.77	38.77	34.15	22
215922-2400	36.85	39.25	43.77	41.77	37.15	24

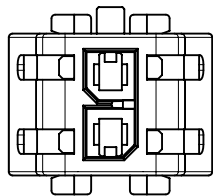
FUNCTIONAL SYMBOLS	THIS DRAWING CONTAINS INFORMATION THAT IS PROPRIETARY TO MOLEX ELECTRONIC TECHNOLOGIES, LLC AND SHOULD NOT BE USED WITHOUT WRITTEN PERMISSION	CURRENT REV DESC:						
	DIMENSION UNITS: mm SCALE: 1:1 GENERAL TOLERANCES (UNLESS SPECIFIED): ANGULAR TOL ± ° 4 PLACES ± 3 PLACES ± 2 PLACES ± 0.2 1 PLACE ± 0.3 0 PLACES ±	EC NO: 712744 DRWN: GLLI CHK'D: XQZHANG APPR: XQZHANG						2022/07/01 2022/07/05 2022/07/05
DIVISIONAL SYMBOLS	DRAFT WHERE APPLICABLE MUST REMAIN WITHIN DIMENSIONS		THIRD ANGLE PROJECTION	DRAWING: A3-SIZE	SERIES: 215922	MATERIAL NUMBER:	CUSTOMER: GENERAL MARKET	SHEET NUMBER: 4 OF 6
	PRODUCT CUSTOMER DRAWING		DOCUMENT NUMBER: 2159220000-SD		DOC TYPE: PSD	DOC PART: 000	REVISION: A1	

PANEL MOUNT PLUG PARTS

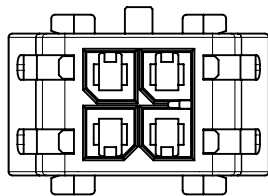


FUNCTIONAL SYMBOLS	THIS DRAWING CONTAINS INFORMATION THAT IS PROPRIETARY TO MOLEX ELECTRONIC TECHNOLOGIES, LLC AND SHOULD NOT BE USED WITHOUT WRITTEN PERMISSION		<div style="text-align: center; font-size: 24pt; font-weight: bold;">molex</div>			
	$\nabla_A = 0$ $\nabla_F = 0$ $\nabla_P = 0$	DIMENSION UNITS: mm SCALE: 1:1				
DIVISIONAL SYMBOLS	GENERAL TOLERANCES (UNLESS SPECIFIED)		EC NO: 712744		2022/07/01	
	ANGULAR TOL ± °		DRWN: GLLI		2022/07/05	
	4 PLACES ±	APPR: XQZHANG		2022/07/05		
	3 PLACES ±	INITIAL REVISION:		2021/01/29		
	2 PLACES ± 0.2	DRWN: GLLI		2021/11/15		
1 PLACE ± 0.3	APPR: XQZHANG		2021/11/15			
0 PLACES ±	DRAFT WHERE APPLICABLE MUST REMAIN WITHIN DIMENSIONS		THIRD ANGLE PROJECTION		DRAWING: A3-SIZE	
DOCUMENT NUMBER: 2159220000-SD			DOC TYPE: PSD		DOC PART: 000	
REVISION: A1			MATERIAL NUMBER: 215922		SERIES: 215922	
CUSTOMER: GENERAL MARKET			SHEET NUMBER: 5 OF 6			

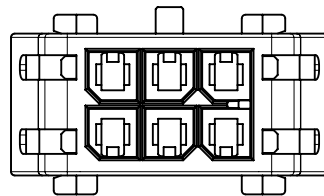
PANEL MOUNT PLUG PARTS



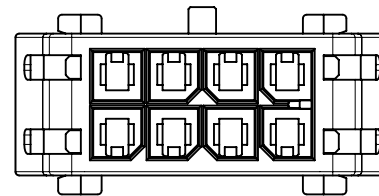
2 CKT



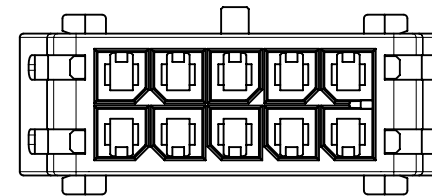
4 CKT



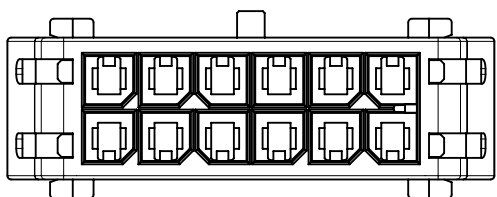
6 CKT



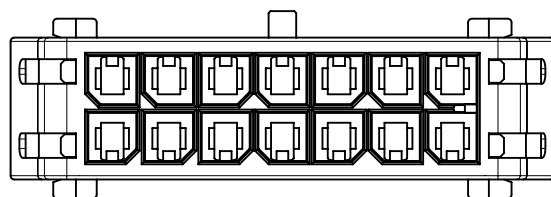
8 CKT



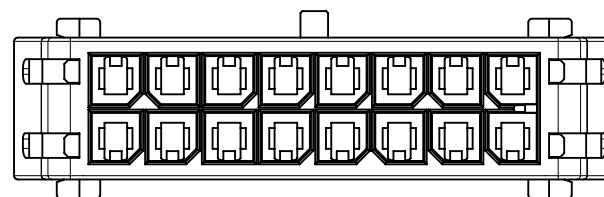
10 CKT



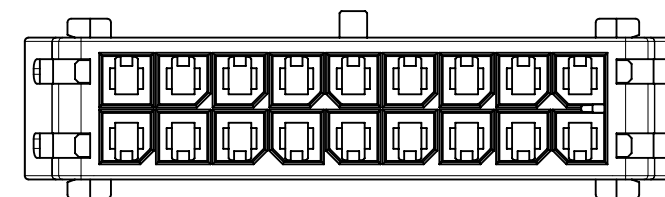
12 CKT



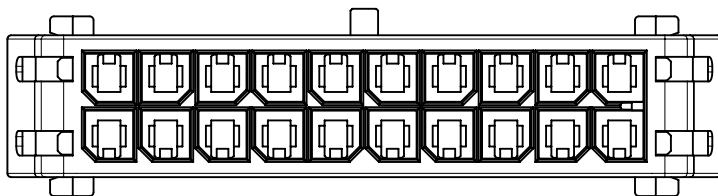
14 CKT



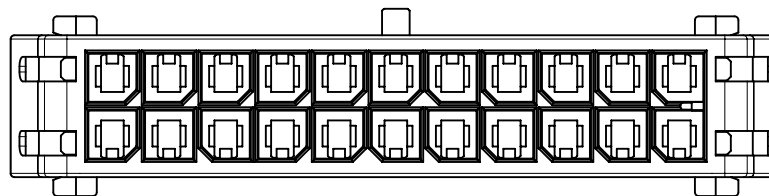
16 CKT



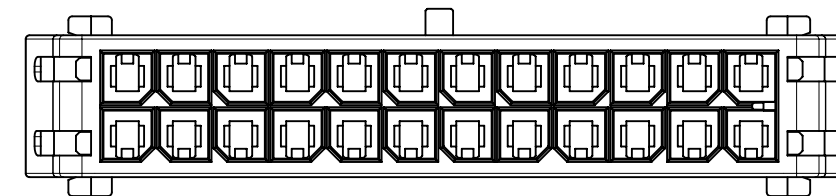
18 CKT



20 CKT



22 CKT



24 CKT

FUNCTIONAL SYMBOLS	THIS DRAWING CONTAINS INFORMATION THAT IS PROPRIETARY TO MOLEX ELECTRONIC TECHNOLOGIES, LLC AND SHOULD NOT BE USED WITHOUT WRITTEN PERMISSION		<div style="text-align: center; font-weight: bold; font-size: 1.2em;">molex</div> <p>PLUG HOUSING OF MICRO-FIT PLUS WTW DR POWER CONNECTOR</p>			
	$\nabla_A = 0$ $\nabla_E = 0$ $\nabla_F = 0$	DIMENSION UNITS: mm SCALE: 1:1 GENERAL TOLERANCES (UNLESS SPECIFIED) ANGULAR TOL ± ° 4 PLACES ± 3 PLACES ± 2 PLACES ± 0.2 1 PLACE ± 0.3 0 PLACES ±				
DIVISIONAL SYMBOLS	DRAFT WHERE APPLICABLE MUST REMAIN WITHIN DIMENSIONS THIRD ANGLE PROJECTION		DRAWING: A3-SIZE SERIES: 215922	DOCUMENT NUMBER: 2159220000-SD MATERIAL NUMBER:	DOC TYPE: PSD CUSTOMER: GENERAL MARKET	DOC PART: 000 REVISION: A1 SHEET NUMBER: 6 OF 6