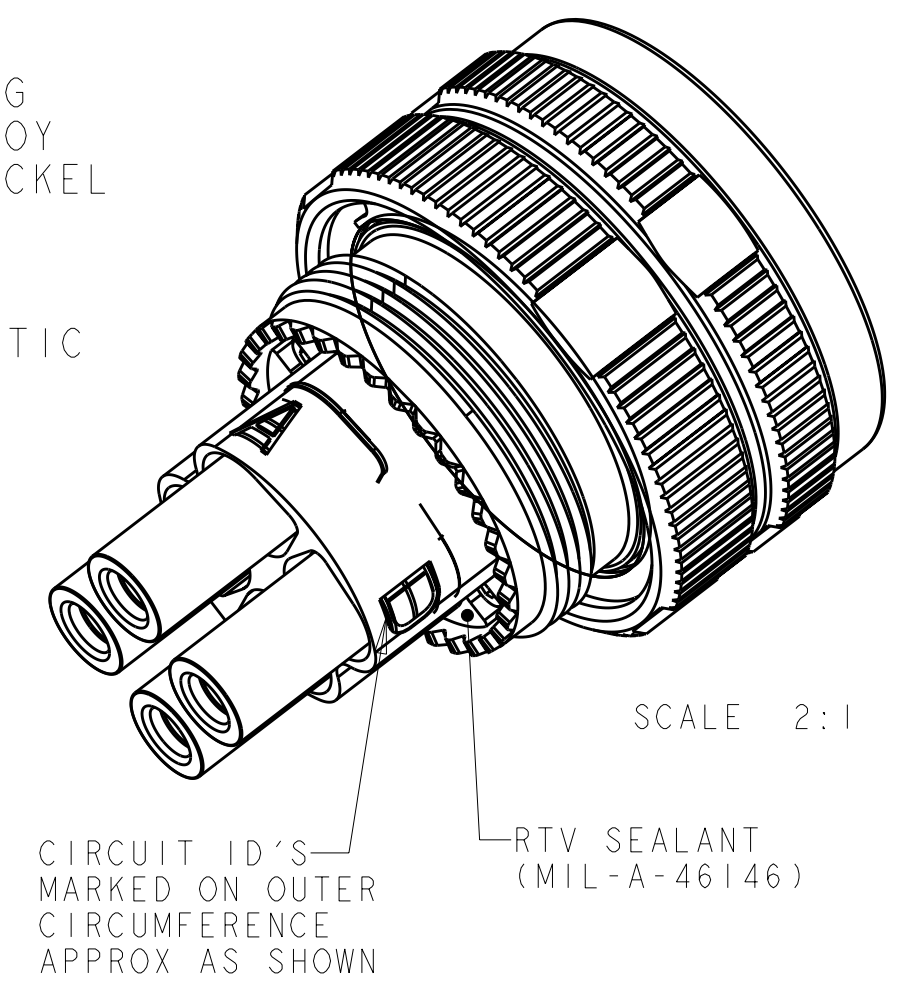
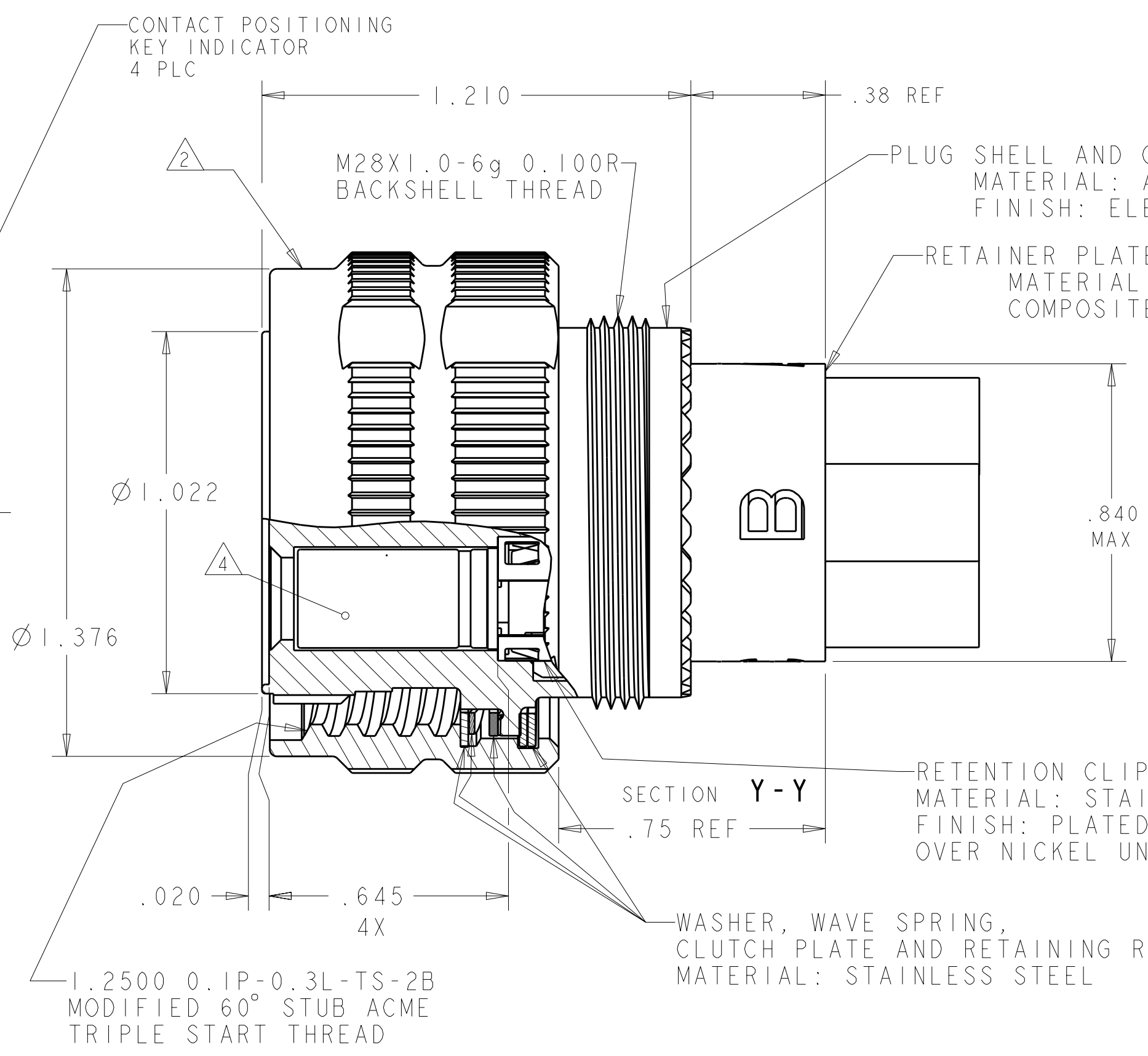
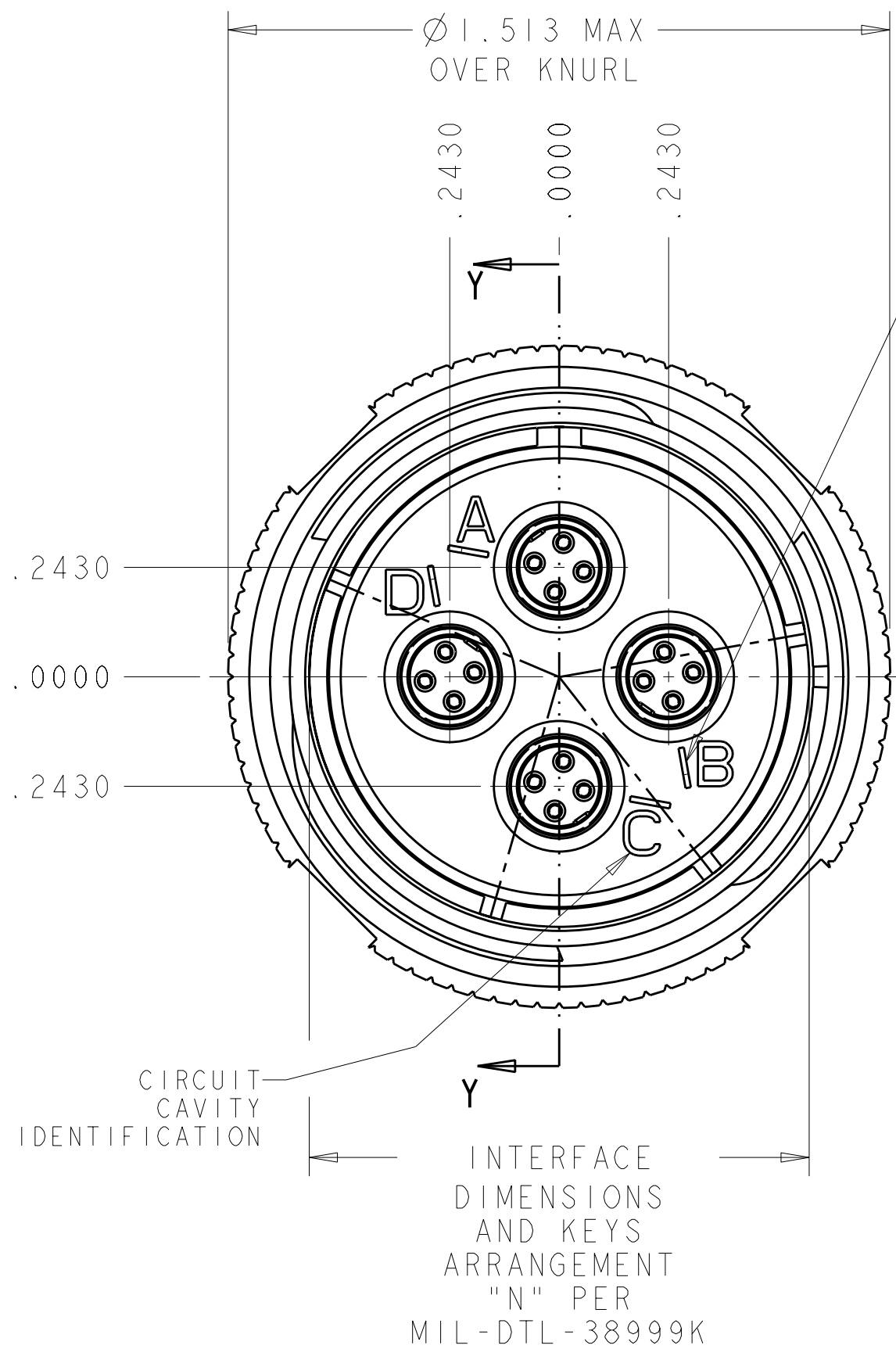


THIS DRAWING IS UNPUBLISHED. RELEASED FOR PUBLICATION 20
 © COPYRIGHT 20 BY TYCO ELECTRONICS CORPORATION. ALL RIGHTS RESERVED.

LOC	DIST	REVISIONS					
DF	A5	P	LTR	DESCRIPTION	DATE	DWN	APVD
		C		REV PER ECO 10-001527	1-29-10	CT	DM



1. THIS CONNECTOR ACCEPTS TYCO ELECTRONICS QUADRAX SOCKET ASSEMBLY; PART NUMBER 1445693-3.

2. PART IS MARKED WITH CUSTOMER PART NO. (SEE TABLE, TYCO ELECTRONICS LOGO OR TE, TE CAGE CODE (00779) AND DATE CODE.

3. TO CALCULATE WEIGHT OF PARTIALLY POPULATED ASSEMBLY:
 QUADRAX CONTACT WITH SEAL BOOT = 5.2 GRAMS EACH
 QUADRAX EMPTY CAVITY SEAL PLUG = 2.5 GRAMS EACH
 CONNECTOR ASSEMBLY, UNPOPULATED = SEE TABLE

4. CONTACTS ARE INCLUDED UNASSEMBLED FOR 2000516-1, -2, & -3.

5. THE CONNECTOR QUALIFICATION WAS COMPLETED PER TYCO ELECTRONICS 108-2199. QUADRAX CONTACTS ARE QUALIFIED PER 108-2131. REFERENCE TEST REPORTS ARE TYCO ELECTRONICS 501-660 FOR THE CONNECTOR AND 501-574 FOR THE CONTACTS WHICH ARE THE SAME AS ARINC 600-13, DRAFT 2 OF SUPPLEMENT 14 (AIR TRANSPORT AVIONICS EQUIPMENT INTERFACES).

1811293-6	45.0	-----	MA-CR0001-PI9-SB	B	2000516-6
1811293-5	45.0	-----	MA-CR0001-PI9-SA	A	2000516-5
1811293-4	45.0	-----	MA-CR0001-PI9-SN	N	2000516-4
1811293-3	65.0	QTY = 4 Δ	MA-CR0001-PI9-SB	B	2000516-3
1811293-2	65.0	QTY = 4 Δ	MA-CR0001-PI9-SA	A	2000516-2
1811293-1	65.0	QTY = 4 Δ	MA-CR0001-PI9-SN	N	2000516-1
SUPERSEDES PART NUMBER	CONNECTOR ASSEMBLY WEIGHTS (GRAMS) Δ	QUADRAX CONTACT KIT, WITH SEAL BOOT TYCO PART NUMBER 1445693-3	PANASONIC PART NUMBER	SHELL KEYING ARRANGEMENT	PART NUMBER

THIS DRAWING IS A CONTROLLED DOCUMENT FOR TYCO ELECTRONICS CORPORATION IT IS SUBJECT TO CHANGE AND THE CONTROLLING ENGINEERING ORGANIZATION SHOULD BE CONTACTED FOR THE LATEST REVISION.

DWN B. YOHN 31 JUL 2007
 CHK LAWRENCE S. OH 31 JUL 2007
 APVD LAWRENCE S. OH 31 JUL 2007

Tyco Electronics
 Harrisburg, PA 17105-3608

NAME ASSY, PLUG, SIZE 19, 38999 STYLE, W/ 4 QUADRAX CAVITIES COMPOSITE REAR SHELL

SIZE A2 CAGE CODE 00779 DRAWING NO. C-2000516 RESTRICTED TO -

MATERIAL SEE CALLOUTS FINISH SEE CALLOUTS WEIGHT - APPLICATION SPEC - PRODUCT SPEC -

CUSTOMER DRAWING SCALE 3:1 SHEET 1 OF 1 REV C