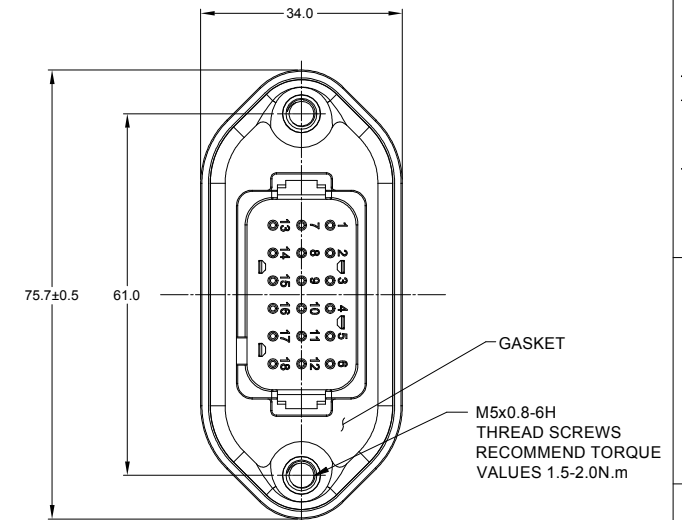
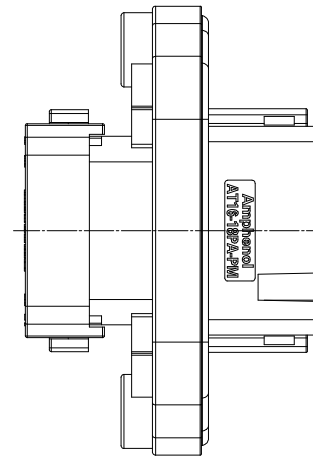
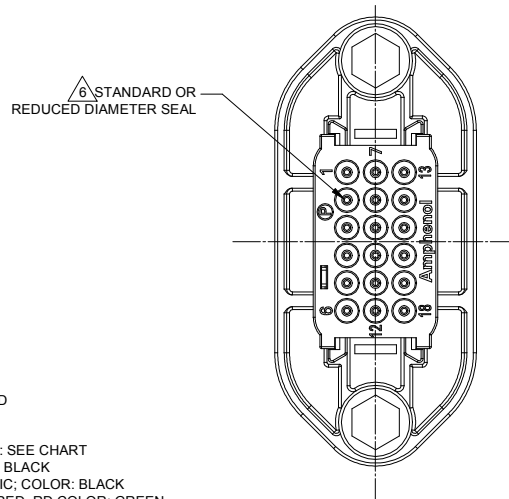
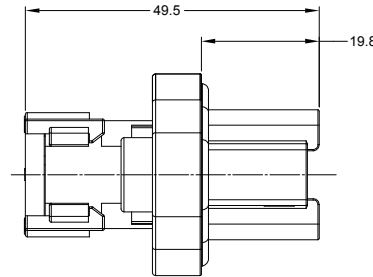


MOUNTING PLATE SIZE



REVISIONS					
REV	ECO	DESCRIPTION	DATE	BY	APPR
A1	-	RELEASE DRAWING	30JUN2020	ZENIN	TOMMY

NOTES: UNLESS OTHERWISE SPECIFIED

- MATERIAL:  
HOUSING: THERMOPLASTIC; COLOR: SEE CHART  
END CAP: THERMOPLASTIC; COLOR: BLACK  
STRAIN RELIEF CAP: THERMOPLASTIC; COLOR: BLACK  
SEALS: SILICONE RUBBER; COLOR: RED, RD COLOR: GREEN
- MODIFICATIONS: FLANGE, GASKET, END CAP, STRAIN RELIEF CAP (OPT), REDUCED DIAMETER SEAL, STANDARD SEAL (OPT).
- SPECIFICATIONS:  
3.1 CURRENT RATING: 13 AMPS  
3.2 OPERATING TEMPERATURE: -55°C TO +125°C  
3.3 DIELECTRIC WITHSTANDING VOLTAGE: LESS THAN 2 MILLIAMPS CURRENT LEAKAGE @ 1500 VOLTS AC.  
3.4 INSULATION RESISTANCE: 1000 MEGOHMS MIN @ 25°C.  
3.5 MOISTURE RESISTANCE:  
IP68(1M OF WATER FOR A PERIOD OF 24 HOURS , MATED CONDITION)  
IP69K(MATED CONDITION)  
3.6 MATING CYCLE DURABILITY: 100 CYCLES  
3.7 RoHS COMPLIANT
- MATING PART: AT16-18SX-\* PLUGS  
( X = A,B,C,D,E KEYS; \* = MODIFICATIONS AND COLORS )
- ALL DIMENSIONS ARE FOR REFERENCE USE ONLY.

CONTACT SIZE AND REAR SEAL WIRE RANGE

REDUCED DIAMETER SEAL:				
CONTACT SIZE	MIN. INSUL O.D.	MAX. INSUL O.D.	TYPICAL WIRE RANGE	
16	1.35 mm (.053 in)	3.05 mm (.120 in)	14 - 20 AWG	
STANDARD SEAL:				
CONTACT SIZE	MIN. INSUL O.D.	MAX. INSUL O.D.	TYPICAL WIRE RANGE	
16	2.24 mm (.088 in)	3.68 mm (.145 in)	14 - 20 AWG	

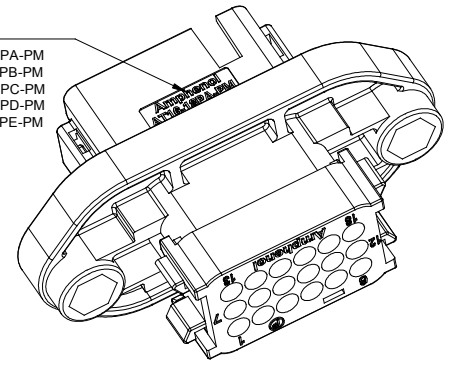
SEE CHART		DESCRIPTION		ITEM
QUANTITY	PART NUMBER	MATERIALS LIST		
UNLESS OTHERWISE SPECIFIED 1) All dimensions are in metric(mm). 2) Tolerances are as follows: 1 PL DEC ±0.30 2 PL DEC ±0.15 3 PL DEC ±0.08 3) Note reference =		SIGNATURES		DATE
DRAWN: ZENIN,DENG		28/JUN/20		
CHECKED: ORIONLI		28/JUN/20		
ENGINEER:				
APPROVAL: TOMMY,XIE		30/JUN/20		
CUSTOMER:				
MATERIAL SPECIFICATIONS:				
PROCESS SPECIFICATIONS:		THIS DRAWING IS SUPPLIED FOR INFORMATION ONLY. DESIGN FEATURES, SPECIFICATIONS AND PERFORMANCE DATA SHOWN HEREON ARE THE PROPERTY OF THE AMPHENOL CORPORATION. NO RIGHTS OF REPRODUCTION ARE IMPLIED. ALL DIMENSIONS ARE SUBJECT TO NORMAL MANUFACTURING VARIATIONS.		
NEXT ASSY:				
		<b>Amphenol</b> Sine Systems - www.amphenol-sine.com 44724 Morley Drive Clinton Township, MI 48036		
		18 POSITION RECEPTACLE, PIN,PANELMATE AT SERIES		
		SIZE TYPE DWG NO: <b>B C-</b> AT16-18PX-PMXX	REVISION <b>A1</b>	
		SCALE NONE	SHEET 1 OF 3	

TITLE: 18 POSITION RECEPTACLE, PIN,PANELMATE AT SERIES  
DWG NO: AT16-18PX-PMXX  
REV: A1  
SH: 1  
OF: 3

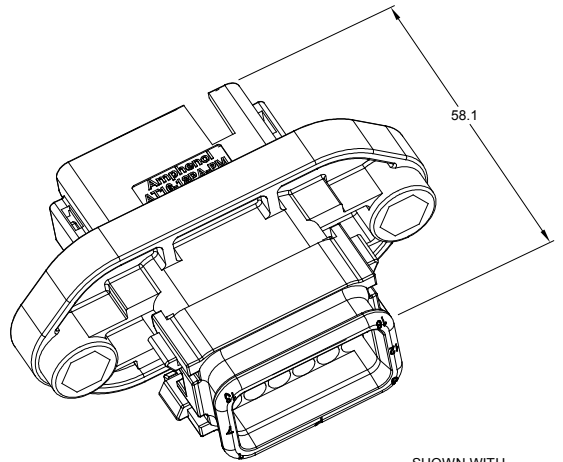
REVISIONS

REV	ECO	DESCRIPTION	DATE	BY	APPR
A1	-	RELEASE DRAWING	30/JUN/20	ZENIN	TOMMY

LOGO AND P/N  
 A-KEYED P/N:AT16-18PA-PM  
 B-KEYED P/N:AT16-18PB-PM  
 C-KEYED P/N:AT16-18PC-PM  
 D-KEYED P/N:AT16-18PD-PM  
 E-KEYED P/N:AT16-18PE-PM

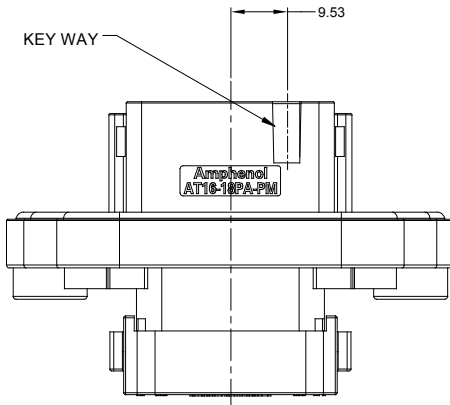


SHOWN WITH  
END CAP



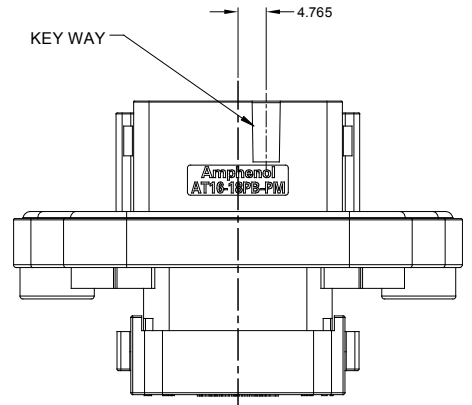
SHOWN WITH  
STRAIN RELIEF

58.1



P/N AT16-18PA-PMXX  
KEY-A CONFIGURATION  
COLOR: GRAY

KEY-A CONFIGURATION		
PART NUMBER	STRAIN RELIEF	SEAL
AT16-18PA-PM11	NO	REDUCED DIA.
AT16-18PA-PM15	YES	REDUCED DIA.
AT16-18PA-PM12	NO	STANDARD
AT16-18PA-PM16	YES	STANDARD



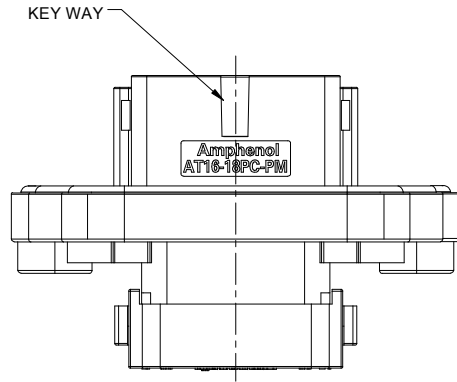
P/N AT16-18PB-PMXX  
KEY-B CONFIGURATION  
COLOR: BLACK

KEY-B CONFIGURATION		
PART NUMBER	STRAIN RELIEF	SEAL
AT16-18PB-PM11	NO	REDUCED DIA.
AT16-18PB-PM15	YES	REDUCED DIA.
AT16-18PB-PM12	NO	STANDARD
AT16-18PB-PM16	YES	STANDARD

QUANTITY	PART NUMBER	DESCRIPTION	ITEM
<b>MATERIALS LIST</b>			
<b>UNLESS OTHERWISE SPECIFIED</b> 1) All dimensions are in metric(mm). 2) Tolerances are as follows: 1 PL DEC ±0.30 Fractions ±1/64 2 PL DEC ±0.15 Angles ±1° 3 PL DEC ±0.08 3) Note reference =		<b>SIGNATURES</b> <b>DATE</b> DRAWN: ZENIN,DENG      28/JUN/20 CHECKED: ORIONLI      29/JUN/20 ENGINEER: APPROVAL: TOMMY,XIE      30/JUN/20 CUSTOMER:	
MATERIAL SPECIFICATIONS:  PROCESS SPECIFICATIONS:		 Sine Systems - www.amphenol-sine.com 44724 Morley Drive Clinton Township, MI 48036	
THIS DRAWING IS SUPPLIED FOR INFORMATION ONLY. DESIGN FEATURES, SPECIFICATIONS AND PERFORMANCE DATA SHOWN HEREON ARE THE PROPERTY OF THE AMPHENOL CORPORATION. NO RIGHTS OF REPRODUCTION ARE IMPLIED. ALL DIMENSIONS ARE SUBJECT TO NORMAL MANUFACTURING VARIATIONS.		18 POSITION RECEPTACLE, PIN,PANELMATE AT SERIES  <b>SIZE</b> TYPE DWG NO: <b>REVISION</b> <b>B C-</b> <b>AT16-18PX-PMXX</b> <b>A1</b>	
NEXT ASSY:	SCALE: NONE	SHEET 2 OF 3	

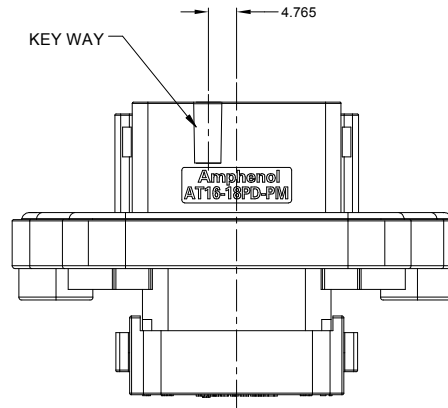
TITLE: 18 POSITION RECEPTACLE, PIN,PANELMATE,AT SERIES  
 DWG NO: AT16-18PX-PMXX  
 REV: A1  
 SH: 2  
 OF: 3

REVISIONS					
REV	ECO	DESCRIPTION	DATE	BY	APPR
A1	-	RELEASE DRAWING	30/JUN/20	ZENIN	TOMMY



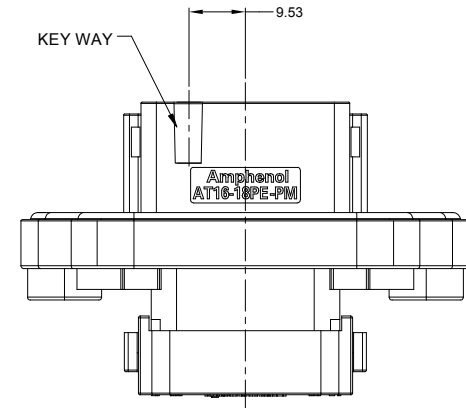
P/N AT16-18PC-PMXX  
KEY-C CONFIGURATION  
COLOR: GREEN

KEY-C CONFIGURATION		
PART NUMBER	STRAIN RELIEF	SEAL
AT16-18PC-PM11	NO	REDUCED DIA.
AT16-18PC-PM15	YES	REDUCED DIA.
AT16-18PC-PM12	NO	STANDARD
AT16-18PC-PM16	YES	STANDARD



P/N AT16-18PD-PMXX  
KEY-D CONFIGURATION  
COLOR: BROWN

KEY-D CONFIGURATION		
PART NUMBER	STRAIN RELIEF	SEAL
AT16-18PD-PM11	NO	REDUCED DIA.
AT16-18PD-PM15	YES	REDUCED DIA.
AT16-18PD-PM12	NO	STANDARD
AT16-18PD-PM16	YES	STANDARD



P/N AT16-18PE-PMXX  
KEY-E CONFIGURATION  
COLOR: GRAY

KEY-E CONFIGURATION		
PART NUMBER	STRAIN RELIEF	SEAL
AT16-18PE-PM11	NO	REDUCED DIA.
AT16-18PE-PM15	YES	REDUCED DIA.
AT16-18PE-PM12	NO	STANDARD
AT16-18PE-PM16	YES	STANDARD

QUANTITY	PART NUMBER	DESCRIPTION	ITEM
<b>MATERIALS LIST</b>			
<b>UNLESS OTHERWISE SPECIFIED</b> 1) All dimensions are in metric(mm). 2) Tolerances are as follows: 1 PL DEC ±0.30 2 PL DEC ±0.15 3 PL DEC ±0.08 Fractions ±1/64 Angles ±1° 3) Note reference =		<b>SIGNATURES</b> <b>DATE</b> DRAWN: ZENIN,DENG      28/JUN/20 CHECKED: ORION,LI      29/JUN/20 ENGINEER: APPROVAL: TOMMY,XIE      30/JUN/20 CUSTOMER:	
MATERIAL SPECIFICATIONS:		<div style="text-align: center;"> <h1>Amphenol</h1> <p>Sine Systems - www.amphenol-sine.com 44724 Morley Drive Clinton Township, MI 48036</p> </div>	
PROCESS SPECIFICATIONS:			
NEXT ASSY:		THIS DRAWING IS SUPPLIED FOR INFORMATION ONLY. DESIGN FEATURES, SPECIFICATIONS AND PERFORMANCE DATA SHOWN HEREON ARE THE PROPERTY OF THE AMPHENOL CORPORATION. NO RIGHTS OF REPRODUCTION ARE IMPLIED. ALL DIMENSIONS ARE SUBJECT TO NORMAL MANUFACTURING VARIATIONS.	
		<b>SIZE</b> TYPE DWG NO: <b>B C-</b> <b>AT16-18PX-PMXX</b> <b>A1</b> <b>SCALE</b> NONE SHEET 3 OF 3	

TITLE: 18 POSITION RECEPTACLE, PIN,PANELMATE,AT SERIES  
 DWG NO: AT16-18PX-PMXX  
 REV: A1  
 SH: 3  
 OF: 3

# A Series™ - Contact Size 16 Options (Works with: AT, ATV, AHD-9, ARC, DuraMate and PanelMate Series)

Machined Contacts, Sockets & Pins				
Part Number	Description	Size	AWG	Type
AT60-215-1631	Male Contact - Pin, Gold-plated	16	14	Machined
AT62-209-1631	Female Contact - Socket, Gold-plated	16	14	Machined
AT60-215-16141	Male Contact - Pin, Nickel-plated	16	14	Machined
AT62-209-16141	Female Contact - Socket, Nickel-plated	16	14	Machined
AT60-202-1631	Male Contact - Pin, Gold-plated	16	16-20	Machined
AT62-201-1631	Female Contact - Socket, Gold-plated	16	16-20	Machined
AT60-202-16141	Male Contact - Pin, Nickel-plated	16	16-20	Machined
AT62-201-16141	Female Contact - Socket, Nickel-plated	16	16-20	Machined
AT60-202-1631-22	Male Contact - Pin, Gold-plated	16	22-24	Machined
AT62-201-1631-22	Female Contact - Socket, Gold-plated	16	22-24	Machined
AT60-202-16141-22	Male Contact - Pin, Nickel-plated	16	22-24	Machined
AT62-201-16141-22	Female Contact - Socket, Nickel-plated	16	22-24	Machined

Tooling - Machined Contacts	
Part Number	Description
AUTK-16	Hand Crimp Tool, Size 16
AUTK-100	Universal Heavy Duty Contact Crimping Tool Kit, Size 12/16/20
CA-5D12	Universal Hand Crimp Tool, Size 12/16/20
CA-5E12	Pneumatic Crimp Tool, Size 12/16/20

Contact Removal Tools (For both Machined or Stamped & Formed Contacts)	
Part Number	Description
ATRT-100	Contact and Wedgelock Extraction Tool
AT11-310-1605	Contact Removal Tool, Plastic, Size 16

Sealing Plugs (For both Machined or Stamped & Formed Contacts)	
Part Number	Description
A114017	Sealing Plug, Size 16, White
A114017-SR	Sealing Plug, Size 16, SR01 Series, Black
AT13-217-1605	Locking Sealing Plug, Size 16, Grey
AT13-217-1605-SR	Locking Sealing Plug, Size 16, SR01 Series, Red

Stamped & Formed Contacts, Sockets & Pins				
Part Number	Description	Size	AWG	Type
AT60-14-0122	Male Contact - Pin, Nickel-plated	16	14-18	Stamped & Formed
AT62-14-0122	Female Contact - Socket, Nickel-plated	16	14-18	Stamped & Formed
AT60-14-0144	Male Contact - Pin, Gold-plated	16	14-18	Stamped & Formed
AT62-14-0144	Female Contact - Socket, Gold-plated	16	14-18	Stamped & Formed
AT60-16-0122	Male Contact - Pin, Nickel-plated	16	16-18	Stamped & Formed
AT62-16-0122	Female Contact - Socket, Nickel-plated	16	16-18	Stamped & Formed
AT60-16-0144	Male Contact - Pin, Gold-plated	16	16-18	Stamped & Formed
AT62-16-0144	Female Contact - Socket, Gold-plated	16	16-18	Stamped & Formed
AT60-16-0622	Male Contact - Pin, Nickel-plated	16	16-20	Stamped & Formed
AT62-16-0622	Female Contact - Socket, Nickel-plated	16	16-20	Stamped & Formed
AT60-16-0644	Male Contact - Pin, Gold-plated	16	16-20	Stamped & Formed
AT62-16-0644	Female Contact - Socket, Gold-plated	16	16-20	Stamped & Formed
AT60-16-0677	Male Contact - Pin, Tin-plated	16	16-20	Stamped & Formed
AT62-16-0677	Female Contact - Socket, Tin-plated	16	16-20	Stamped & Formed
AT60-16-0822	Male Contact - Pin, Nickel-plated	16	20-22	Stamped & Formed
AT62-16-0822	Female Contact - Socket, Nickel-plated	16	20-22	Stamped & Formed
AT60-16-0844	Male Contact - Pin, Gold-plated	16	20-22	Stamped & Formed
AT62-16-0844	Female Contact - Socket, Gold-plated	16	20-22	Stamped & Formed

Tooling - Stamped & Formed Contacts	
MFX-3950	Crimp Die - Size 16, 18-20AWG
MFX-3953	Crimp Die - Size 16, 16-18AWG
MFX-3975	Crimp Die - Size 16, 14-16AWG
MFX-3990	Crimp Die - Size 16, 20-22AWG
ATT-16-00	Hand Crimp Tool - Size 16, 14-16AWG
ATT-16-01	Hand Crimp Tool - Size 16, 18-20AWG
ATT-1612-03	Hand Crimp Tool - Size 16, 20-22AWG