

934446611 ☑ SUPERSEDED

DEUTSCH | DEUTSCH DT-XT

TE Internal #: 1-2600042-7

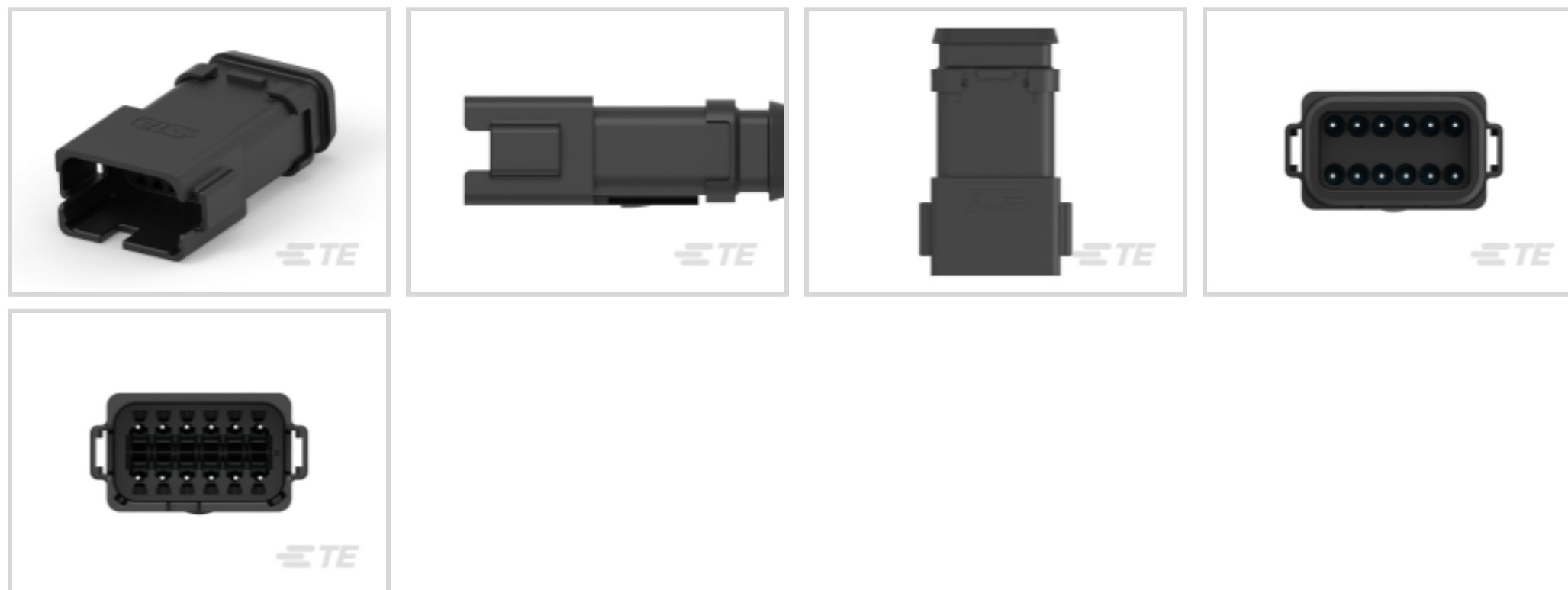
TE Internal Description: 12CCT RECEP BLACK K A W/LARGE SEAL
& HS

DT-XT 12-way Receptacle Connectors

[View on TE.com >](#)



Connectors > Automotive Connectors > Automotive Housings > DT-XT 12-way Receptacle Connectors



Connector System: **Wire-to-Wire**

Number of Positions: **12**

Connector & Housing Type: **Receptacle**

Centerline (Pitch): **4.45 mm [.175 in]**

Sealable: **Yes**

[All DT-XT 12-way Receptacle Connectors \(5\)](#)

Features

Product Type Features

Mixed & Hybrid Connector	No
Connector Shape	Rectangular
Connector System	Wire-to-Wire
Connector & Housing Type	Receptacle
Sealable	Yes
Connector & Contact Terminates To	Wire & Cable
Primary Locking Feature	Integrated in Housing

Configuration Features

Number of Positions	12
Number of Rows	2

Body Features

Primary Product Color	Black
-----------------------	-------

Connector & Keying Code A

Contact Features

Contact Size	Size 16
Mating Pin Diameter	1.56 mm[.061 in]

Mechanical Attachment

Mating Alignment Type	Keyed
Mating Alignment	With
Connector Mounting Type	Cable Mount (Free-Hanging)

Housing Features

Centerline (Pitch)	4.45 mm[.175 in]
--------------------	------------------

Usage Conditions

Operating Temperature (Max)	125 °C[257 °F]
Operating Temperature Range	-55 – 125 °C[-67 – 257 °F]

Other

Connector Position Assurance Capable	No
--------------------------------------	----

Product Compliance

[For compliance documentation, visit the product page on TE.com>](#)

EU RoHS Directive 2011/65/EU	Compliant
EU ELV Directive 2000/53/EC	Compliant
China RoHS 2 Directive MIIT Order No 32, 2016	No Restricted Materials Above Threshold
EU REACH Regulation (EC) No. 1907/2006	Current ECHA Candidate List: JUNE 2023 (235) Candidate List Declared Against: JAN 2023 (233) Does not contain REACH SVHC
Halogen Content	Low Halogen - Br, Cl, F, I < 900 ppm per homogenous material. Also BFR/CFR/PVC Free
Solder Process Capability	Not reviewed for solder process capability

Product Compliance Disclaimer

This information is provided based on reasonable inquiry of our suppliers and represents our current actual knowledge based on the information they provided. This information is subject to change. The part numbers that TE has identified as EU RoHS compliant have a maximum concentration of 0.1% by weight in homogenous materials for lead, hexavalent chromium, mercury, PBB, PBDE, DBP, BBP, DEHP, DIBP, and 0.01% for cadmium, or qualify for an exemption to these limits as defined in the Annexes of Directive 2011/65/EU (RoHS2). Finished electrical and electronic equipment products will be CE marked as required by Directive 2011/65/EU. Components may not be CE marked. Additionally, the part

numbers that TE has identified as EU ELV compliant have a maximum concentration of 0.1% by weight in homogenous materials for lead, hexavalent chromium, and mercury, and 0.01% for cadmium, or qualify for an exemption to these limits as defined in the Annexes of Directive 2000/53/EC (ELV). Regarding the REACH Regulation, the information TE provides on SVHC in articles for this part number is based on the latest European Chemicals Agency (ECHA) 'Guidance on requirements for substances in articles' posted at this URL: <https://echa.europa.eu/guidance-documents/guidance-on-reach>

Also in the Series | DEUTSCH DT-XT



Automotive Housings(57)



Connector Seals & Cavity Plugs(1)

Customers Also Bought



TE Part #788189-2
CPC 17-3 RCPT ASY, REV SEX



TE Part #2-330648-1
PIDG 22-16 22-18 MIL R 4; TAPE



TE Part #2177090-3
STEEL, OUTER FERRULE, 8MM HV,
25SQMM



TE Part #1-1633961-2
CRIMPER, INSULATION F PREMIUM



TE Part #1587940-3
CABLE SEAL RETAINER, SIZE C



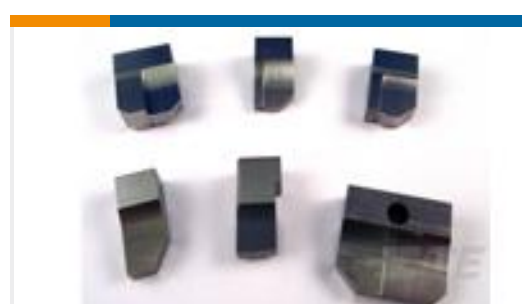
TE Part #2103013-3
CABLE SEAL RETAINER, SIZE 2, OR,
HVA280



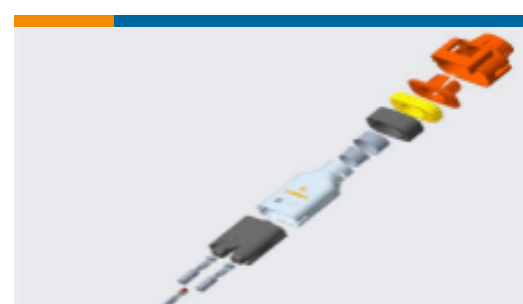
TE Part #2208669-3
8MM HV, CONTACT, ASSY



TE Part #4-1633932-0
ANVIL, COMBINATION



TE Part #464291-5
ANVIL, SAND-BLASTED 12-10



TE Part #YHV280-2PM-P-4MM-B
HVA280-2pnm, pass, 4sqmm, Key B

Documents

[Product Drawings](#)



12CCT RECEP BLACK K A W/LARGE SEAL & HS

English

CAD Files

3D PDF

3D

Customer View Model

[ENG_CVM_CVM_1-2600042-7_1.2d_dxf.zip](#)

English

Customer View Model

[ENG_CVM_CVM_1-2600042-7_1.3d_igs.zip](#)

English

Customer View Model

[ENG_CVM_CVM_1-2600042-7_1.3d_stp.zip](#)

English

By downloading the CAD file I accept and agree to the [Terms and Conditions](#) of use.

Product Specifications

[Application Specification](#)

English

Agency Approvals

[UL Report](#)

English